

MOD2.0

MOD 2.0 PRO

MAIN CHARACTERISTICS

Applications	Street, urban and architectural lighting.
Optic	STE-M/S: Asymmetrical optic for suburban street lighting. STU-M/S: Asymmetrical optic for street, urban and cycle-path lighting. STW: Asymmetrical optic for wide urban and suburban road lighting, specific for wet asphalts. SV/SV2: Asymmetrical optic for narrow urban streets or highway entrance/exit turns. S05: Asymmetrical optic for street, urban and green areas lighting. ASP/ASC: Asymmetrical optics for floodlighting. Colour temperature: 4000K (3000K optional) CRI ≥ 70 Photobiological safety class: EXEMPT GROUP LED source efficiency: 168 lm/W @ 525mA, Tj=85°C, 4000K
Insulation class	II, I
Protection degree	IP66
Dimensions	See the table
Weight	max 9 kg
Exposed surface	Side max 0.05m ² Top max 0.13m ²
Mounting	Wall mounting with integrated fixing accessory.
Tilt Angle	From -90° to +90°
LED Modules	Removable / Replaceable
Gear tray	Removable plate.
Operating temp.	-40°C / +50°C
Storage temperature	-40°C / +80°C
Main reference standards	EN 60598-1, EN 60598-2-3, EN 60598-2-5, EN 62471, EN 55015, EN 61547, EN 61000-3-2, EN 61000-3-3



ELECTRICAL CHARACTERISTICS

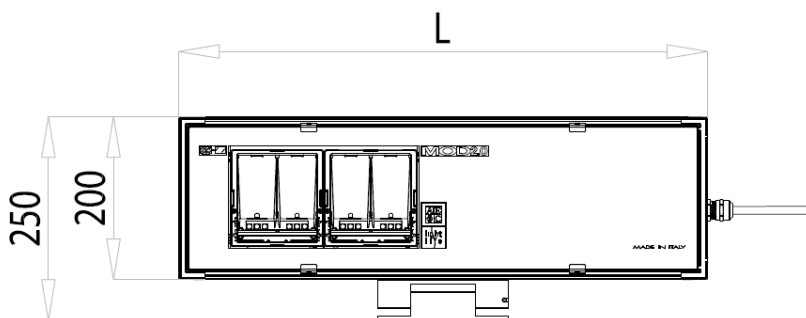
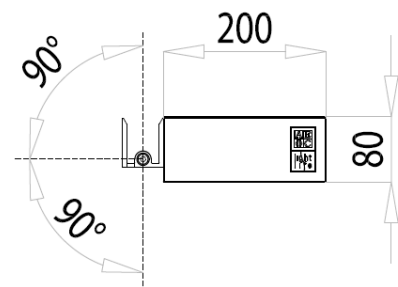
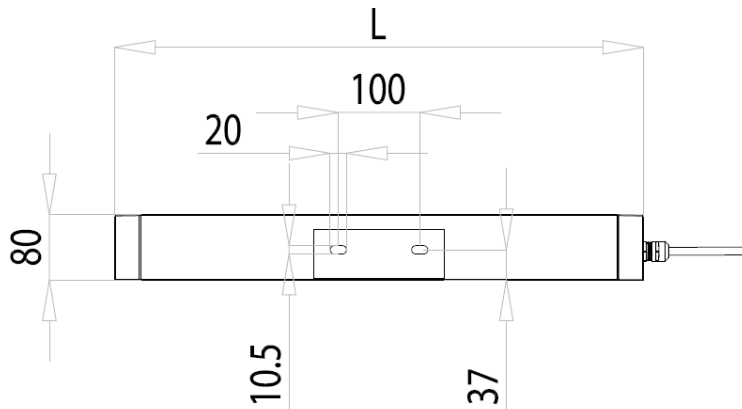
Rated voltage	220÷240V 50/60Hz
Power factor	>0,95 (at full load - F, DA, DAC)
Mains connection	Cable H07RN-F nx1.5mm ² Optional: connector M/F IP66/68 for cables max. 2,5mm ² , Ømax. 14mm
Surge protection	Up to 10kV With SPD (optional) 10kV / 10kV CM/DM
SPD (optional)	10kV-10kA, type 2+3, with LED signal and thermo fuse to disconnect load at the end of life.
Control system (options)	F: Fixed power not dimmable. DA: Automatic dimming (virtual midnight) with default profile. DAC: Custom DA profile. FLC: Constant light flux. DALI: Digital dimming interface DALI. NEMA: Socket 7 pin (ANSI C136.41).
Optical unit lifetime (Tq=25°C, 700mA)	>100.000hr L90B10 >100.000hr L90, TM-21

MATERIALS

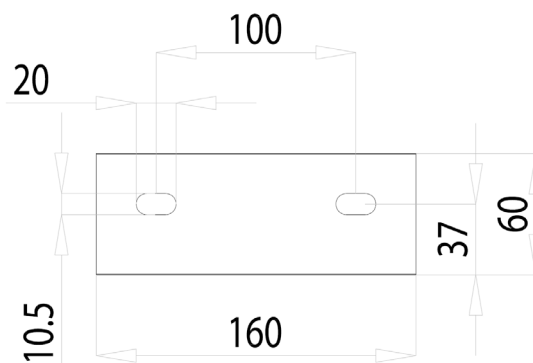
Fixing	Extruded aluminium. Powder painted.
Heat-sink	Extruded aluminium. Powder painted.
Closure hook	Stainless steel springs.
Optic	99.85% aluminium with a surface finish in 99.95% with vacuum-sealed deposition. Aluminium grade class A+ (DIN EN 16268)
Screen	Flat tempered glass, 5mm thickness high transparency.
Cable gland	Metallic M20x1.5 - IP68
Gasket	Polyurethane
Colour	Graphite - Cod. 01

GREENLIGHT

LED MODULES	LUMINAIRE LENGHT L (mm)	PHOTOCELL (NEMA-ZODION)	CABLE
n. 1 module 0F2H1/0F3	535	<input checked="" type="checkbox"/>	0,3 m
n. 2 modules 0F2H1/0F3	535	<input checked="" type="checkbox"/>	0,3 m
n. 3-4 modules 0F2H1/F3	650	<input checked="" type="checkbox"/>	0,3 m
n. 1 module 0F6	535	<input checked="" type="checkbox"/>	0,3 m
n. 2 modules 0F6	650	<input checked="" type="checkbox"/>	0,3 m



BRACKET DETAIL





LUMINAIRE	OPTIC	LED CURRENT (mA)	RATED LUMINAIRE FLUX* (Tq=25°C, 4000K, lm)	RATED LUMINAIRE POWER* (Tq=25°C, Vin=230Vac, F/DA/DAC, W)	LUMINAIRE EFFICACY (Tq=25°C, lm/W)	RATED LED FLUX* (Tj=85°C, 4000K, lm)	RATED LED POWER* (Tj=85°C, W)
MOD 2.0 PRO 0F2H1 4.5-1M	S05 STU-M STU-S SV SV2	525	1880	16	117	2184	13
MOD 2.0 PRO 0F2H1 4.5-2M			3690	30.5	120	4368	26
MOD 2.0 PRO 0F2H1 4.5-3M			5530	44	125	6553	39
MOD 2.0 PRO 0F2H1 4.5-4M			7150	57	125	8737	52
MOD 2.0 PRO 0F2H1 4.7-1M	S05 STU-M STU-S SV SV2	700	2420	21.5	112	2765	17
MOD 2.0 PRO 0F2H1 4.7-2M			4720	40	118	5530	35
MOD 2.0 PRO 0F2H1 4.7-3M			7030	58	121	8295	53
MOD 2.0 PRO 0F2H1 4.7-4M			8990	76	118	11060	71
MOD 2.0 PRO 0F3 4.5-1M	STE-M STE-S STW	525	2610	21.5	121	2950	17
MOD 2.0 PRO 0F3 4.5-2M			5160	39	132	5901	34
MOD 2.0 PRO 0F3 4.5-3M			7490	57	131	8851	52
MOD 2.0 PRO 0F3 4.5-4M			9950	76	130	11802	69
MOD 2.0 PRO 0F3 4.7-1M	STE-M STE-S STW	700	3270	28	116	3735	23
MOD 2.0 PRO 0F3 4.7-2M			6530	52	125	7470	47
MOD 2.0 PRO 0F3 4.7-3M			9420	76	123	11205	71
MOD 2.0 PRO 0F3 4.7-4M			12550	102	123	14940	94

*RATED LUMINAIRE FLUX / RATED LUMINAIRE POWER: Rated data obtained in laboratory.

*RATED LED FLUX / RATED LED POWER: Rated data extrapolated from LED manufacturer datasheet.

Values indicated in this technical sheet are to be considered rated values. Flux tolerance: $\pm 7\%$. Power tolerance: $\pm 5\%$.

The characteristics of the product listed above are subjected to change without notice.



LUMINAIRE	OPTIC	LED CURRENT (mA)	RATED LUMINAIRE FLUX* (Tq=25°C, 4000K, lm)	RATED LUMINAIRE POWER* (Tq=25°C, Vin=230Vac, F/DA/DAC, W)	LUMINAIRE EFFICACY (Tq=25°C, lm/W)	RATED LED FLUX* (Tj=85°C, 4000K, lm)	RATED LED POWER* (Tj=85°C, W)
MOD 2.0 PRO 0F6 4.5-1M	ASC-4W	525	5180	39	132	5901	34
MOD 2.0 PRO 0F6 4.5-2M	ASP-4N ASP-4W		9990	76	131	11802	69
MOD 2.0 PRO 0F6 4.7-1M	ASC-4W	700	6560	52	126	7470	47
MOD 2.0 PRO 0F6 4.7-2M	ASP-4N ASP-4W		12600	102	123	14940	94
MOD 2.0 PRO 0F6 4.5-1M	ASC-5W	525	5090	39	130	5901	34
MOD 2.0 PRO 0F6 4.5-2M	ASP-5N ASP-5W		9810	76	129	11802	69
MOD 2.0 PRO 0F6 4.7-1M	ASC-5W	700	6440	52	123	7470	47
MOD 2.0 PRO 0F6 4.7-2M	ASP-5N ASP-5W		12370	102	121	14940	94
MOD 2.0 PRO 0F6 4.5-1M	ASC-6W	525	5010	39	128	5901	34
MOD 2.0 PRO 0F6 4.5-2M	ASP-6N ASP-6W		9660	76	127	11802	69
MOD 2.0 PRO 0F6 4.7-1M	ASC-6W	700	6340	52	121	7470	47
MOD 2.0 PRO 0F6 4.7-2M	ASP-6N ASP-6W		12190	102	119	14940	94
MOD 2.0 PRO 0F6 4.5-1M	ASC-7W	525	4920	39	126	5901	34
MOD 2.0 PRO 0F6 4.5-2M	ASP-7N ASP-7W		9480	76	124	11802	69
MOD 2.0 PRO 0F6 4.7-1M	ASC-7W	700	6220	52	119	7470	47
MOD 2.0 PRO 0F6 4.7-2M	ASP-7N ASP-7W		11960	102	117	14940	94

*RATED LUMINAIRE FLUX / RATED LUMINAIRE POWER: Rated data obtained in laboratory.

*RATED LED FLUX / RATED LED POWER: Rated data extrapolated from LED manufacturer datasheet.

Values indicated in this technical sheet are to be considered rated values. Flux tolerance: ±7%. Power tolerance: ±5%.

The characteristics of the product listed above are subjected to change without notice.



LUMINAIRE	OPTIC	LED CURRENT (mA)	RATED LUMINAIRE FLUX* (Tq=25°C, 3000K, lm)	RATED LUMINAIRE POWER* (Tq=25°C, Vin=230Vac, F/DA/DAC, W)	LUMINAIRE EFFICACY (Tq=25°C, lm/W)	RATED LED FLUX* (Tj=85°C, 3000K, lm)	RATED LED POWER* (Tj=85°C, W)
MOD 2.0 PRO 0F2H1 3.5-1M	S05 STU-M STU-S SV SV2	525	1750	16	109	1990	13
MOD 2.0 PRO 0F2H1 3.5-2M			3430	30.5	112	3981	26
MOD 2.0 PRO 0F2H1 3.5-3M			5140	44	116	5972	39
MOD 2.0 PRO 0F2H1 3.5-4M			6650	57	116	7963	52
MOD 2.0 PRO 0F2H1 3.7-1M	S05 STU-M STU-S SV SV2	700	2250	21.5	104	2520	17
MOD 2.0 PRO 0F2H1 3.7-2M			4390	40	109	5040	35
MOD 2.0 PRO 0F2H1 3.7-3M			6540	58	112	7560	53
MOD 2.0 PRO 0F2H1 3.7-4M			8360	76	110	10080	71
MOD 2.0 PRO 0F3 3.5-1M	STE-M STE-S STW	525	2430	21.5	113	2701	17
MOD 2.0 PRO 0F3 3.5-2M			4800	39	123	5403	34
MOD 2.0 PRO 0F3 3.5-3M			6970	57	122	8105	52
MOD 2.0 PRO 0F3 3.5-4M			9250	76	121	10807	69
MOD 2.0 PRO 0F3 3.7-1M	STE-M STE-S STW	700	3040	28	108	3420	23
MOD 2.0 PRO 0F3 3.7-2M			6070	52	116	6840	47
MOD 2.0 PRO 0F3 3.7-3M			8760	76	115	10260	71
MOD 2.0 PRO 0F3 3.7-4M			11670	102	114	13680	94

*RATED LUMINAIRE FLUX / RATED LUMINAIRE POWER: Rated data obtained in laboratory.

*RATED LED FLUX / RATED LED POWER: Rated data extrapolated from LED manufacturer datasheet.

Values indicated in this technical sheet are to be considered rated values. Flux tolerance: $\pm 7\%$. Power tolerance: $\pm 5\%$.

The characteristics of the product listed above are subjected to change without notice.



LUMINAIRE	OPTIC	LED CURRENT (mA)	RATED LUMINAIRE FLUX* (Tq=25°C, 3000K, lm)	RATED LUMINAIRE POWER* (Tq=25°C, Vin=230Vac, F/DA/DAC, W)	LUMINAIRE EFFICACY (Tq=25°C, lm/W)	RATED LED FLUX* (Tj=85°C, 3000K, lm)	RATED LED POWER* (Tj=85°C, W)
MOD 2.0 PRO 0F6 3.5-1M	ASC-4W	525	4820	39	123	5403	34
MOD 2.0 PRO 0F6 3.5-2M	ASP-4N ASP-4W		9290	76	122	10807	69
MOD 2.0 PRO 0F6 3.7-1M	ASC-4W	700	6090	52	117	6840	47
MOD 2.0 PRO 0F6 3.7-2M	ASP-4N ASP-4W		11720	102	114	13680	94
MOD 2.0 PRO 0F6 3.5-1M	ASC-5W	525	4730	39	121	5403	34
MOD 2.0 PRO 0F6 3.5-2M	ASP-5N ASP-5W		9120	76	120	10807	69
MOD 2.0 PRO 0F6 3.7-1M	ASC-5W	700	5980	52	115	6840	47
MOD 2.0 PRO 0F6 3.7-2M	ASP-5N ASP-5W		11500	102	112	13680	94
MOD 2.0 PRO 0F6 3.5-1M	ASC-6W	525	4660	39	119	5403	34
MOD 2.0 PRO 0F6 3.5-2M	ASP-6N ASP-6W		8980	76	118	10807	69
MOD 2.0 PRO 0F6 3.7-1M	ASC-6W	700	5900	52	113	6840	47
MOD 2.0 PRO 0F6 3.7-2M	ASP-6N ASP-6W		11340	102	111	13680	94
MOD 2.0 PRO 0F6 3.5-1M	ASC-7W	525	4570	39	117	5403	34
MOD 2.0 PRO 0F6 3.5-2M	ASP-7N ASP-7W		8810	76	115	10807	69
MOD 2.0 PRO 0F6 3.7-1M	ASC-7W	700	5780	52	111	6840	47
MOD 2.0 PRO 0F6 3.7-2M	ASP-7N ASP-7W		11120	102	109	13680	94

*RATED LUMINAIRE FLUX / RATED LUMINAIRE POWER: Rated data obtained in laboratory.

*RATED LED FLUX / RATED LED POWER: Rated data extrapolated from LED manufacturer datasheet.

Values indicated in this technical sheet are to be considered rated values. Flux tolerance: ±7%. Power tolerance: ±5%.

The characteristics of the product listed above are subjected to change without notice.