



ALO

ALO 3

MAIN CHARACTERISTICS

Applications	Wide area lighting and sports facilities.
Optic	AM10 / AN10 / AW10 / ASM / ASW / A25: Asymmetrical optic for projection. Colour temperature: 4000K, CRI ≥ 70 3000K, CRI ≥ 70 optional LED source efficiency: 165 lm/W @ 350mA, T _j =85°C, 4000K
Insulation class	I
Protection degree	IP66 IK08 total
Dimensions	See the drawing
Weight	max 28 kg (excluded gear tray)
Exposed surface	Side: 0.083 m ² – Top: 0.34 m ² (excluded gear tray) SCx: 0.24 m ²
Mounting	Installation with C bracket or MICROMOOVER.
Tilt Angle	C bracket: +20° ÷ +75° on horizontal plane with steps graduated in 5° controlled steps. Micro-adjustment with slots ±2.5° (0.5° step) for intermediate values to the main adjustment. MICROMOOVER: +20° ÷ +75° on horizontal plane. Micro-adjustment 0/+10° for intermediate values to the main setting. Adjustment on vertical axis: ±180°.
Gear tray	Remote. (Power supply size 500x150 H=120mm - Weight: 6.2 kg). Optional: mounting over luminaire body with integrated flanges (only with C bracket version).
Operating temp.	-40°C / +50°C
Storage temperature	-40°C / +80°C
Main reference standards	EN 60598-1, EN 60598-2-3, EN 60598-2-5, IEC 62471, EN 55015, EN 61547, EN 61000-3-2, EN 61000-3-3



ELECTRICAL CHARACTERISTICS

Rated voltage	220÷400V 50/60Hz (Standard tolerance +/-10%, other voltages and tolerances upon request)
Power factor	>0,9 (at full load)
Flicker factor (FF)	< 3%
Mains connection	On terminal block for cables max. section 4mm ²
Surge protection	Up to 10kV
Control system (options)	F: Fixed power not dimmable. DAC: Automatic dimming (virtual midnight) with custom profile. FLC: Constant light flux. DALI: Digital dimming interface DALI.
Optical unit lifetime (T_q=25°C, 650mA)	>100.000hr L80B10

MATERIALS

Fixing	Die-cast aluminum UNI EN1706 powder painted.
Body - Heat-sink	Single piece of die-cast aluminium UNI EN1706 powder painted.
Screen frame	Galvanised and painted steel with stainless steel springs.
Optic	Polycarbonate.
Screen	Flat tempered glass, 5mm thickness high transparency.
Cable gland	Metallic M25 x 1.5 - IP68
Gasket	Silicone
Colour	Matt satin grey RAL 7004 - Cod. 7J

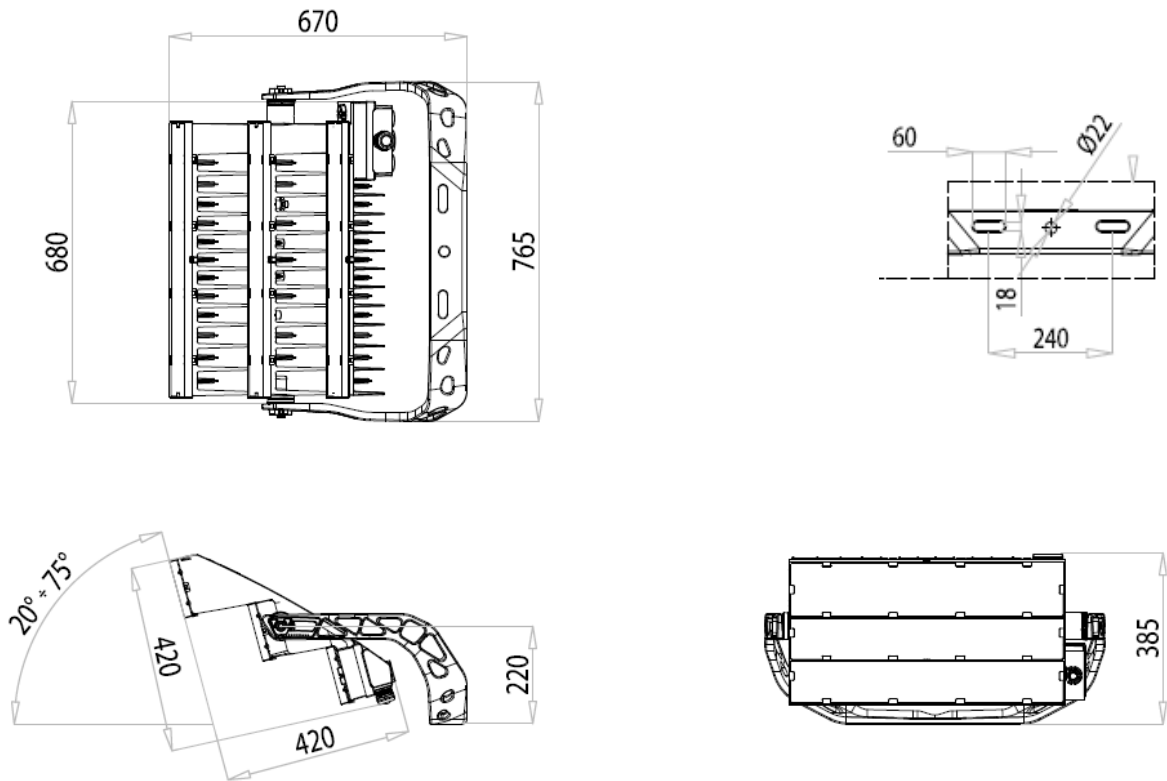
OPTIONAL

ES	External Shield – upward emission shield.
Power supply support	Support for integrated power supply mounting on floodlight (only with C bracket version).

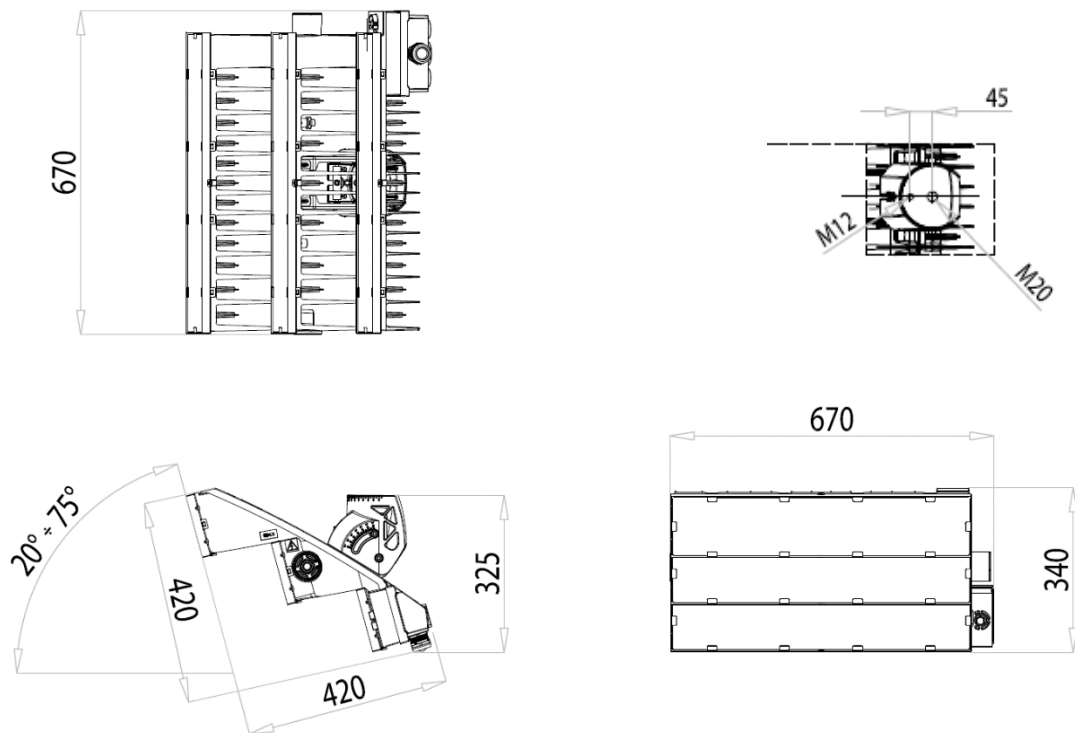


DIMENSIONAL DRAWINGS

ALO with C bracket



ALO with MICROMØVER



ALO 3 2AB10 WIDE AREA – 7040

LUMINAIRE	OPTIC	LED CURRENT (mA)	RATED LUMINAIRE FLUX* (Tq=25°C, 4000K, lm)	RATED LUMINAIRE POWER* (Tq=25°C, Vin=230Vac, F, W)	LUMINAIRE EFFICACY (Tq=25°C, lm/W)	RATED LED FLUX* (Tj=85°C, 4000K, lm)	RATED LED POWER* (Tj=85°C, W)
ALO 3 2AB10 7040.350-66M	A25 ASM	350	93600	700	133	113100	635
ALO 3 2AB10 7040.400-66M		400	104750	800	130	128100	730
ALO 3 2AB10 7040.450-66M		450	116450	900	129	142700	830
ALO 3 2AB10 7040.500-66M		500	127150	1000	127	157100	930
ALO 3 2AB10 7040.550-66M		550	138400	1100	125	171200	1035
ALO 3 2AB10 7040.600-66M		600	147850	1200	123	185100	1135
ALO 3 2AB10 7040.650-66M		650	157100	1300	120	198700	1240
ALO 3 2AB10 7040.350-66M ES	A25 ASM	350	88950	700	127	113100	635
ALO 3 2AB10 7040.400-66M ES		400	99500	800	124	128100	730
ALO 3 2AB10 7040.450-66M ES		450	110600	900	122	142700	830
ALO 3 2AB10 7040.500-66M ES		500	120800	1000	120	157100	930
ALO 3 2AB10 7040.550-66M ES		550	131450	1100	119	171200	1035
ALO 3 2AB10 7040.600-66M ES		600	140500	1200	117	185100	1135
ALO 3 2AB10 7040.650-66M ES		650	149250	1300	114	198700	1240

*RATED LUMINAIRE FLUX / RATED LUMINAIRE POWER: Rated data obtained in laboratory.

*RATED LED FLUX / RATED LED POWER: Rated data extrapolated from LED manufacturer datasheet.

Values indicated in this technical sheet are to be considered rated values. Flux tolerance: $\pm 7\%$. Power tolerance: $\pm 10\%$.

The characteristics of the product listed above are subjected to change without notice.

Performance data for other operating temperatures (OT) and other combinations of CRI and CCT available on request.

There may be current limitations depending on the operating temperature. See dedicated section on following pages.

LUMINAIRE	OPTIC	LED CURRENT (mA)	RATED LUMINAIRE FLUX* (Tq=25°C, 4000K, lm)	RATED LUMINAIRE POWER* (Tq=25°C, Vin=230Vac, F, W)	LUMINAIRE EFFICACY (Tq=25°C, lm/W)	RATED LED FLUX* (Tj=85°C, 4000K, lm)	RATED LED POWER* (Tj=85°C, W)
ALO 3 2AB10 7040.350-66M	ASW	350	92650	700	132	113100	635
ALO 3 2AB10 7040.400-66M		400	103600	800	129	128100	730
ALO 3 2AB10 7040.450-66M		450	115300	900	128	142700	830
ALO 3 2AB10 7040.500-66M		500	125800	1000	125	157100	930
ALO 3 2AB10 7040.550-66M		550	136950	1100	124	171200	1035
ALO 3 2AB10 7040.600-66M		600	146350	1200	121	185100	1135
ALO 3 2AB10 7040.650-66M		650	155450	1300	119	198700	1240
ALO 3 2AB10 7040.350-66M ES	ASW	350	88050	700	125	113100	635
ALO 3 2AB10 7040.400-66M ES		400	98400	800	123	128100	730
ALO 3 2AB10 7040.450-66M ES		450	109500	900	121	142700	830
ALO 3 2AB10 7040.500-66M ES		500	119500	1000	119	157100	930
ALO 3 2AB10 7040.550-66M ES		550	130100	1100	118	171200	1035
ALO 3 2AB10 7040.600-66M ES		600	139000	1200	115	185100	1135
ALO 3 2AB10 7040.650-66M ES		650	147650	1300	113	198700	1240

*RATED LUMINAIRE FLUX / RATED LUMINAIRE POWER: Rated data obtained in laboratory.

*RATED LED FLUX / RATED LED POWER: Rated data extrapolated from LED manufacturer datasheet.

Values indicated in this technical sheet are to be considered rated values. Flux tolerance: $\pm 7\%$. Power tolerance: $\pm 10\%$.

The characteristics of the product listed above are subjected to change without notice.

Performance data for other operating temperatures (OT) and other combinations of CRI and CCT available on request.

There may be current limitations depending on the operating temperature. See dedicated section on following pages.

LUMINAIRE	OPTIC	LED CURRENT (mA)	RATED LUMINAIRE FLUX* (Tq=25°C, 4000K, lm)	RATED LUMINAIRE POWER* (Tq=25°C, Vin=230Vac, F, W)	LUMINAIRE EFFICACY (Tq=25°C, lm/W)	RATED LED FLUX* (Tj=85°C, 4000K, lm)	RATED LED POWER* (Tj=85°C, W)
ALO 3 2AB10 7040.350-66M	AM10	350	89750	700	128	113100	635
ALO 3 2AB10 7040.400-66M		400	100350	800	125	128100	730
ALO 3 2AB10 7040.450-66M		450	111600	900	124	142700	830
ALO 3 2AB10 7040.500-66M		500	121850	1000	121	157100	930
ALO 3 2AB10 7040.550-66M		550	132600	1100	120	171200	1035
ALO 3 2AB10 7040.600-66M		600	141700	1200	118	185100	1135
ALO 3 2AB10 7040.650-66M		650	150500	1300	115	198700	1240
ALO 3 2AB10 7040.350-66M ES	AM10	350	82550	700	117	113100	635
ALO 3 2AB10 7040.400-66M ES		400	92350	800	115	128100	730
ALO 3 2AB10 7040.450-66M ES		450	102700	900	114	142700	830
ALO 3 2AB10 7040.500-66M ES		500	112100	1000	112	157100	930
ALO 3 2AB10 7040.550-66M ES		550	122000	1100	110	171200	1035
ALO 3 2AB10 7040.600-66M ES		600	130400	1200	108	185100	1135
ALO 3 2AB10 7040.650-66M ES		650	138500	1300	106	198700	1240

*RATED LUMINAIRE FLUX / RATED LUMINAIRE POWER: Rated data obtained in laboratory.

*RATED LED FLUX / RATED LED POWER: Rated data extrapolated from LED manufacturer datasheet.

Values indicated in this technical sheet are to be considered rated values. Flux tolerance: $\pm 7\%$. Power tolerance: $\pm 10\%$.

The characteristics of the product listed above are subjected to change without notice.

Performance data for other operating temperatures (OT) and other combinations of CRI and CCT available on request.

There may be current limitations depending on the operating temperature. See dedicated section on following pages.

LUMINAIRE	OPTIC	LED CURRENT (mA)	RATED LUMINAIRE FLUX* (Tq=25°C, 4000K, lm)	RATED LUMINAIRE POWER* (Tq=25°C, Vin=230Vac, F, W)	LUMINAIRE EFFICACY (Tq=25°C, lm/W)	RATED LED FLUX* (Tj=85°C, 4000K, lm)	RATED LED POWER* (Tj=85°C, W)
ALO 3 2AB10 7040.350-66M	AN10	350	89750	700	128	113100	635
ALO 3 2AB10 7040.400-66M		400	100350	800	125	128100	730
ALO 3 2AB10 7040.450-66M		450	111600	900	124	142700	830
ALO 3 2AB10 7040.500-66M		500	121850	1000	121	157100	930
ALO 3 2AB10 7040.550-66M		550	132600	1100	120	171200	1035
ALO 3 2AB10 7040.600-66M		600	141700	1200	118	185100	1135
ALO 3 2AB10 7040.650-66M		650	150500	1300	115	198700	1240
ALO 3 2AB10 7040.350-66M ES	AN10	350	85200	700	121	113100	635
ALO 3 2AB10 7040.400-66M ES		400	95300	800	119	128100	730
ALO 3 2AB10 7040.450-66M ES		450	106050	900	117	142700	830
ALO 3 2AB10 7040.500-66M ES		500	115750	1000	115	157100	930
ALO 3 2AB10 7040.550-66M ES		550	126000	1100	114	171200	1035
ALO 3 2AB10 7040.600-66M ES		600	134600	1200	112	185100	1135
ALO 3 2AB10 7040.650-66M ES		650	143000	1300	110	198700	1240

*RATED LUMINAIRE FLUX / RATED LUMINAIRE POWER: Rated data obtained in laboratory.

*RATED LED FLUX / RATED LED POWER: Rated data extrapolated from LED manufacturer datasheet.

Values indicated in this technical sheet are to be considered rated values. Flux tolerance: $\pm 7\%$. Power tolerance: $\pm 10\%$.

The characteristics of the product listed above are subjected to change without notice.

Performance data for other operating temperatures (OT) and other combinations of CRI and CCT available on request.

There may be current limitations depending on the operating temperature. See dedicated section on following pages.

LUMINAIRE	OPTIC	LED CURRENT (mA)	RATED LUMINAIRE FLUX* (Tq=25°C, 4000K, lm)	RATED LUMINAIRE POWER* (Tq=25°C, Vin=230Vac, F, W)	LUMINAIRE EFFICACY (Tq=25°C, lm/W)	RATED LED FLUX* (Tj=85°C, 4000K, lm)	RATED LED POWER* (Tj=85°C, W)
ALO 3 2AB10 7040.350-66M	AW10	350	89750	700	128	113100	635
ALO 3 2AB10 7040.400-66M		400	100350	800	125	128100	730
ALO 3 2AB10 7040.450-66M		450	111600	900	124	142700	830
ALO 3 2AB10 7040.500-66M		500	121850	1000	121	157100	930
ALO 3 2AB10 7040.550-66M		550	132600	1100	120	171200	1035
ALO 3 2AB10 7040.600-66M		600	141700	1200	118	185100	1135
ALO 3 2AB10 7040.650-66M		650	150500	1300	115	198700	1240
ALO 3 2AB10 7040.350-66M ES	AW10	350	84300	700	120	113100	635
ALO 3 2AB10 7040.400-66M ES		400	94300	800	117	128100	730
ALO 3 2AB10 7040.450-66M ES		450	104950	900	116	142700	830
ALO 3 2AB10 7040.500-66M ES		500	114550	1000	114	157100	930
ALO 3 2AB10 7040.550-66M ES		550	124650	1100	113	171200	1035
ALO 3 2AB10 7040.600-66M ES		600	133250	1200	111	185100	1135
ALO 3 2AB10 7040.650-66M ES		650	141500	1300	108	198700	1240

*RATED LUMINAIRE FLUX / RATED LUMINAIRE POWER: Rated data obtained in laboratory.

*RATED LED FLUX / RATED LED POWER: Rated data extrapolated from LED manufacturer datasheet.

Values indicated in this technical sheet are to be considered rated values. Flux tolerance: $\pm 7\%$. Power tolerance: $\pm 10\%$.

The characteristics of the product listed above are subjected to change without notice.

Performance data for other operating temperatures (OT) and other combinations of CRI and CCT available on request.

There may be current limitations depending on the operating temperature. See dedicated section on following pages.

Temperature by Geographic Area

Geographic Area	Country	Hottest month Average Ta (°C)	Suggested OT (°C)	Geographic Area	Country	Hottest month Average Ta (°C)	Suggested OT (°C)
America	Argentina	28	30	EU	Austria	26	25
America	Brazil	28	30	EU	Bosnia Herzegovina	34	35
America	Canada	25	25	EU	Denmark	21	20
America	Chile	30	30	EU	Estonia	21	20
America	Colombia	19	20	EU	Finland	20	20
America	Mexico	27	30	EU	France (Lyon)	28	30
America	Perù	27	30	EU	France (Marseille)	30	30
America	USA (Arizona)	40	40	EU	France (Parigi)	25	25
America	USA (New York)	29	30	EU	Germany	25	25
Asia/Oceania	Australia	27	30	EU	Greece	33	35
Asia/Oceania	South Korea	30	30	EU	Ireland	19	20
Asia/Oceania	Philippines	34	35	EU	Iceland	14	15
Asia/Oceania	Hong Kong	32	35	EU	Canary Islands	28	30
Asia/Oceania	India	36	35	EU	Italy	30	30
Asia/Oceania	Malaysia	33	35	EU	Liechtenstein	24	25
Asia/Oceania	New Zealand	23	25	EU	Lithuania	23	25
Asia/Oceania	Pakistan	34	35	EU	Luxembourg	24	25
Asia/Oceania	Russia	24	25	EU	Malta	32	35
Asia/Oceania	Singapore	32	35	EU	Norway	21	20
Asia/Oceania	Taiwan	34	35	EU	Netherlands	20	20
Asia/Oceania	Vietnam	34	35	EU	Poland	24	25
EMEA	Saudi Arabia	43	45	EU	Portugal	29	30
EMEA	Bahrain	39	40	EU	Czech Republic	25	25
EMEA	Egypt	35	35	EU	Romania	30	30
EMEA	Jordan	32	35	EU	Scotland	19	20
EMEA	Israel	30	30	EU	Slovenia	27	30
EMEA	Kuwait	46	50	EU	Spain (Madrid)	33	35
EMEA	Libanon	30	30	EU	Spain (Malaga)	31	30
EMEA	Morocco	27	30	EU	Spain (Barcelona)	32	35
EMEA	Oman	38	40	EU	Sweden (Goteborg)	21	20
EMEA	Qatar	42	45	EU	Sweden (Borlänge)	23	25
EMEA	UAE (Abu Dhabi)	40	40	EU	Switzerland	25	25
				EU	Turkey (Ankara)	31	30
				EU	Ukraine (Kiev)	26	25
				EU	UK	20	20

Maximum Current for Operating Temperature

WIDE AREA							
Temperature (°C)	OT20	OT25	OT30	OT35	OT40	OT45	OT50
Asymmetrical Optics Max. Current (mA)	650	650	650	600	550	500	450