

ALO 2

MAIN CHARACTERISTICS

Applications	Wide area lighting and sports facilities.
Optic	AM10 / AN10 / AW10 / ASM / ASW / A25: Asymmetrical optic for projection. Colour temperature: 4000K, CRI ≥ 70 3000K, CRI ≥ 70 optional LED source efficiency: 165 lm/W @ 350mA, Tj=85°C, 4000K
Insulation class	I
Protection degree	IP66 IK08 total
Dimensions	See the drawing
Weight	max 22.5 kg (excluded gear tray)
Exposed surface	Side: 0.056 m ² – Top: 0.26 m ² (excluded gear tray) SCx: 0.2 m ²
Mounting	Installation with C bracket or MICROMOOVER.
Tilt Angle	C bracket: +20° ÷ +75° on horizontal plane with steps graduated in 5° controlled steps. Micro-adjustment with slots ±2.5° (0.5° step) for intermediate values to the main adjustment. MICROMOOVER: +20° ÷ +75° on horizontal plane. Micro-adjustment 0/+10° for intermediate values to the main setting. Adjustment on vertical axis: ±180°.
Gear tray	Remote. (Power supply size 335x144mm H=60mm (x2) - Weight: 3,4 kg (x2)). Optional: mounting over luminaire body with integrated flanges (only with C bracket version).
Operating temp.	-40°C / +50°C
Storage temperature	-40°C / +80°C
Main reference standards	EN 60598-1, EN 60598-2-3, EN 60598-2-5, IEC 62471, EN 55015, EN 61547, EN 61000-3-2, EN 61000-3-3



ELECTRICAL CHARACTERISTICS

Rated voltage	220÷480V 50/60Hz (Standard tolerance +/-10%, other voltages and tolerances upon request)
Power factor	>0,9 (at full load)
Flicker factor (FF)	< 3%
Mains connection	On terminal block for cables max. section 4mm ²
Surge protection	Up to 10kV
Control system (options)	F: Fixed power not dimmable. DAC: Automatic dimming (virtual midnight) with custom profile. FLC: Constant light flux. DALI: Digital dimming interface DALI.
Optical unit lifetime (Tq=25°C, 650mA)	>100.000hr L80B10

MATERIALS

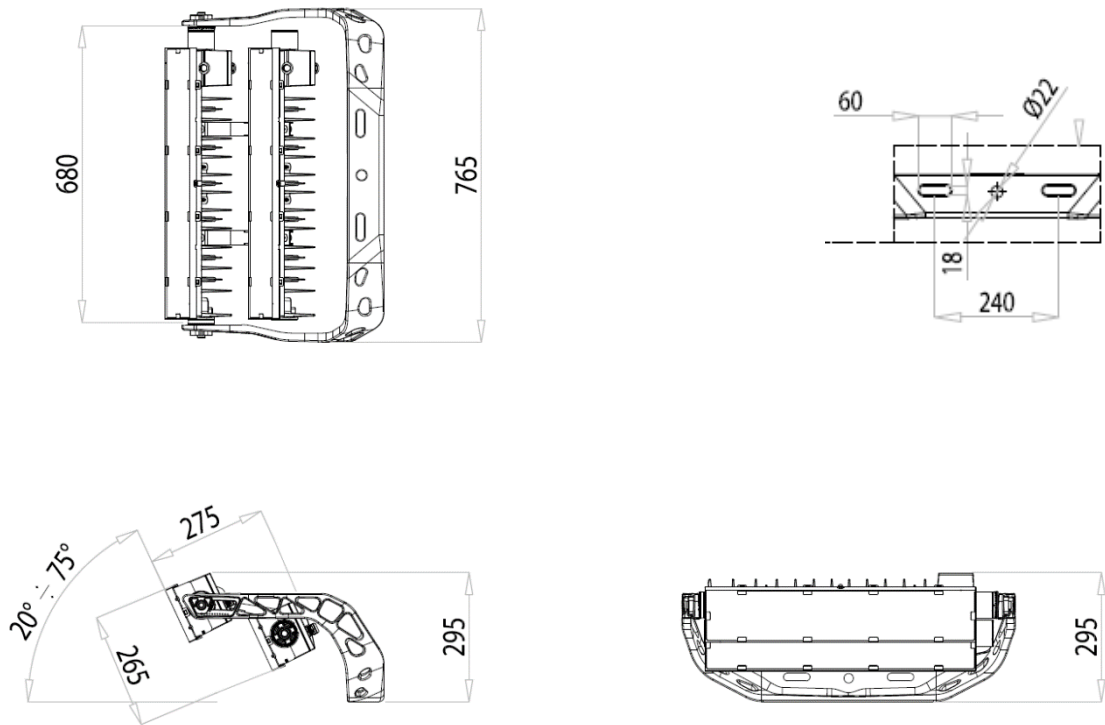
Fixing	Die-cast aluminum UNI EN1706 powder painted.
Body - Heat-sink	Die-cast aluminum UNI EN1706 powder painted.
Screen frame	Galvanised and painted steel with stainless steel springs.
Optic	Polycarbonate.
Screen	Flat tempered glass, 5mm thickness high transparency.
Cable gland	Metallic M25 x 1.5 - IP68
Gasket	Silicone
Colour	Matt satin grey RAL 7004 - Cod. 7J

OPTIONAL

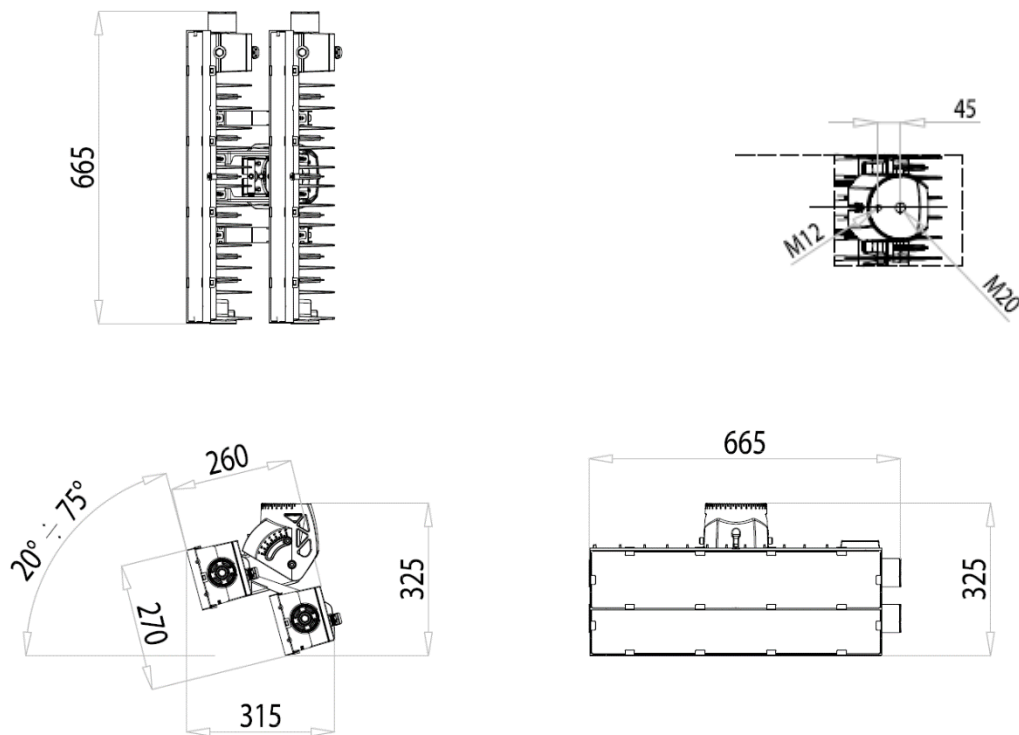
ES	External Shield – upward emission shield.
Power supply support	Support for integrated power supply mounting on floodlight (only with C bracket version).

DIMENSIONAL DRAWINGS

ALO with C bracket



ALO with MICROMOVER



ALO 2 2AB10 WIDE AREA – 7040

LUMINAIRE	OPTIC	LED CURRENT (mA)	RATED LUMINAIRE FLUX* (Tq=25°C, 4000K, lm)	RATED LUMINAIRE POWER* (Tq=25°C, Vin=230Vac, F, W)	LUMINAIRE EFFICACY (Tq=25°C, lm/W)	RATED LED FLUX* (Tj=85°C, 4000K, lm)	RATED LED POWER* (Tj=85°C, W)
ALO 2 2AB10 7040.350-44M	A25 ASM	350	62700	480	130	75400	425
ALO 2 2AB10 7040.400-44M		400	70150	550	127	85400	485
ALO 2 2AB10 7040.450-44M		450	78000	620	125	95100	555
ALO 2 2AB10 7040.500-44M		500	85150	690	123	104700	620
ALO 2 2AB10 7040.550-44M		550	92750	760	122	114100	690
ALO 2 2AB10 7040.600-44M		600	99050	830	119	123400	755
ALO 2 2AB10 7040.650-44M		650	105250	900	116	132500	825
ALO 2 2AB10 7040.350-44M ES	A25 ASM	350	59550	480	124	75400	425
ALO 2 2AB10 7040.400-44M ES		400	66650	550	121	85400	485
ALO 2 2AB10 7040.450-44M ES		450	74100	620	119	95100	555
ALO 2 2AB10 7040.500-44M ES		500	80950	690	117	104700	620
ALO 2 2AB10 7040.550-44M ES		550	88150	760	115	114100	690
ALO 2 2AB10 7040.600-44M ES		600	94150	830	113	123400	755
ALO 2 2AB10 7040.650-44M ES		650	100000	900	111	132500	825

*RATED LUMINAIRE FLUX / RATED LUMINAIRE POWER: Rated data obtained in laboratory.

*RATED LED FLUX / RATED LED POWER: Rated data extrapolated from LED manufacturer datasheet.

Values indicated in this technical sheet are to be considered rated values. Flux tolerance: ±7%. Power tolerance: ±10%.

The characteristics of the product listed above are subjected to change without notice.

Performance data for other operating temperatures (OT) and other combinations of CRI and CCT available on request.

There may be current limitations depending on the operating temperature. See dedicated section on following pages.

LUMINAIRE	OPTIC	LED CURRENT (mA)	RATED LUMINAIRE FLUX* (Tq=25°C, 4000K, lm)	RATED LUMINAIRE POWER* (Tq=25°C, Vin=230Vac, F, W)	LUMINAIRE EFFICACY (Tq=25°C, lm/W)	RATED LED FLUX* (Tj=85°C, 4000K, lm)	RATED LED POWER* (Tj=85°C, W)
ALO 2 2AB10 7040.350-44M	ASW	350	62050	480	129	75400	425
ALO 2 2AB10 7040.400-44M		400	69450	550	126	85400	485
ALO 2 2AB10 7040.450-44M		450	77200	620	124	95100	555
ALO 2 2AB10 7040.500-44M		500	84300	690	122	104700	620
ALO 2 2AB10 7040.550-44M		550	91750	760	120	114100	690
ALO 2 2AB10 7040.600-44M		600	98050	830	118	123400	755
ALO 2 2AB10 7040.650-44M		650	104150	900	115	132500	825
ALO 2 2AB10 7040.350-44M ES	ASW	350	58950	480	122	75400	425
ALO 2 2AB10 7040.400-44M ES		400	66000	550	120	85400	485
ALO 2 2AB10 7040.450-44M ES		450	73350	620	118	95100	555
ALO 2 2AB10 7040.500-44M ES		500	80100	690	116	104700	620
ALO 2 2AB10 7040.550-44M ES		550	87150	760	114	114100	690
ALO 2 2AB10 7040.600-44M ES		600	93150	830	112	123400	755
ALO 2 2AB10 7040.650-44M ES		650	98950	900	109	132500	825

*RATED LUMINAIRE FLUX / RATED LUMINAIRE POWER: Rated data obtained in laboratory.

*RATED LED FLUX / RATED LED POWER: Rated data extrapolated from LED manufacturer datasheet.

Values indicated in this technical sheet are to be considered rated values. Flux tolerance: $\pm 7\%$. Power tolerance: $\pm 10\%$.

The characteristics of the product listed above are subjected to change without notice.

Performance data for other operating temperatures (OT) and other combinations of CRI and CCT available on request.

There may be current limitations depending on the operating temperature. See dedicated section on following pages.

LUMINAIRE	OPTIC	LED CURRENT (mA)	RATED LUMINAIRE FLUX* (Tq=25°C, 4000K, lm)	RATED LUMINAIRE POWER* (Tq=25°C, Vin=230Vac, F, W)	LUMINAIRE EFFICACY (Tq=25°C, lm/W)	RATED LED FLUX* (Tj=85°C, 4000K, lm)	RATED LED POWER* (Tj=85°C, W)
ALO 2 2AB10 7040.350-44M	AM10	350	60100	480	125	75400	425
ALO 2 2AB10 7040.400-44M		400	67250	550	122	85400	485
ALO 2 2AB10 7040.450-44M		450	74800	620	120	95100	555
ALO 2 2AB10 7040.500-44M		500	81600	690	118	104700	620
ALO 2 2AB10 7040.550-44M		550	88900	760	116	114100	690
ALO 2 2AB10 7040.600-44M		600	94900	830	114	123400	755
ALO 2 2AB10 7040.650-44M		650	100850	900	112	132500	825
ALO 2 2AB10 7040.350-44M ES	AM10	350	55300	480	115	75400	425
ALO 2 2AB10 7040.400-44M ES		400	61850	550	112	85400	485
ALO 2 2AB10 7040.450-44M ES		450	68800	620	110	95100	555
ALO 2 2AB10 7040.500-44M ES		500	75100	690	108	104700	620
ALO 2 2AB10 7040.550-44M ES		550	81800	760	107	114100	690
ALO 2 2AB10 7040.600-44M ES		600	87350	830	105	123400	755
ALO 2 2AB10 7040.650-44M ES		650	92800	900	103	132500	825

*RATED LUMINAIRE FLUX / RATED LUMINAIRE POWER: Rated data obtained in laboratory.

*RATED LED FLUX / RATED LED POWER: Rated data extrapolated from LED manufacturer datasheet.

Values indicated in this technical sheet are to be considered rated values. Flux tolerance: $\pm 7\%$. Power tolerance: $\pm 10\%$.

The characteristics of the product listed above are subjected to change without notice.

Performance data for other operating temperatures (OT) and other combinations of CRI and CCT available on request.

There may be current limitations depending on the operating temperature. See dedicated section on following pages.

LUMINAIRE	OPTIC	LED CURRENT (mA)	RATED LUMINAIRE FLUX* (Tq=25°C, 4000K, lm)	RATED LUMINAIRE POWER* (Tq=25°C, Vin=230Vac, F, W)	LUMINAIRE EFFICACY (Tq=25°C, lm/W)	RATED LED FLUX* (Tj=85°C, 4000K, lm)	RATED LED POWER* (Tj=85°C, W)
ALO 2 2AB10 7040.350-44M	AN10	350	60100	480	125	75400	425
ALO 2 2AB10 7040.400-44M		400	67250	550	122	85400	485
ALO 2 2AB10 7040.450-44M		450	74800	620	120	95100	555
ALO 2 2AB10 7040.500-44M		500	81600	690	118	104700	620
ALO 2 2AB10 7040.550-44M		550	88900	760	116	114100	690
ALO 2 2AB10 7040.600-44M		600	94900	830	114	123400	755
ALO 2 2AB10 7040.650-44M		650	100850	900	112	132500	825
ALO 2 2AB10 7040.350-44M ES	AN10	350	57100	480	118	75400	425
ALO 2 2AB10 7040.400-44M ES		400	63900	550	116	85400	485
ALO 2 2AB10 7040.450-44M ES		450	71000	620	114	95100	555
ALO 2 2AB10 7040.500-44M ES		500	77550	690	112	104700	620
ALO 2 2AB10 7040.550-44M ES		550	84450	760	111	114100	690
ALO 2 2AB10 7040.600-44M ES		600	90150	830	108	123400	755
ALO 2 2AB10 7040.650-44M ES		650	95800	900	106	132500	825

*RATED LUMINAIRE FLUX / RATED LUMINAIRE POWER: Rated data obtained in laboratory.

*RATED LED FLUX / RATED LED POWER: Rated data extrapolated from LED manufacturer datasheet.

Values indicated in this technical sheet are to be considered rated values. Flux tolerance: $\pm 7\%$. Power tolerance: $\pm 10\%$.

The characteristics of the product listed above are subjected to change without notice.

Performance data for other operating temperatures (OT) and other combinations of CRI and CCT available on request.

There may be current limitations depending on the operating temperature. See dedicated section on following pages.

LUMINAIRE	OPTIC	LED CURRENT (mA)	RATED LUMINAIRE FLUX* (Tq=25°C, 4000K, lm)	RATED LUMINAIRE POWER* (Tq=25°C, Vin=230Vac, F, W)	LUMINAIRE EFFICACY (Tq=25°C, lm/W)	RATED LED FLUX* (Tj=85°C, 4000K, lm)	RATED LED POWER* (Tj=85°C, W)
ALO 2 2AB10 7040.350-44M	AW10	350	60100	480	125	75400	425
ALO 2 2AB10 7040.400-44M		400	67250	550	122	85400	485
ALO 2 2AB10 7040.450-44M		450	74800	620	120	95100	555
ALO 2 2AB10 7040.500-44M		500	81600	690	118	104700	620
ALO 2 2AB10 7040.550-44M		550	88900	760	116	114100	690
ALO 2 2AB10 7040.600-44M		600	94900	830	114	123400	755
ALO 2 2AB10 7040.650-44M		650	100850	900	112	132500	825
ALO 2 2AB10 7040.350-44M ES	AW10	350	56500	480	117	75400	425
ALO 2 2AB10 7040.400-44M ES		400	63250	550	115	85400	485
ALO 2 2AB10 7040.450-44M ES		450	70300	620	113	95100	555
ALO 2 2AB10 7040.500-44M ES		500	76750	690	111	104700	620
ALO 2 2AB10 7040.550-44M ES		550	83550	760	109	114100	690
ALO 2 2AB10 7040.600-44M ES		600	89250	830	107	123400	755
ALO 2 2AB10 7040.650-44M ES		650	94800	900	105	132500	825

*RATED LUMINAIRE FLUX / RATED LUMINAIRE POWER: Rated data obtained in laboratory.

*RATED LED FLUX / RATED LED POWER: Rated data extrapolated from LED manufacturer datasheet.

Values indicated in this technical sheet are to be considered rated values. Flux tolerance: $\pm 7\%$. Power tolerance: $\pm 10\%$.

The characteristics of the product listed above are subjected to change without notice.

Performance data for other operating temperatures (OT) and other combinations of CRI and CCT available on request.

There may be current limitations depending on the operating temperature. See dedicated section on following pages.

Temperature by Geographic Area

Geographic Area	Country	Hottest month Average Ta (°C)	Suggested OT (°C)	Geographic Area	Country	Hottest month Average Ta (°C)	Suggested OT (°C)
America	Argentina	28	30	EU	Austria	26	25
America	Brazil	28	30	EU	Bosnia Herzegovina	34	35
America	Canada	25	25	EU	Denmark	21	20
America	Chile	30	30	EU	Estonia	21	20
America	Colombia	19	20	EU	Finland	20	20
America	Mexico	27	30	EU	France (Lyon)	28	30
America	Perù	27	30	EU	France (Marseille)	30	30
America	USA (Arizona)	40	40	EU	France (Parigi)	25	25
America	USA (New York)	29	30	EU	Germany	25	25
Asia/Oceania	Australia	27	30	EU	Greece	33	35
Asia/Oceania	South Korea	30	30	EU	Ireland	19	20
Asia/Oceania	Philippines	34	35	EU	Iceland	14	15
Asia/Oceania	Hong Kong	32	35	EU	Canary Islands	28	30
Asia/Oceania	India	36	35	EU	Italy	30	30
Asia/Oceania	Malaysia	33	35	EU	Liechtenstein	24	25
Asia/Oceania	New Zealand	23	25	EU	Lithuania	23	25
Asia/Oceania	Pakistan	34	35	EU	Luxembourg	24	25
Asia/Oceania	Russia	24	25	EU	Malta	32	35
Asia/Oceania	Singapore	32	35	EU	Norway	21	20
Asia/Oceania	Taiwan	34	35	EU	Netherlands	20	20
Asia/Oceania	Vietnam	34	35	EU	Poland	24	25
EMEA	Saudi Arabia	43	45	EU	Portugal	29	30
EMEA	Bahrain	39	40	EU	Czech Republic	25	25
EMEA	Egypt	35	35	EU	Romania	30	30
EMEA	Jordan	32	35	EU	Scotland	19	20
EMEA	Israel	30	30	EU	Slovenia	27	30
EMEA	Kuwait	46	50	EU	Spain (Madrid)	33	35
EMEA	Libanon	30	30	EU	Spain (Malaga)	31	30
EMEA	Morocco	27	30	EU	Spain (Barcelona)	32	35
EMEA	Oman	38	40	EU	Sweden (Goteborg)	21	20
EMEA	Qatar	42	45	EU	Sweden (Borlänge)	23	25
EMEA	UAE (Abu Dhabi)	40	40	EU	Switzerland	25	25
				EU	Turkey (Ankara)	31	30
				EU	Ukraine (Kiev)	26	25
				EU	UK	20	20

Maximum Current for Operating Temperature

WIDE AREA							
Temperature (°C)	OT20	OT25	OT30	OT35	OT40	OT45	OT50
Asymmetrical Optics Max. Current (mA)	650	650	650	600	550	500	450