

## ALO 2

### MAIN CHARACTERISTICS

<b>Applications</b>	Wide area lighting and sports facilities.
<b>Optic</b>	SP15 / SP25 / SP40 / SP55: Symmetrical optic for projection. AM10 / AN10 / AW10 / ASM / ASW / A25: Asymmetrical optic for projection. Colour temperature: 5700K, CRI ≥ 70 (CRI 80, CRI 90 optional) 4000K, 3000K, CRI ≥ 70 optional LED source efficiency: 165 lm/W @ 350mA, Tj=85°C, 5700K
<b>Insulation class</b>	I
<b>Protection degree</b>	IP66   IK08 total
<b>Dimensions</b>	See the drawing
<b>Weight</b>	max 22.5 kg (excluded gear tray)
<b>Exposed surface</b>	Side: 0.056 m <sup>2</sup> – Top: 0.26 m <sup>2</sup> (excluded gear tray)   SCx: 0.2 m <sup>2</sup>
<b>Mounting</b>	Installation with C bracket or MICROMOOVER.
<b>Tilt Angle</b>	C bracket: +20° ÷ +75° on horizontal plane with steps graduated in 5° controlled steps. Micro-adjustment with slots ±2.5° (0.5° step) for intermediate values to the main adjustment. MICROMOOVER: +20° ÷ +75° on horizontal plane. Micro-adjustment 0/+10° for intermediate values to the main setting. Adjustment on vertical axis: ±180°.
<b>Gear tray</b>	Remote. (Power supply size 335x144mm H=60mm (x2) - Weight: 3,4 kg (x2)). Optional: mounting over luminaire body with integrated flanges (only with C bracket version).
<b>Operating temp.</b>	-40°C / +50°C
<b>Storage temperature</b>	-40°C / +80°C
<b>Main reference standards</b>	EN 60598-1, EN 60598-2-3, EN 60598-2-5, IEC 62471, EN 55015, EN 61547, EN 61000-3-2, EN 61000-3-3



### ELECTRICAL CHARACTERISTICS

<b>Rated voltage</b>	220÷480V 50/60Hz (Standard tolerance +/-10%, other voltages and tolerances upon request)
<b>Power factor</b>	>0,9 (at full load)
<b>Flicker factor (FF)</b>	< 3%
<b>Mains connection</b>	On terminal block for cables max. section 4mm <sup>2</sup>
<b>Surge protection</b>	Up to 10kV
<b>Control system (options)</b>	F: Fixed power not dimmable. FLC: Constant light flux. DALI: Digital dimming interface DALI.
<b>Optical unit lifetime (Tq=25°C, 800mA)</b>	>50.000hr L80B10

### MATERIALS

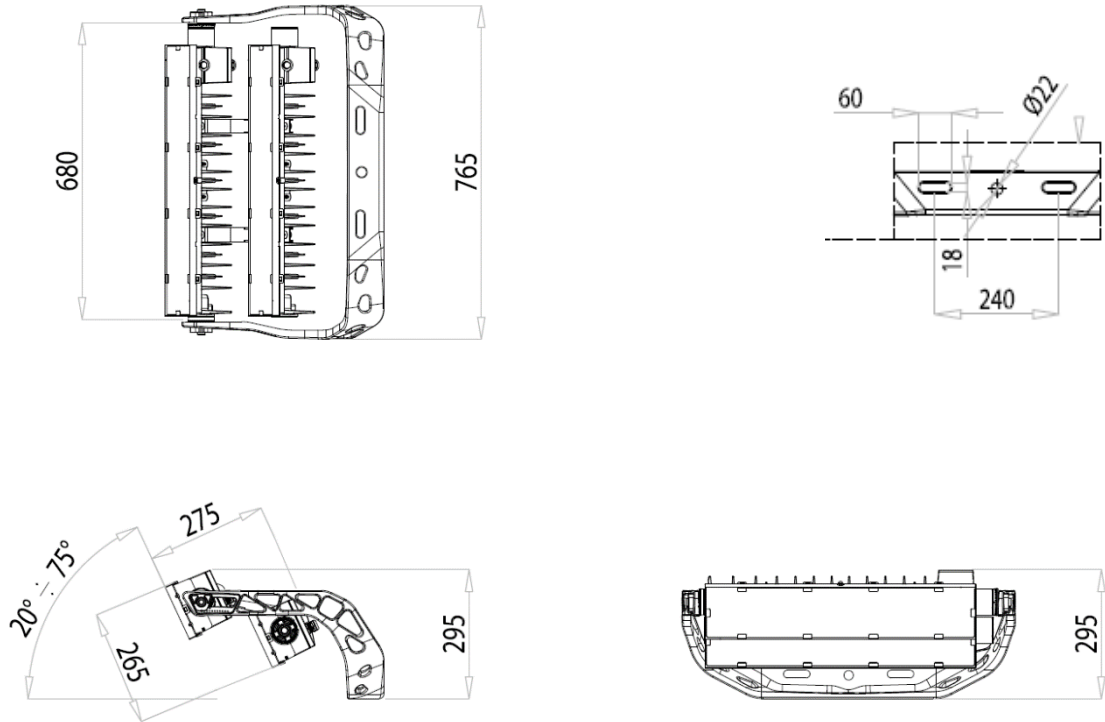
<b>Fixing</b>	Die-cast aluminum UNI EN1706 powder painted.
<b>Body - Heat-sink</b>	Die-cast aluminum UNI EN1706 powder painted.
<b>Screen frame</b>	Galvanised and painted steel with stainless steel springs.
<b>Optic</b>	Polycarbonate.
<b>Screen</b>	Flat tempered glass, 5mm thickness high transparency.
<b>Cable gland</b>	Metallic M25 x 1.5 - IP68
<b>Gasket</b>	Silicone
<b>Colour</b>	Matt satin grey RAL 7004 - Cod. 7J

### OPTIONAL

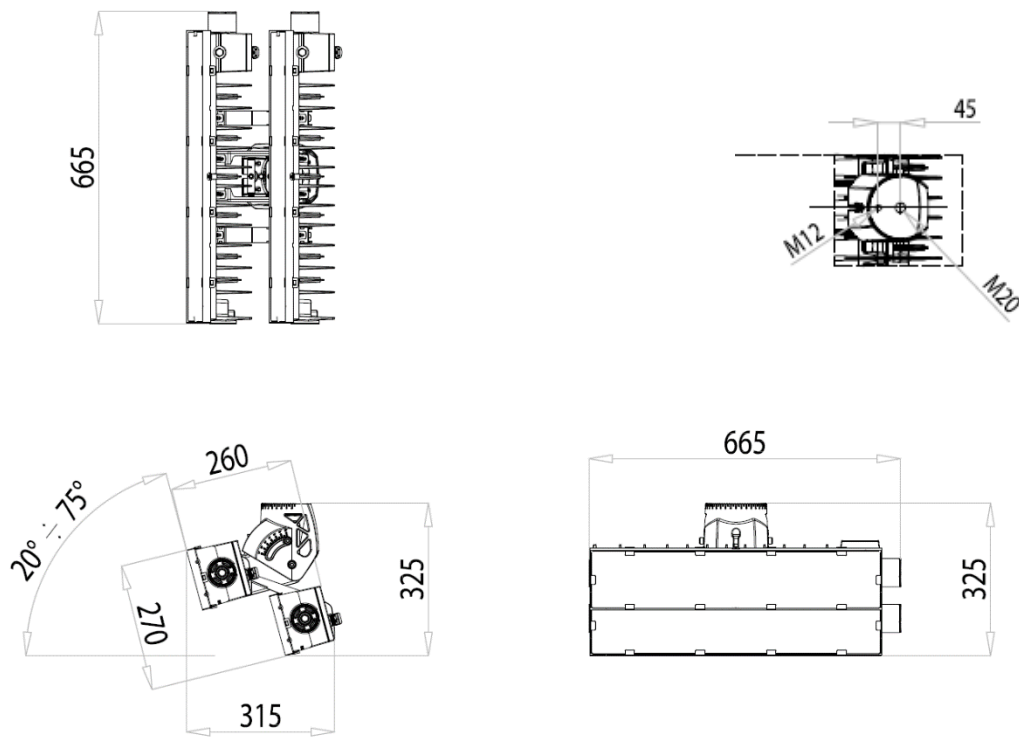
<b>ES</b>	External Shield – upward emission shield.
<b>Red Dot Sight</b>	Pointer for spot adjustments.
<b>Power supply support</b>	Support for integrated power supply mounting on floodlight (only with C bracket version).

**DIMENSIONAL DRAWINGS**

**ALO with C bracket**



**ALO with MICROMOVER**



## ALO 2 2AB10 SPORT LIGHTING – 7057 OT25

LUMINAIRE	OPTIC	LED CURRENT (mA)	RATED LUMINAIRE FLUX* (Tq=25°C, 5700K, lm)	RATED LUMINAIRE POWER* (Tq=25°C, Vin=230Vac, F, W)	LUMINAIRE EFFICACY (Tq=25°C, lm/W)	RATED LED FLUX* (Tj=85°C, 5700K, lm)	RATED LED POWER* (Tj=85°C, W)
ALO 2 2AB10 7057.350-44M OT25	SP15 SP25	350	65350	480	136	75400	425
ALO 2 2AB10 7057.400-44M OT25		400	73100	550	132	85400	485
ALO 2 2AB10 7057.450-44M OT25		450	81300	620	131	95100	555
ALO 2 2AB10 7057.500-44M OT25		500	88700	690	128	104700	620
ALO 2 2AB10 7057.550-44M OT25		550	96550	760	127	114100	690
ALO 2 2AB10 7057.600-44M OT25		600	103200	830	124	123400	755
ALO 2 2AB10 7057.650-44M OT25		650	109600	900	121	132500	825
ALO 2 2AB10 7057.700-44M OT25		700	115650	960	120	141400	895
ALO 2 2AB10 7057.750-44M OT25		750	121300	1020	118	150100	965
ALO 2 2AB10 7057.800-44M OT25		800	126050	1090	115	158800	1035
ALO 2 2AB10 7057.350-44M OT25	SP40 SP55	350	59150	480	123	75400	425
ALO 2 2AB10 7057.400-44M OT25		400	66150	550	120	85400	485
ALO 2 2AB10 7057.450-44M OT25		450	73550	620	118	95100	555
ALO 2 2AB10 7057.500-44M OT25		500	80300	690	116	104700	620
ALO 2 2AB10 7057.550-44M OT25		550	87400	760	115	114100	690
ALO 2 2AB10 7057.600-44M OT25		600	93400	830	112	123400	755
ALO 2 2AB10 7057.650-44M OT25		650	99200	900	110	132500	825
ALO 2 2AB10 7057.700-44M OT25		700	104700	960	109	141400	895
ALO 2 2AB10 7057.750-44M OT25		750	109800	1020	107	150100	965
ALO 2 2AB10 7057.800-44M OT25		800	114050	1090	104	158800	1035

\*RATED LUMINAIRE FLUX / RATED LUMINAIRE POWER: Rated data obtained in laboratory.

\*RATED LED FLUX / RATED LED POWER: Rated data extrapolated from LED manufacturer datasheet.

Values indicated in this technical sheet are to be considered rated values. Flux tolerance:  $\pm 7\%$ . Power tolerance:  $\pm 10\%$ .

The characteristics of the product listed above are subjected to change without notice.

**Performance data for other operating temperatures (OT) and other combinations of CRI and CCT available on request.**

**There may be current limitations depending on the operating temperature. See dedicated section on following pages.**

LUMINAIRE	OPTIC	LED CURRENT (mA)	RATED LUMINAIRE FLUX* (Tq=25°C, 5700K, lm)	RATED LUMINAIRE POWER* (Tq=25°C, Vin=230Vac, F, W)	LUMINAIRE EFFICACY (Tq=25°C, lm/W)	RATED LED FLUX* (Tj=85°C, 5700K, lm)	RATED LED POWER* (Tj=85°C, W)
ALO 2 2AB10 7057.350-44M OT25	A25 ASM	350	62700	480	130	75400	425
ALO 2 2AB10 7057.400-44M OT25		400	70150	550	127	85400	485
ALO 2 2AB10 7057.450-44M OT25		450	78000	620	125	95100	555
ALO 2 2AB10 7057.500-44M OT25		500	85150	690	123	104700	620
ALO 2 2AB10 7057.550-44M OT25		550	92750	760	122	114100	690
ALO 2 2AB10 7057.600-44M OT25		600	99050	830	119	123400	755
ALO 2 2AB10 7057.650-44M OT25		650	105250	900	116	132500	825
ALO 2 2AB10 7057.700-44M OT25		700	111050	960	115	141400	895
ALO 2 2AB10 7057.750-44M OT25		750	116500	1020	114	150100	965
ALO 2 2AB10 7057.350-44M ES OT25		A25 ASM	350	59550	480	124	75400
ALO 2 2AB10 7057.400-44M ES OT25	400		66650	550	121	85400	485
ALO 2 2AB10 7057.450-44M ES OT25	450		74100	620	119	95100	555
ALO 2 2AB10 7057.500-44M ES OT25	500		80950	690	117	104700	620
ALO 2 2AB10 7057.550-44M ES OT25	550		88150	760	115	114100	690
ALO 2 2AB10 7057.600-44M ES OT25	600		94150	830	113	123400	755
ALO 2 2AB10 7057.650-44M ES OT25	650		100000	900	111	132500	825
ALO 2 2AB10 7057.700-44M ES OT25	700		105450	960	109	141400	895
ALO 2 2AB10 7057.750-44M ES OT25	750		110650	1020	108	150100	965

\*RATED LUMINAIRE FLUX / RATED LUMINAIRE POWER: Rated data obtained in laboratory.

\*RATED LED FLUX / RATED LED POWER: Rated data extrapolated from LED manufacturer datasheet.

Values indicated in this technical sheet are to be considered rated values. Flux tolerance:  $\pm 7\%$ . Power tolerance:  $\pm 10\%$ .

The characteristics of the product listed above are subjected to change without notice.

**Performance data for other operating temperatures (OT) and other combinations of CRI and CCT available on request.**

**There may be current limitations depending on the operating temperature. See dedicated section on following pages.**

LUMINAIRE	OPTIC	LED CURRENT (mA)	RATED LUMINAIRE FLUX* (Tq=25°C, 5700K, lm)	RATED LUMINAIRE POWER* (Tq=25°C, Vin=230Vac, F, W)	LUMINAIRE EFFICACY (Tq=25°C, lm/W)	RATED LED FLUX* (Tj=85°C, 5700K, lm)	RATED LED POWER* (Tj=85°C, W)
ALO 2 2AB10 7057.350-44M OT25	ASW	350	62050	480	129	75400	425
ALO 2 2AB10 7057.400-44M OT25		400	69450	550	126	85400	485
ALO 2 2AB10 7057.450-44M OT25		450	77200	620	124	95100	555
ALO 2 2AB10 7057.500-44M OT25		500	84300	690	122	104700	620
ALO 2 2AB10 7057.550-44M OT25		550	91750	760	120	114100	690
ALO 2 2AB10 7057.600-44M OT25		600	98050	830	118	123400	755
ALO 2 2AB10 7057.650-44M OT25		650	104150	900	115	132500	825
ALO 2 2AB10 7057.700-44M OT25		700	109850	960	114	141400	895
ALO 2 2AB10 7057.750-44M OT25		750	115300	1020	113	150100	965
ALO 2 2AB10 7057.350-44M ES OT25		ASW	350	58950	480	122	75400
ALO 2 2AB10 7057.400-44M ES OT25	400		66000	550	120	85400	485
ALO 2 2AB10 7057.450-44M ES OT25	450		73350	620	118	95100	555
ALO 2 2AB10 7057.500-44M ES OT25	500		80100	690	116	104700	620
ALO 2 2AB10 7057.550-44M ES OT25	550		87150	760	114	114100	690
ALO 2 2AB10 7057.600-44M ES OT25	600		93150	830	112	123400	755
ALO 2 2AB10 7057.650-44M ES OT25	650		98950	900	109	132500	825
ALO 2 2AB10 7057.700-44M ES OT25	700		104350	960	108	141400	895
ALO 2 2AB10 7057.750-44M ES OT25	750		109500	1020	107	150100	965

\*RATED LUMINAIRE FLUX / RATED LUMINAIRE POWER: Rated data obtained in laboratory.

\*RATED LED FLUX / RATED LED POWER: Rated data extrapolated from LED manufacturer datasheet.

Values indicated in this technical sheet are to be considered rated values. Flux tolerance:  $\pm 7\%$ . Power tolerance:  $\pm 10\%$ .

The characteristics of the product listed above are subjected to change without notice.

**Performance data for other operating temperatures (OT) and other combinations of CRI and CCT available on request.**

**There may be current limitations depending on the operating temperature. See dedicated section on following pages.**

LUMINAIRE	OPTIC	LED CURRENT (mA)	RATED LUMINAIRE FLUX* (Tq=25°C, 5700K, lm)	RATED LUMINAIRE POWER* (Tq=25°C, Vin=230Vac, F, W)	LUMINAIRE EFFICACY (Tq=25°C, lm/W)	RATED LED FLUX* (Tj=85°C, 5700K, lm)	RATED LED POWER* (Tj=85°C, W)
ALO 2 2AB10 7057.350-44M OT25	AM10	350	60100	480	125	75400	425
ALO 2 2AB10 7057.400-44M OT25		400	67250	550	122	85400	485
ALO 2 2AB10 7057.450-44M OT25		450	74800	620	120	95100	555
ALO 2 2AB10 7057.500-44M OT25		500	81600	690	118	104700	620
ALO 2 2AB10 7057.550-44M OT25		550	88900	760	116	114100	690
ALO 2 2AB10 7057.600-44M OT25		600	94900	830	114	123400	755
ALO 2 2AB10 7057.650-44M OT25		650	100850	900	112	132500	825
ALO 2 2AB10 7057.700-44M OT25		700	106400	960	110	141400	895
ALO 2 2AB10 7057.750-44M OT25		750	111600	1020	109	150100	965
ALO 2 2AB10 7057.350-44M ES OT25		AM10	350	55300	480	115	75400
ALO 2 2AB10 7057.400-44M ES OT25	400		61850	550	112	85400	485
ALO 2 2AB10 7057.450-44M ES OT25	450		68800	620	110	95100	555
ALO 2 2AB10 7057.500-44M ES OT25	500		75100	690	108	104700	620
ALO 2 2AB10 7057.550-44M ES OT25	550		81800	760	107	114100	690
ALO 2 2AB10 7057.600-44M ES OT25	600		87350	830	105	123400	755
ALO 2 2AB10 7057.650-44M ES OT25	650		92800	900	103	132500	825
ALO 2 2AB10 7057.700-44M ES OT25	700		97900	960	101	141400	895
ALO 2 2AB10 7057.750-44M ES OT25	750		102700	1020	100	150100	965

\*RATED LUMINAIRE FLUX / RATED LUMINAIRE POWER: Rated data obtained in laboratory.

\*RATED LED FLUX / RATED LED POWER: Rated data extrapolated from LED manufacturer datasheet.

Values indicated in this technical sheet are to be considered rated values. Flux tolerance:  $\pm 7\%$ . Power tolerance:  $\pm 10\%$ .

The characteristics of the product listed above are subjected to change without notice.

**Performance data for other operating temperatures (OT) and other combinations of CRI and CCT available on request.**

**There may be current limitations depending on the operating temperature. See dedicated section on following pages.**

LUMINAIRE	OPTIC	LED CURRENT (mA)	RATED LUMINAIRE FLUX* (Tq=25°C, 5700K, lm)	RATED LUMINAIRE POWER* (Tq=25°C, Vin=230Vac, F, W)	LUMINAIRE EFFICACY (Tq=25°C, lm/W)	RATED LED FLUX* (Tj=85°C, 5700K, lm)	RATED LED POWER* (Tj=85°C, W)
ALO 2 2AB10 7057.350-44M OT25	AN10	350	60100	480	125	75400	425
ALO 2 2AB10 7057.400-44M OT25		400	67250	550	122	85400	485
ALO 2 2AB10 7057.450-44M OT25		450	74800	620	120	95100	555
ALO 2 2AB10 7057.500-44M OT25		500	81600	690	118	104700	620
ALO 2 2AB10 7057.550-44M OT25		550	88900	760	116	114100	690
ALO 2 2AB10 7057.600-44M OT25		600	94900	830	114	123400	755
ALO 2 2AB10 7057.650-44M OT25		650	100850	900	112	132500	825
ALO 2 2AB10 7057.700-44M OT25		700	106400	960	110	141400	895
ALO 2 2AB10 7057.750-44M OT25		750	111600	1020	109	150100	965
ALO 2 2AB10 7057.350-44M ES OT25		AN10	350	57100	480	118	75400
ALO 2 2AB10 7057.400-44M ES OT25	400		63900	550	116	85400	485
ALO 2 2AB10 7057.450-44M ES OT25	450		71000	620	114	95100	555
ALO 2 2AB10 7057.500-44M ES OT25	500		77550	690	112	104700	620
ALO 2 2AB10 7057.550-44M ES OT25	550		84450	760	111	114100	690
ALO 2 2AB10 7057.600-44M ES OT25	600		90150	830	108	123400	755
ALO 2 2AB10 7057.650-44M ES OT25	650		95800	900	106	132500	825
ALO 2 2AB10 7057.700-44M ES OT25	700		101100	960	105	141400	895
ALO 2 2AB10 7057.750-44M ES OT25	750		106050	1020	103	150100	965

\*RATED LUMINAIRE FLUX / RATED LUMINAIRE POWER: Rated data obtained in laboratory.

\*RATED LED FLUX / RATED LED POWER: Rated data extrapolated from LED manufacturer datasheet.

Values indicated in this technical sheet are to be considered rated values. Flux tolerance:  $\pm 7\%$ . Power tolerance:  $\pm 10\%$ .

The characteristics of the product listed above are subjected to change without notice.

**Performance data for other operating temperatures (OT) and other combinations of CRI and CCT available on request.**

**There may be current limitations depending on the operating temperature. See dedicated section on following pages.**

LUMINAIRE	OPTIC	LED CURRENT (mA)	RATED LUMINAIRE FLUX* (Tq=25°C, 5700K, lm)	RATED LUMINAIRE POWER* (Tq=25°C, Vin=230Vac, F, W)	LUMINAIRE EFFICACY (Tq=25°C, lm/W)	RATED LED FLUX* (Tj=85°C, 5700K, lm)	RATED LED POWER* (Tj=85°C, W)
ALO 2 2AB10 7057.350-44M OT25	AW10	350	60100	480	125	75400	425
ALO 2 2AB10 7057.400-44M OT25		400	67250	550	122	85400	485
ALO 2 2AB10 7057.450-44M OT25		450	74800	620	120	95100	555
ALO 2 2AB10 7057.500-44M OT25		500	81600	690	118	104700	620
ALO 2 2AB10 7057.550-44M OT25		550	88900	760	116	114100	690
ALO 2 2AB10 7057.600-44M OT25		600	94900	830	114	123400	755
ALO 2 2AB10 7057.650-44M OT25		650	100850	900	112	132500	825
ALO 2 2AB10 7057.700-44M OT25		700	106400	960	110	141400	895
ALO 2 2AB10 7057.750-44M OT25		750	111600	1020	109	150100	965
ALO 2 2AB10 7057.350-44M ES OT25		AW10	350	56500	480	117	75400
ALO 2 2AB10 7057.400-44M ES OT25	400		63250	550	115	85400	485
ALO 2 2AB10 7057.450-44M ES OT25	450		70300	620	113	95100	555
ALO 2 2AB10 7057.500-44M ES OT25	500		76750	690	111	104700	620
ALO 2 2AB10 7057.550-44M ES OT25	550		83550	760	109	114100	690
ALO 2 2AB10 7057.600-44M ES OT25	600		89250	830	107	123400	755
ALO 2 2AB10 7057.650-44M ES OT25	650		94800	900	105	132500	825
ALO 2 2AB10 7057.700-44M ES OT25	700		100050	960	104	141400	895
ALO 2 2AB10 7057.750-44M ES OT25	750		104950	1020	102	150100	965

\*RATED LUMINAIRE FLUX / RATED LUMINAIRE POWER: Rated data obtained in laboratory.

\*RATED LED FLUX / RATED LED POWER: Rated data extrapolated from LED manufacturer datasheet.

Values indicated in this technical sheet are to be considered rated values. Flux tolerance:  $\pm 7\%$ . Power tolerance:  $\pm 10\%$ .

The characteristics of the product listed above are subjected to change without notice.

**Performance data for other operating temperatures (OT) and other combinations of CRI and CCT available on request.**

**There may be current limitations depending on the operating temperature. See dedicated section on following pages.**



## Temperature by Geographic Area

Geographic Area	Country	Hottest month Average Ta (°C)	Suggested OT (°C)	Geographic Area	Country	Hottest month Average Ta (°C)	Suggested OT (°C)
America	Argentina	28	30	EU	Austria	26	25
America	Brazil	28	30	EU	Bosnia Herzegovina	34	35
America	Canada	25	25	EU	Denmark	21	20
America	Chile	30	30	EU	Estonia	21	20
	Colombia	19	20	EU	Finland	20	20
America	Mexico	27	30	EU	France (Lyon)	28	30
America	Perù	27	30	EU	France (Marseille)	30	30
America	USA (Arizona)	40	40	EU	France (Parigi)	25	25
America	USA (New York)	29	30	EU	Germany	25	25
Asia/Oceania	Australia	27	30	EU	Greece	33	35
Asia/Oceania	South Korea	30	30	EU	Ireland	19	20
Asia/Oceania	Philippines	34	35	EU	Iceland	14	15
Asia/Oceania	Hong Kong	32	35	EU	Canary Islands	28	30
Asia/Oceania	India	36	35	EU	Italy	30	30
Asia/Oceania	Malaysia	33	35	EU	Liechtenstein	24	25
Asia/Oceania	New Zealand	23	25	EU	Lithuania	23	25
Asia/Oceania	Pakistan	34	35	EU	Luxembourg	24	25
Asia/Oceania	Russia	24	25	EU	Malta	32	35
Asia/Oceania	Singapore	32	35	EU	Norway	21	20
Asia/Oceania	Taiwan	34	35	EU	Netherlands	20	20
Asia/Oceania	Vietnam	34	35	EU	Poland	24	25
EMEA	Saudi Arabia	43	45	EU	Portugal	29	30
EMEA	Bahrain	39	40	EU	Czech Republic	25	25
EMEA	Egypt	35	35	EU	Romania	30	30
EMEA	Jordan	32	35	EU	Scotland	19	20
EMEA	Israel	30	30	EU	Slovenia	27	30
EMEA	Kuwait	46	50	EU	Spain (Madrid)	33	35
EMEA	Libanon	30	30	EU	Spain (Malaga)	31	30
EMEA	Morocco	27	30	EU	Spain (Barcelona)	32	35
EMEA	Oman	38	40	EU	Sweden (Goteborg)	21	20
EMEA	Qatar	42	45	EU	Sweden (Borlänge)	23	25
EMEA	UAE (Abu Dhabi)	40	40	EU	Switzerland	25	25
				EU	Turkey (Ankara)	31	30
				EU	Ukraine (Kiev)	26	25
				EU	UK	20	20

## Maximum Current for Operating Temperature

SPORT LIGHTING - OUTDOOR							
Temperature (°C)	OT20	OT25	OT30	OT35	OT40	OT45	OT50
<b>SPOT Optics Max. Current (mA)</b>	800	800	800	750	700	650	600
<b>Asymmetrical Optics Max. Current (mA)</b>	750	750	700	650	600	550	500

SPORT LIGHTING - INDOOR						
Temperature (°C)	OT25	OT30	OT35	OT40	OT45	OT50
<b>SPOT Optics Max. Current (mA)</b>	750	750	700	650	600	550
<b>Asymmetrical Optics Max. Current (mA)</b>	650	650	600	550	500	450