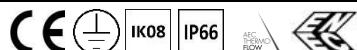




ALO 3

MAIN CHARACTERISTICS

Applications	Wide area lighting and sports facilities.
Optic	AM10 / AN10 / AW10 / ASM / ASN / ASW / A25: Asymmetrical optic for projection. Colour temperature: 4000K, CRI ≥ 70 3000K, CRI ≥ 70 optional LED source efficiency: 165 lm/W @ 350mA, Tj=85°C, 4000K
Insulation class	I
Protection degree	IP66 IK08 total
Dimensions	See the drawing
Weight	max 28 kg (excluded gear tray)
Exposed surface	Side: 0.083 m ² – Top: 0.34 m ² (excluded gear tray) SCx: 0.24 m ²
Mounting	Installation with C bracket or MICROMOOVER.
Tilt Angle	C bracket: +20° ÷ +75° on horizontal plane with steps graduated in 5° controlled steps. Micro-adjustment with slots ±2.5° (0.5° step) for intermediate values to the main adjustment. MICROMOOVER: +20° ÷ +75° on horizontal plane. Micro-adjustment 0/+10° for intermediate values to the main setting. Adjustment on vertical axis: ±180°.
Gear tray	Remote. (Power supply size 500x150 H=120mm - Weight: 6.2 kg). Optional: mounting over luminaire body with integrated flanges (only with C bracket version).
Operating temp.	-40°C / +50°C
Storage temperature	-40°C / +80°C
Main reference standards	EN 60598-1, EN 60598-2-3, EN 60598-2-5, IEC 62471, EN 55015, EN 61547, EN 61000-3-2, EN 61000-3-3



ELECTRICAL CHARACTERISTICS

Rated voltage	220÷400V 50/60Hz (Standard tolerance +/-10%, other voltages and tolerances upon request)
Power factor	>0,9 (at full load)
Flicker factor (FF)	< 3%
Mains connection	On terminal block for cables max. section 4mm ²
Surge protection	Up to 10kV
Control system (options)	F: Fixed power not dimmable. DAC: Automatic dimming (virtual midnight) with custom profile. FLC: Constant light flux. DALI: Digital dimming interface DALI.
Optical unit lifetime (Tq=25°C, 650mA)	>100.000hr L80B10

MATERIALS

Fixing	Die-cast aluminum UNI EN1706 powder painted.
Body - Heat-sink	Single piece of die-cast aluminium UNI EN1706 powder painted.
Screen frame	Galvanised and painted steel with stainless steel springs.
Optic	Polycarbonate.
Screen	Flat tempered glass, 5mm thickness high transparency.
Cable gland	Metallic M25 x 1.5 - IP68
Gasket	Silicone
Colour	Matt satin grey RAL 7004 - Cod. 7J

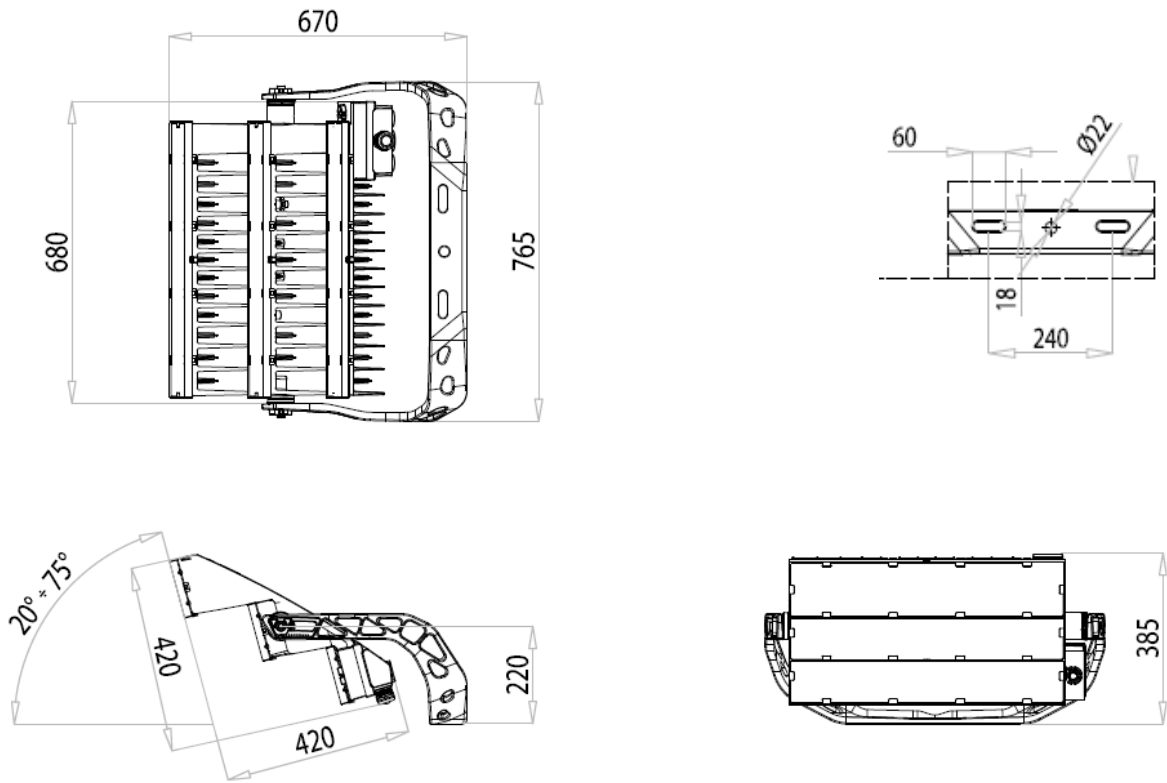
OPTIONAL

ES	External Shield – upward emission shield.
Power supply support	Support for integrated power supply mounting on floodlight (only with C bracket version).

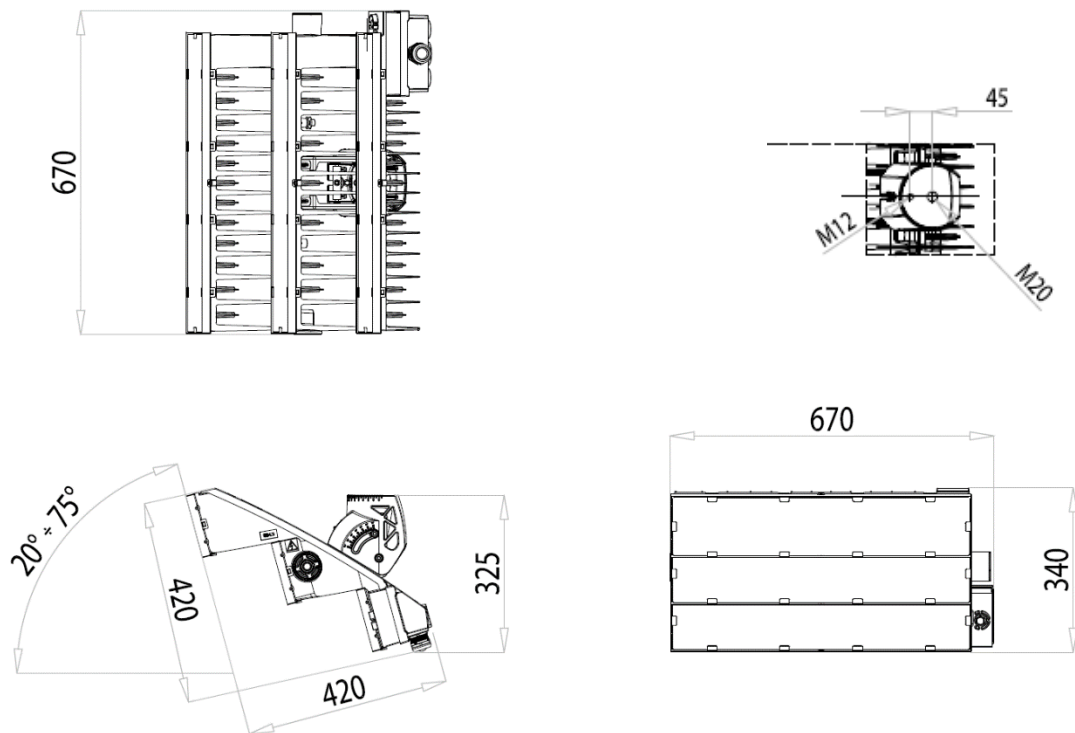


DIMENSIONAL DRAWINGS

ALO with C bracket



ALO with MICROMØVER



ALO 3 2AB10 WIDE AREA – 7040

LUMINAIRE	OPTIC	LED CURRENT (mA)	RATED LUMINAIRE FLUX* (Tq=25°C, 4000K, lm)	RATED LUMINAIRE POWER* (Tq=25°C, Vin=230Vac, F, W)	LUMINAIRE EFFICACY (Tq=25°C, lm/W)	RATED LED FLUX* (Tj=85°C, 4000K, lm)	RATED LED POWER* (Tj=85°C, W)
ALO 3 2AB10 A25 7040.350-66M	A25	350	96450	660	146.1	113100	635
ALO 3 2AB10 A25 7040.400-66M	A25	400	108300	760	142.5	128100	730
ALO 3 2AB10 A25 7040.450-66M	A25	450	119750	860	139.2	142700	830
ALO 3 2AB10 A25 7040.500-66M	A25	500	130750	970	134.7	157100	930
ALO 3 2AB10 A25 7040.550-66M	A25	550	141400	1080	130.9	171200	1035
ALO 3 2AB10 A25 7040.600-66M	A25	600	151600	1180	128.4	185100	1135
ALO 3 2AB10 A25 7040.650-66M	A25	650	161400	1290	125.1	198700	1240
ALO 3 2AB10 A25 7040.700-66M	A25	700	170800	1390	122.8	212100	1345
ALO 3 2AB10 A25 7040.350-66M ES	A25	350	95490	660	144.6	113100	635
ALO 3 2AB10 A25 7040.400-66M ES	A25	400	107220	760	141	128100	730
ALO 3 2AB10 A25 7040.450-66M ES	A25	450	118550	860	137.8	142700	830
ALO 3 2AB10 A25 7040.500-66M ES	A25	500	129440	970	133.4	157100	930
ALO 3 2AB10 A25 7040.550-66M ES	A25	550	139990	1080	129.6	171200	1035
ALO 3 2AB10 A25 7040.600-66M ES	A25	600	150080	1180	127.1	185100	1135
ALO 3 2AB10 A25 7040.650-66M ES	A25	650	159790	1290	123.8	198700	1240
ALO 3 2AB10 A25 7040.700-66M ES	A25	700	169090	1390	121.6	212100	1345
ALO 3 2AB10 AM10 7040.350-66M	AM10	350	90850	660	137.6	113100	635
ALO 3 2AB10 AM10 7040.400-66M	AM10	400	102150	760	134.4	128100	730
ALO 3 2AB10 AM10 7040.450-66M	AM10	450	113100	860	131.5	142700	830
ALO 3 2AB10 AM10 7040.500-66M	AM10	500	123550	970	127.3	157100	930
ALO 3 2AB10 AM10 7040.550-66M	AM10	550	133550	1080	123.6	171200	1035
ALO 3 2AB10 AM10 7040.600-66M	AM10	600	142950	1180	121.1	185100	1135
ALO 3 2AB10 AM10 7040.650-66M	AM10	650	151800	1290	117.6	198700	1240
ALO 3 2AB10 AM10 7040.700-66M	AM10	700	160000	1390	115.1	212100	1345

LUMINAIRE	OPTIC	LED CURRENT (mA)	RATED LUMINAIRE FLUX* (Tq=25°C, 4000K, lm)	RATED LUMINAIRE POWER* (Tq=25°C, Vin=230Vac, F, W)	LUMINAIRE EFFICACY (Tq=25°C, lm/W)	RATED LED FLUX* (Tj=85°C, 4000K, lm)	RATED LED POWER* (Tj=85°C, W)
ALO 3 2AB10 AM10 7040.350-66M ES	AM10	350	87220	660	132.1	113100	635
ALO 3 2AB10 AM10 7040.400-66M ES	AM10	400	98060	760	129	128100	730
ALO 3 2AB10 AM10 7040.450-66M ES	AM10	450	108580	860	126.2	142700	830
ALO 3 2AB10 AM10 7040.500-66M ES	AM10	500	118610	970	122.2	157100	930
ALO 3 2AB10 AM10 7040.550-66M ES	AM10	550	128210	1080	118.7	171200	1035
ALO 3 2AB10 AM10 7040.600-66M ES	AM10	600	137230	1180	116.2	185100	1135
ALO 3 2AB10 AM10 7040.650-66M ES	AM10	650	145730	1290	112.9	198700	1240
ALO 3 2AB10 AM10 7040.700-66M ES	AM10	700	153600	1390	110.5	212100	1345
ALO 3 2AB10 AN10 7040.350-66M	AN10	350	91200	660	138.1	113100	635
ALO 3 2AB10 AN10 7040.400-66M	AN10	400	102450	760	134.8	128100	730
ALO 3 2AB10 AN10 7040.450-66M	AN10	450	113250	860	131.6	142700	830
ALO 3 2AB10 AN10 7040.500-66M	AN10	500	123700	970	127.5	157100	930
ALO 3 2AB10 AN10 7040.550-66M	AN10	550	133700	1080	123.7	171200	1035
ALO 3 2AB10 AN10 7040.600-66M	AN10	600	143350	1180	121.4	185100	1135
ALO 3 2AB10 AN10 7040.650-66M	AN10	650	152650	1290	118.3	198700	1240
ALO 3 2AB10 AN10 7040.700-66M	AN10	700	161550	1390	116.2	212100	1345
ALO 3 2AB10 AN10 7040.350-66M ES	AN10	350	89380	660	135.4	113100	635
ALO 3 2AB10 AN10 7040.400-66M ES	AN10	400	100400	760	132.1	128100	730
ALO 3 2AB10 AN10 7040.450-66M ES	AN10	450	110990	860	129	142700	830
ALO 3 2AB10 AN10 7040.500-66M ES	AN10	500	121230	970	124.9	157100	930
ALO 3 2AB10 AN10 7040.550-66M ES	AN10	550	131030	1080	121.3	171200	1035
ALO 3 2AB10 AN10 7040.600-66M ES	AN10	600	140480	1180	119	185100	1135
ALO 3 2AB10 AN10 7040.650-66M ES	AN10	650	149600	1290	115.9	198700	1240
ALO 3 2AB10 AN10 7040.700-66M ES	AN10	700	158320	1390	113.8	212100	1345
ALO 3 2AB10 ASM 7040.350-66M	ASM	350	96000	660	145.4	113100	635

LUMINAIRE	OPTIC	LED CURRENT (mA)	RATED LUMINAIRE FLUX* (Tq=25°C, 4000K, lm)	RATED LUMINAIRE POWER* (Tq=25°C, Vin=230Vac, F, W)	LUMINAIRE EFFICACY (Tq=25°C, lm/W)	RATED LED FLUX* (Tj=85°C, 4000K, lm)	RATED LED POWER* (Tj=85°C, W)
ALO 3 2AB10 ASM 7040.400-66M	ASM	400	107800	760	141.8	128100	730
ALO 3 2AB10 ASM 7040.450-66M	ASM	450	119200	860	138.6	142700	830
ALO 3 2AB10 ASM 7040.500-66M	ASM	500	130150	970	134.1	157100	930
ALO 3 2AB10 ASM 7040.550-66M	ASM	550	140750	1080	130.3	171200	1035
ALO 3 2AB10 ASM 7040.600-66M	ASM	600	150900	1180	127.8	185100	1135
ALO 3 2AB10 ASM 7040.650-66M	ASM	650	160650	1290	124.5	198700	1240
ALO 3 2AB10 ASM 7040.700-66M	ASM	700	170050	1390	122.3	212100	1345
ALO 3 2AB10 ASM 7040.350-66M ES	ASM	350	94080	660	142.5	113100	635
ALO 3 2AB10 ASM 7040.400-66M ES	ASM	400	105640	760	139	128100	730
ALO 3 2AB10 ASM 7040.450-66M ES	ASM	450	116820	860	135.8	142700	830
ALO 3 2AB10 ASM 7040.500-66M ES	ASM	500	127550	970	131.4	157100	930
ALO 3 2AB10 ASM 7040.550-66M ES	ASM	550	137940	1080	127.7	171200	1035
ALO 3 2AB10 ASM 7040.600-66M ES	ASM	600	147880	1180	125.3	185100	1135
ALO 3 2AB10 ASM 7040.650-66M ES	ASM	650	157440	1290	122	198700	1240
ALO 3 2AB10 ASM 7040.700-66M ES	ASM	700	166650	1390	119.8	212100	1345
ALO 3 2AB10 ASN 7040.350-66M	ASN	350	97000	660	146.9	113100	635
ALO 3 2AB10 ASN 7040.400-66M	ASN	400	108950	760	143.3	128100	730
ALO 3 2AB10 ASN 7040.450-66M	ASN	450	120450	860	140	142700	830
ALO 3 2AB10 ASN 7040.500-66M	ASN	500	131500	970	135.5	157100	930
ALO 3 2AB10 ASN 7040.550-66M	ASN	550	142200	1080	131.6	171200	1035
ALO 3 2AB10 ASN 7040.600-66M	ASN	600	152450	1180	129.1	185100	1135
ALO 3 2AB10 ASN 7040.650-66M	ASN	650	162300	1290	125.8	198700	1240
ALO 3 2AB10 ASN 7040.700-66M	ASN	700	171800	1390	123.5	212100	1345
ALO 3 2AB10 ASN 7040.350-66M ES	ASN	350	96030	660	145.5	113100	635
ALO 3 2AB10 ASN 7040.400-66M ES	ASN	400	107860	760	141.9	128100	730

LUMINAIRE	OPTIC	LED CURRENT (mA)	RATED LUMINAIRE FLUX* (Tq=25°C, 4000K, lm)	RATED LUMINAIRE POWER* (Tq=25°C, Vin=230Vac, F, W)	LUMINAIRE EFFICACY (Tq=25°C, lm/W)	RATED LED FLUX* (Tj=85°C, 4000K, lm)	RATED LED POWER* (Tj=85°C, W)
ALO 3 2AB10 ASN 7040.450-66M ES	ASN	450	119250	860	138.6	142700	830
ALO 3 2AB10 ASN 7040.500-66M ES	ASN	500	130190	970	134.2	157100	930
ALO 3 2AB10 ASN 7040.550-66M ES	ASN	550	140780	1080	130.3	171200	1035
ALO 3 2AB10 ASN 7040.600-66M ES	ASN	600	150930	1180	127.9	185100	1135
ALO 3 2AB10 ASN 7040.650-66M ES	ASN	650	160680	1290	124.5	198700	1240
ALO 3 2AB10 ASN 7040.700-66M ES	ASN	700	170080	1390	122.3	212100	1345
ALO 3 2AB10 ASW 7040.350-66M	ASW	350	96100	660	145.6	113100	635
ALO 3 2AB10 ASW 7040.400-66M	ASW	400	107950	760	142	128100	730
ALO 3 2AB10 ASW 7040.450-66M	ASW	450	119350	860	138.7	142700	830
ALO 3 2AB10 ASW 7040.500-66M	ASW	500	130300	970	134.3	157100	930
ALO 3 2AB10 ASW 7040.550-66M	ASW	550	140900	1080	130.4	171200	1035
ALO 3 2AB10 ASW 7040.600-66M	ASW	600	151050	1180	128	185100	1135
ALO 3 2AB10 ASW 7040.650-66M	ASW	650	160800	1290	124.6	198700	1240
ALO 3 2AB10 ASW 7040.700-66M	ASW	700	170200	1390	122.4	212100	1345
ALO 3 2AB10 ASW 7040.350-66M ES	ASW	350	94180	660	142.6	113100	635
ALO 3 2AB10 ASW 7040.400-66M ES	ASW	400	105790	760	139.1	128100	730
ALO 3 2AB10 ASW 7040.450-66M ES	ASW	450	116960	860	136	142700	830
ALO 3 2AB10 ASW 7040.500-66M ES	ASW	500	127690	970	131.6	157100	930
ALO 3 2AB10 ASW 7040.550-66M ES	ASW	550	138080	1080	127.8	171200	1035
ALO 3 2AB10 ASW 7040.600-66M ES	ASW	600	148030	1180	125.4	185100	1135
ALO 3 2AB10 ASW 7040.650-66M ES	ASW	650	157580	1290	122.1	198700	1240
ALO 3 2AB10 ASW 7040.700-66M ES	ASW	700	166800	1390	120	212100	1345
ALO 3 2AB10 AW10 7040.350-66M	AW10	350	90150	660	136.5	113100	635
ALO 3 2AB10 AW10 7040.400-66M	AW10	400	101500	760	133.5	128100	730
ALO 3 2AB10 AW10 7040.450-66M	AW10	450	112450	860	130.7	142700	830

LUMINAIRE	OPTIC	LED CURRENT (mA)	RATED LUMINAIRE FLUX* (Tq=25°C, 4000K, lm)	RATED LUMINAIRE POWER* (Tq=25°C, Vin=230Vac, F, W)	LUMINAIRE EFFICACY (Tq=25°C, lm/W)	RATED LED FLUX* (Tj=85°C, 4000K, lm)	RATED LED POWER* (Tj=85°C, W)
ALO 3 2AB10 AW10 7040.500-66M	AW10	500	123050	970	126.8	157100	930
ALO 3 2AB10 AW10 7040.550-66M	AW10	550	133150	1080	123.2	171200	1035
ALO 3 2AB10 AW10 7040.600-66M	AW10	600	142700	1180	120.9	185100	1135
ALO 3 2AB10 AW10 7040.650-66M	AW10	650	151750	1290	117.6	198700	1240
ALO 3 2AB10 AW10 7040.700-66M	AW10	700	160150	1390	115.2	212100	1345
ALO 3 2AB10 AW10 7040.350-66M ES	AW10	350	86540	660	131.1	113100	635
ALO 3 2AB10 AW10 7040.400-66M ES	AW10	400	97440	760	128.2	128100	730
ALO 3 2AB10 AW10 7040.450-66M ES	AW10	450	107950	860	125.5	142700	830
ALO 3 2AB10 AW10 7040.500-66M ES	AW10	500	118130	970	121.7	157100	930
ALO 3 2AB10 AW10 7040.550-66M ES	AW10	550	127820	1080	118.3	171200	1035
ALO 3 2AB10 AW10 7040.600-66M ES	AW10	600	136990	1180	116	185100	1135
ALO 3 2AB10 AW10 7040.650-66M ES	AW10	650	145680	1290	112.9	198700	1240
ALO 3 2AB10 AW10 7040.700-66M ES	AW10	700	153740	1390	110.6	212100	1345

*RATED LUMINAIRE FLUX / RATED LUMINAIRE POWER: Rated data obtained in laboratory.

*RATED LED FLUX / RATED LED POWER: Rated data extrapolated from LED manufacturer datasheet.

Values indicated in this technical sheet are to be considered rated values. Flux tolerance: $\pm 7\%$. Power tolerance: $\pm 10\%$.

The characteristics of the product listed above are subjected to change without notice.

Performance data for other operating temperatures (OT) and other combinations of CRI and CCT available on request.

There may be current limitations depending on the operating temperature. See dedicated section on following pages.

Temperature by Geographic Area

Geographic Area	Country	Hottest month Average Ta (°C)	Suggested OT (°C)	Geographic Area	Country	Hottest month Average Ta (°C)	Suggested OT (°C)
America	Argentina	28	30	EU	Austria	26	25
America	Brazil	28	30	EU	Bosnia Herzegovina	34	35
America	Canada	25	25	EU	Denmark	21	20
America	Chile	30	30	EU	Estonia	21	20
America	Colombia	19	20	EU	Finland	20	20
America	Mexico	27	30	EU	France (Lyon)	28	30
America	Perù	27	30	EU	France (Marseille)	30	30
America	USA (Arizona)	40	40	EU	France (Parigi)	25	25
America	USA (New York)	29	30	EU	Germany	25	25
Asia/Oceania	Australia	27	30	EU	Greece	33	35
Asia/Oceania	South Korea	30	30	EU	Ireland	19	20
Asia/Oceania	Philippines	34	35	EU	Iceland	14	15
Asia/Oceania	Hong Kong	32	35	EU	Canary Islands	28	30
Asia/Oceania	India	36	35	EU	Italy	30	30
Asia/Oceania	Malaysia	33	35	EU	Liechtenstein	24	25
Asia/Oceania	New Zealand	23	25	EU	Lithuania	23	25
Asia/Oceania	Pakistan	34	35	EU	Luxembourg	24	25
Asia/Oceania	Russia	24	25	EU	Malta	32	35
Asia/Oceania	Singapore	32	35	EU	Norway	21	20
Asia/Oceania	Taiwan	34	35	EU	Netherlands	20	20
Asia/Oceania	Vietnam	34	35	EU	Poland	24	25
EMEA	Saudi Arabia	43	45	EU	Portugal	29	30
EMEA	Bahrain	39	40	EU	Czech Republic	25	25
EMEA	Egypt	35	35	EU	Romania	30	30
EMEA	Jordan	32	35	EU	Scotland	19	20
EMEA	Israel	30	30	EU	Slovenia	27	30
EMEA	Kuwait	46	50	EU	Spain (Madrid)	33	35
EMEA	Libanon	30	30	EU	Spain (Malaga)	31	30
EMEA	Morocco	27	30	EU	Spain (Barcelona)	32	35
EMEA	Oman	38	40	EU	Sweden (Goteborg)	21	20
EMEA	Qatar	42	45	EU	Sweden (Borlänge)	23	25
EMEA	UAE (Abu Dhabi)	40	40	EU	Switzerland	25	25
				EU	Turkey (Ankara)	31	30
				EU	Ukraine (Kiev)	26	25
				EU	UK	20	20

Maximum Current for Operating Temperature

WIDE AREA								
Temperature (°C)	OT15	OT20	OT25	OT30	OT35	OT40	OT45	OT50
Max. Current (mA)	700	700	700	700	650	600	550	500