

ALO 2

MAIN CHARACTERISTICS

Applications	Wide area lighting and sports facilities.
Optic	AM10 / AN10 / AW10 / ASM / ASN / ASW / A25: Asymmetrical optic for projection. Colour temperature: 4000K, CRI ≥ 70 3000K, CRI ≥ 70 optional LED source efficiency: 165 lm/W @ 350mA, Tj=85°C, 4000K
Insulation class	I
Protection degree	IP66 IK08 total
Dimensions	See the drawing
Weight	max 22.5 kg (excluded gear tray)
Exposed surface	Side: 0.056 m ² – Top: 0.26 m ² (excluded gear tray) SCx: 0.2 m ²
Mounting	Installation with C bracket or MICROMOOVER.
Tilt Angle	C bracket: +20° ÷ +75° on horizontal plane with steps graduated in 5° controlled steps. Micro-adjustment with slots ±2.5° (0.5° step) for intermediate values to the main adjustment. MICROMOOVER: +20° ÷ +75° on horizontal plane. Micro-adjustment 0/+10° for intermediate values to the main setting. Adjustment on vertical axis: ±180°.
Gear tray	Remote. (Power supply size 335x144mm H=60mm (x2) - Weight: 3,4 kg (x2)). Optional: mounting over luminaire body with integrated flanges (only with C bracket version).
Operating temp.	-40°C / +50°C
Storage temperature	-40°C / +80°C
Main reference standards	EN 60598-1, EN 60598-2-3, EN 60598-2-5, IEC 62471, EN 55015, EN 61547, EN 61000-3-2, EN 61000-3-3



ELECTRICAL CHARACTERISTICS

Rated voltage	220÷480V 50/60Hz (Standard tolerance +/-10%, other voltages and tolerances upon request)
Power factor	>0,9 (at full load)
Flicker factor (FF)	< 3%
Mains connection	On terminal block for cables max. section 4mm ²
Surge protection	Up to 10kV
Control system (options)	F: Fixed power not dimmable. DAC: Automatic dimming (virtual midnight) with custom profile. FLC: Constant light flux. DALI: Digital dimming interface DALI.
Optical unit lifetime (Tq=25°C, 650mA)	>100.000hr L80B10

MATERIALS

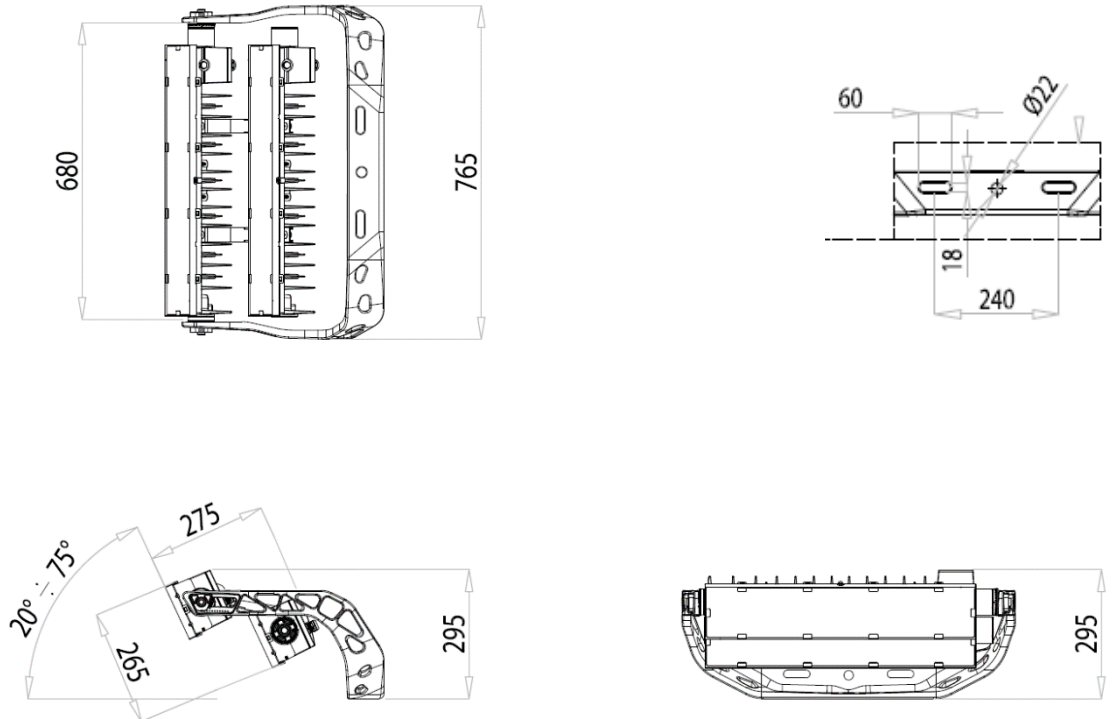
Fixing	Die-cast aluminum UNI EN1706 powder painted.
Body - Heat-sink	Die-cast aluminum UNI EN1706 powder painted.
Screen frame	Galvanised and painted steel with stainless steel springs.
Optic	Polycarbonate.
Screen	Flat tempered glass, 5mm thickness high transparency.
Cable gland	Metallic M25 x 1.5 - IP68
Gasket	Silicone
Colour	Matt satin grey RAL 7004 - Cod. 7J

OPTIONAL

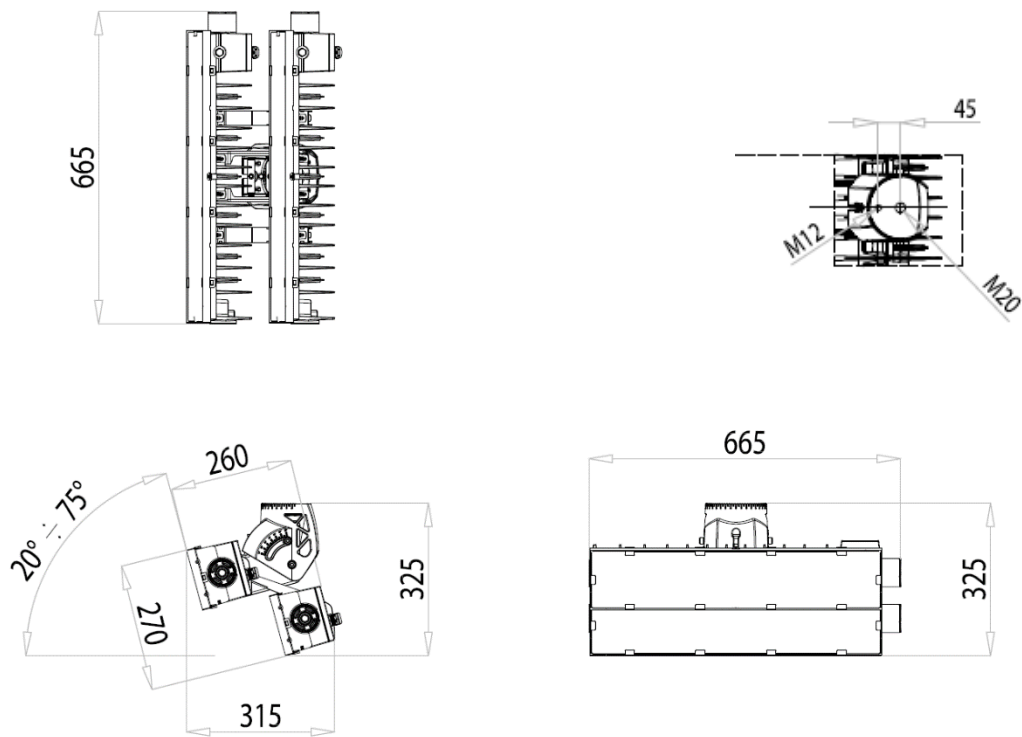
ES	External Shield – upward emission shield.
Power supply support	Support for integrated power supply mounting on floodlight (only with C bracket version).

DIMENSIONAL DRAWINGS

ALO with C bracket



ALO with MICROMOVER



ALO 2 2AB10 WIDE AREA – 7040

LUMINAIRE	OPTIC	LED CURRENT (mA)	RATED LUMINAIRE FLUX* (Tq=25°C, 4000K, lm)	RATED LUMINAIRE POWER* (Tq=25°C, Vin=230Vac, F, W)	LUMINAIRE EFFICACY (Tq=25°C, lm/W)	RATED LED FLUX* (Tj=85°C, 4000K, lm)	RATED LED POWER* (Tj=85°C, W)
ALO 2 2AB10 A25 7040.350-44M	A25	350	65950	465	141.8	75400	425
ALO 2 2AB10 A25 7040.400-44M	A25	400	74000	530	139.6	85400	485
ALO 2 2AB10 A25 7040.450-44M	A25	450	81550	600	135.9	95100	555
ALO 2 2AB10 A25 7040.500-44M	A25	500	88750	670	132.4	104700	620
ALO 2 2AB10 A25 7040.550-44M	A25	550	95600	740	129.1	114100	690
ALO 2 2AB10 A25 7040.600-44M	A25	600	102150	810	126.1	123400	755
ALO 2 2AB10 A25 7040.650-44M	A25	650	108450	870	124.6	132500	825
ALO 2 2AB10 A25 7040.700-44M	A25	700	114550	940	121.8	141400	895
ALO 2 2AB10 A25 7040.350-44M ES	A25	350	64630	465	138.9	75400	425
ALO 2 2AB10 A25 7040.400-44M ES	A25	400	72520	530	136.8	85400	485
ALO 2 2AB10 A25 7040.450-44M ES	A25	450	79920	600	133.2	95100	555
ALO 2 2AB10 A25 7040.500-44M ES	A25	500	86980	670	129.8	104700	620
ALO 2 2AB10 A25 7040.550-44M ES	A25	550	93690	740	126.6	114100	690
ALO 2 2AB10 A25 7040.600-44M ES	A25	600	100110	810	123.5	123400	755
ALO 2 2AB10 A25 7040.650-44M ES	A25	650	106280	870	122.1	132500	825
ALO 2 2AB10 A25 7040.700-44M ES	A25	700	112260	940	119.4	141400	895
ALO 2 2AB10 AM10 7040.350-44M	AM10	350	62700	465	134.8	75400	425
ALO 2 2AB10 AM10 7040.400-44M	AM10	400	70350	530	132.7	85400	485
ALO 2 2AB10 AM10 7040.450-44M	AM10	450	77550	600	129.2	95100	555
ALO 2 2AB10 AM10 7040.500-44M	AM10	500	84400	670	125.9	104700	620
ALO 2 2AB10 AM10 7040.550-44M	AM10	550	90900	740	122.8	114100	690
ALO 2 2AB10 AM10 7040.600-44M	AM10	600	97100	810	119.8	123400	755
ALO 2 2AB10 AM10 7040.650-44M	AM10	650	103100	870	118.5	132500	825
ALO 2 2AB10 AM10 7040.700-44M	AM10	700	108900	940	115.8	141400	895

LUMINAIRE	OPTIC	LED CURRENT (mA)	RATED LUMINAIRE FLUX* (Tq=25°C, 4000K, lm)	RATED LUMINAIRE POWER* (Tq=25°C, Vin=230Vac, F, W)	LUMINAIRE EFFICACY (Tq=25°C, lm/W)	RATED LED FLUX* (Tj=85°C, 4000K, lm)	RATED LED POWER* (Tj=85°C, W)
ALO 2 2AB10 AM10 7040.350-44M ES	AM10	350	60820	465	130.7	75400	425
ALO 2 2AB10 AM10 7040.400-44M ES	AM10	400	68240	530	128.7	85400	485
ALO 2 2AB10 AM10 7040.450-44M ES	AM10	450	75220	600	125.3	95100	555
ALO 2 2AB10 AM10 7040.500-44M ES	AM10	500	81870	670	122.1	104700	620
ALO 2 2AB10 AM10 7040.550-44M ES	AM10	550	88170	740	119.1	114100	690
ALO 2 2AB10 AM10 7040.600-44M ES	AM10	600	94190	810	116.2	123400	755
ALO 2 2AB10 AM10 7040.650-44M ES	AM10	650	100010	870	114.9	132500	825
ALO 2 2AB10 AM10 7040.700-44M ES	AM10	700	105630	940	112.3	141400	895
ALO 2 2AB10 AN10 7040.350-44M	AN10	350	65800	465	141.5	75400	425
ALO 2 2AB10 AN10 7040.400-44M	AN10	400	73800	530	139.2	85400	485
ALO 2 2AB10 AN10 7040.450-44M	AN10	450	81400	600	135.6	95100	555
ALO 2 2AB10 AN10 7040.500-44M	AN10	500	88550	670	132.1	104700	620
ALO 2 2AB10 AN10 7040.550-44M	AN10	550	95400	740	128.9	114100	690
ALO 2 2AB10 AN10 7040.600-44M	AN10	600	101900	810	125.8	123400	755
ALO 2 2AB10 AN10 7040.650-44M	AN10	650	108200	870	124.3	132500	825
ALO 2 2AB10 AN10 7040.700-44M	AN10	700	114250	940	121.5	141400	895
ALO 2 2AB10 AN10 7040.350-44M ES	AN10	350	64480	465	138.6	75400	425
ALO 2 2AB10 AN10 7040.400-44M ES	AN10	400	72320	530	136.4	85400	485
ALO 2 2AB10 AN10 7040.450-44M ES	AN10	450	79770	600	132.9	95100	555
ALO 2 2AB10 AN10 7040.500-44M ES	AN10	500	86780	670	129.5	104700	620
ALO 2 2AB10 AN10 7040.550-44M ES	AN10	550	93490	740	126.3	114100	690
ALO 2 2AB10 AN10 7040.600-44M ES	AN10	600	99860	810	123.2	123400	755
ALO 2 2AB10 AN10 7040.650-44M ES	AN10	650	106040	870	121.8	132500	825
ALO 2 2AB10 AN10 7040.700-44M ES	AN10	700	111970	940	119.1	141400	895
ALO 2 2AB10 ASM 7040.350-44M	ASM	350	66100	465	142.1	75400	425

LUMINAIRE	OPTIC	LED CURRENT (mA)	RATED LUMINAIRE FLUX* (Tq=25°C, 4000K, lm)	RATED LUMINAIRE POWER* (Tq=25°C, Vin=230Vac, F, W)	LUMINAIRE EFFICACY (Tq=25°C, lm/W)	RATED LED FLUX* (Tj=85°C, 4000K, lm)	RATED LED POWER* (Tj=85°C, W)
ALO 2 2AB10 ASM 7040.400-44M	ASM	400	74150	530	139.9	85400	485
ALO 2 2AB10 ASM 7040.450-44M	ASM	450	81750	600	136.2	95100	555
ALO 2 2AB10 ASM 7040.500-44M	ASM	500	88950	670	132.7	104700	620
ALO 2 2AB10 ASM 7040.550-44M	ASM	550	95800	740	129.4	114100	690
ALO 2 2AB10 ASM 7040.600-44M	ASM	600	102350	810	126.3	123400	755
ALO 2 2AB10 ASM 7040.650-44M	ASM	650	108700	870	124.9	132500	825
ALO 2 2AB10 ASM 7040.700-44M	ASM	700	114800	940	122.1	141400	895
ALO 2 2AB10 ASM 7040.350-44M ES	ASM	350	64780	465	139.3	75400	425
ALO 2 2AB10 ASM 7040.400-44M ES	ASM	400	72670	530	137.1	85400	485
ALO 2 2AB10 ASM 7040.450-44M ES	ASM	450	80120	600	133.5	95100	555
ALO 2 2AB10 ASM 7040.500-44M ES	ASM	500	87170	670	130.1	104700	620
ALO 2 2AB10 ASM 7040.550-44M ES	ASM	550	93880	740	126.8	114100	690
ALO 2 2AB10 ASM 7040.600-44M ES	ASM	600	100300	810	123.8	123400	755
ALO 2 2AB10 ASM 7040.650-44M ES	ASM	650	106530	870	122.4	132500	825
ALO 2 2AB10 ASM 7040.700-44M ES	ASM	700	112500	940	119.6	141400	895
ALO 2 2AB10 ASN 7040.350-44M	ASN	350	66500	465	143	75400	425
ALO 2 2AB10 ASN 7040.400-44M	ASN	400	74600	530	140.7	85400	485
ALO 2 2AB10 ASN 7040.450-44M	ASN	450	82200	600	137	95100	555
ALO 2 2AB10 ASN 7040.500-44M	ASN	500	89450	670	133.5	104700	620
ALO 2 2AB10 ASN 7040.550-44M	ASN	550	96350	740	130.2	114100	690
ALO 2 2AB10 ASN 7040.600-44M	ASN	600	102950	810	127	123400	755
ALO 2 2AB10 ASN 7040.650-44M	ASN	650	109300	870	125.6	132500	825
ALO 2 2AB10 ASN 7040.700-44M	ASN	700	115450	940	122.8	141400	895
ALO 2 2AB10 ASN 7040.350-44M ES	ASN	350	65170	465	140.1	75400	425
ALO 2 2AB10 ASN 7040.400-44M ES	ASN	400	73110	530	137.9	85400	485

LUMINAIRE	OPTIC	LED CURRENT (mA)	RATED LUMINAIRE FLUX* (Tq=25°C, 4000K, lm)	RATED LUMINAIRE POWER* (Tq=25°C, Vin=230Vac, F, W)	LUMINAIRE EFFICACY (Tq=25°C, lm/W)	RATED LED FLUX* (Tj=85°C, 4000K, lm)	RATED LED POWER* (Tj=85°C, W)
ALO 2 2AB10 ASN 7040.450-44M ES	ASN	450	80560	600	134.2	95100	555
ALO 2 2AB10 ASN 7040.500-44M ES	ASN	500	87660	670	130.8	104700	620
ALO 2 2AB10 ASN 7040.550-44M ES	ASN	550	94420	740	127.5	114100	690
ALO 2 2AB10 ASN 7040.600-44M ES	ASN	600	100890	810	124.5	123400	755
ALO 2 2AB10 ASN 7040.650-44M ES	ASN	650	107110	870	123.1	132500	825
ALO 2 2AB10 ASN 7040.700-44M ES	ASN	700	113140	940	120.3	141400	895
ALO 2 2AB10 ASW 7040.350-44M	ASW	350	66250	465	142.4	75400	425
ALO 2 2AB10 ASW 7040.400-44M	ASW	400	74300	530	140.1	85400	485
ALO 2 2AB10 ASW 7040.450-44M	ASW	450	81950	600	136.5	95100	555
ALO 2 2AB10 ASW 7040.500-44M	ASW	500	89150	670	133	104700	620
ALO 2 2AB10 ASW 7040.550-44M	ASW	550	96050	740	129.7	114100	690
ALO 2 2AB10 ASW 7040.600-44M	ASW	600	102600	810	126.6	123400	755
ALO 2 2AB10 ASW 7040.650-44M	ASW	650	108950	870	125.2	132500	825
ALO 2 2AB10 ASW 7040.700-44M	ASW	700	115050	940	122.3	141400	895
ALO 2 2AB10 ASW 7040.350-44M ES	ASW	350	64260	465	138.1	75400	425
ALO 2 2AB10 ASW 7040.400-44M ES	ASW	400	72070	530	135.9	85400	485
ALO 2 2AB10 ASW 7040.450-44M ES	ASW	450	79490	600	132.4	95100	555
ALO 2 2AB10 ASW 7040.500-44M ES	ASW	500	86480	670	129	104700	620
ALO 2 2AB10 ASW 7040.550-44M ES	ASW	550	93170	740	125.9	114100	690
ALO 2 2AB10 ASW 7040.600-44M ES	ASW	600	99520	810	122.8	123400	755
ALO 2 2AB10 ASW 7040.650-44M ES	ASW	650	105680	870	121.4	132500	825
ALO 2 2AB10 ASW 7040.700-44M ES	ASW	700	111600	940	118.7	141400	895
ALO 2 2AB10 AW10 7040.350-44M	AW10	350	63000	465	135.4	75400	425
ALO 2 2AB10 AW10 7040.400-44M	AW10	400	70700	530	133.3	85400	485
ALO 2 2AB10 AW10 7040.450-44M	AW10	450	77900	600	129.8	95100	555

LUMINAIRE	OPTIC	LED CURRENT (mA)	RATED LUMINAIRE FLUX* (Tq=25°C, 4000K, lm)	RATED LUMINAIRE POWER* (Tq=25°C, Vin=230Vac, F, W)	LUMINAIRE EFFICACY (Tq=25°C, lm/W)	RATED LED FLUX* (Tj=85°C, 4000K, lm)	RATED LED POWER* (Tj=85°C, W)
ALO 2 2AB10 AW10 7040.500-44M	AW10	500	84800	670	126.5	104700	620
ALO 2 2AB10 AW10 7040.550-44M	AW10	550	91300	740	123.3	114100	690
ALO 2 2AB10 AW10 7040.600-44M	AW10	600	97550	810	120.4	123400	755
ALO 2 2AB10 AW10 7040.650-44M	AW10	650	103600	870	119	132500	825
ALO 2 2AB10 AW10 7040.700-44M	AW10	700	109400	940	116.3	141400	895
ALO 2 2AB10 AW10 7040.350-44M ES	AW10	350	60480	465	130	75400	425
ALO 2 2AB10 AW10 7040.400-44M ES	AW10	400	67870	530	128	85400	485
ALO 2 2AB10 AW10 7040.450-44M ES	AW10	450	74780	600	124.6	95100	555
ALO 2 2AB10 AW10 7040.500-44M ES	AW10	500	81410	670	121.5	104700	620
ALO 2 2AB10 AW10 7040.550-44M ES	AW10	550	87650	740	118.4	114100	690
ALO 2 2AB10 AW10 7040.600-44M ES	AW10	600	93650	810	115.6	123400	755
ALO 2 2AB10 AW10 7040.650-44M ES	AW10	650	99460	870	114.3	132500	825
ALO 2 2AB10 AW10 7040.700-44M ES	AW10	700	105020	940	111.7	141400	895

*RATED LUMINAIRE FLUX / RATED LUMINAIRE POWER: Rated data obtained in laboratory.

*RATED LED FLUX / RATED LED POWER: Rated data extrapolated from LED manufacturer datasheet.

Values indicated in this technical sheet are to be considered rated values. Flux tolerance: $\pm 7\%$. Power tolerance: $\pm 10\%$.

The characteristics of the product listed above are subjected to change without notice.

Performance data for other operating temperatures (OT) and other combinations of CRI and CCT available on request.

There may be current limitations depending on the operating temperature. See dedicated section on following pages.

Temperature by Geographic Area

Geographic Area	Country	Hottest month Average Ta (°C)	Suggested OT (°C)	Geographic Area	Country	Hottest month Average Ta (°C)	Suggested OT (°C)
America	Argentina	28	30	EU	Austria	26	25
America	Brazil	28	30	EU	Bosnia Herzegovina	34	35
America	Canada	25	25	EU	Denmark	21	20
America	Chile	30	30	EU	Estonia	21	20
America	Colombia	19	20	EU	Finland	20	20
America	Mexico	27	30	EU	France (Lyon)	28	30
America	Perù	27	30	EU	France (Marseille)	30	30
America	USA (Arizona)	40	40	EU	France (Parigi)	25	25
America	USA (New York)	29	30	EU	Germany	25	25
Asia/Oceania	Australia	27	30	EU	Greece	33	35
Asia/Oceania	South Korea	30	30	EU	Ireland	19	20
Asia/Oceania	Philippines	34	35	EU	Iceland	14	15
Asia/Oceania	Hong Kong	32	35	EU	Canary Islands	28	30
Asia/Oceania	India	36	35	EU	Italy	30	30
Asia/Oceania	Malaysia	33	35	EU	Liechtenstein	24	25
Asia/Oceania	New Zealand	23	25	EU	Lithuania	23	25
Asia/Oceania	Pakistan	34	35	EU	Luxembourg	24	25
Asia/Oceania	Russia	24	25	EU	Malta	32	35
Asia/Oceania	Singapore	32	35	EU	Norway	21	20
Asia/Oceania	Taiwan	34	35	EU	Netherlands	20	20
Asia/Oceania	Vietnam	34	35	EU	Poland	24	25
EMEA	Saudi Arabia	43	45	EU	Portugal	29	30
EMEA	Bahrain	39	40	EU	Czech Republic	25	25
EMEA	Egypt	35	35	EU	Romania	30	30
EMEA	Jordan	32	35	EU	Scotland	19	20
EMEA	Israel	30	30	EU	Slovenia	27	30
EMEA	Kuwait	46	50	EU	Spain (Madrid)	33	35
EMEA	Libanon	30	30	EU	Spain (Malaga)	31	30
EMEA	Morocco	27	30	EU	Spain (Barcelona)	32	35
EMEA	Oman	38	40	EU	Sweden (Goteborg)	21	20
EMEA	Qatar	42	45	EU	Sweden (Borlänge)	23	25
EMEA	UAE (Abu Dhabi)	40	40	EU	Switzerland	25	25
				EU	Turkey (Ankara)	31	30
				EU	Ukraine (Kiev)	26	25
				EU	UK	20	20

Maximum Current for Operating Temperature

WIDE AREA								
Temperature (°C)	OT15	OT20	OT25	OT30	OT35	OT40	OT45	OT50
Max. Current (mA)	700	700	700	700	650	600	550	500