

ALO 2

MAIN CHARACTERISTICS

Applications	Wide area lighting and sports facilities.
Optic	SP15 / SP25 / SP40 / SP55: Symmetrical optic for projection. AM10 / AN10 / AW10 / ASM / ASN / ASW / A25: Asymmetrical optic for projection. BAC: Bidirectional asymmetric optic for projection, central emission. BAR/BAL: Bidirectional asymmetric optic for projection, right/left emission. Colour temperature: 5700K, CRI ≥ 70 (CRI 80, CRI 90 optional) 4000K, 3000K, CRI ≥ 70 optional LED source efficiency: 165 lm/W @ 350mA, Tj=85°C, 5700K
Insulation class	I
Protection degree	IP66 IK08 total
Dimensions	See the drawing
Weight	max 22.5 kg (excluded gear tray)
Exposed surface	Side: 0.056 m ² – Top: 0.26 m ² (excluded gear tray) SCx: 0.2 m ²
Mounting	Installation with C bracket or MICROMOOVER.
Tilt Angle	C bracket: +20° ÷ +75° on horizontal plane with steps graduated in 5° controlled steps. Micro-adjustment with slots ±2.5° (0.5° step) for intermediate values to the main adjustment. MICROMOOVER: +20° ÷ +75° on horizontal plane. Micro-adjustment 0/+10° for intermediate values to the main setting. Adjustment on vertical axis: ±180°.
Gear tray	Remote. (Power supply size 335x144mm H=60mm (x2) - Weight: 3,4 kg (x2)). Optional: mounting over luminaire body with integrated flanges (only with C bracket version).
Operating temp.	-40°C / +50°C
Storage temperature	-40°C / +80°C
Main reference standards	EN 60598-1, EN 60598-2-3, EN 60598-2-5, IEC 62471, EN 55015, EN 61547, EN 61000-3-2, EN 61000-3-3



ELECTRICAL CHARACTERISTICS

Rated voltage	220÷480V 50/60Hz (Standard tolerance +/-10%, other voltages and tolerances upon request)
Power factor	>0,9 (at full load)
Flicker factor (FF)	< 3%
Mains connection	On terminal block for cables max. section 4mm ²
Surge protection	Up to 10kV
Control system (options)	F: Fixed power not dimmable. FLC: Constant light flux. DALI: Digital dimming interface DALI.
Optical unit lifetime (Tq=25°C, 800mA)	>50.000hr L80B10

MATERIALS

Fixing	Die-cast aluminum UNI EN1706 powder painted.
Body - Heat-sink	Die-cast aluminum UNI EN1706 powder painted.
Screen frame	Galvanised and painted steel with stainless steel springs.
Optic	Polycarbonate.
Screen	Flat tempered glass, 5mm thickness high transparency.
Cable gland	Metallic M25 x 1.5 - IP68
Gasket	Silicone
Colour	Matt satin grey RAL 7004 - Cod. 7J

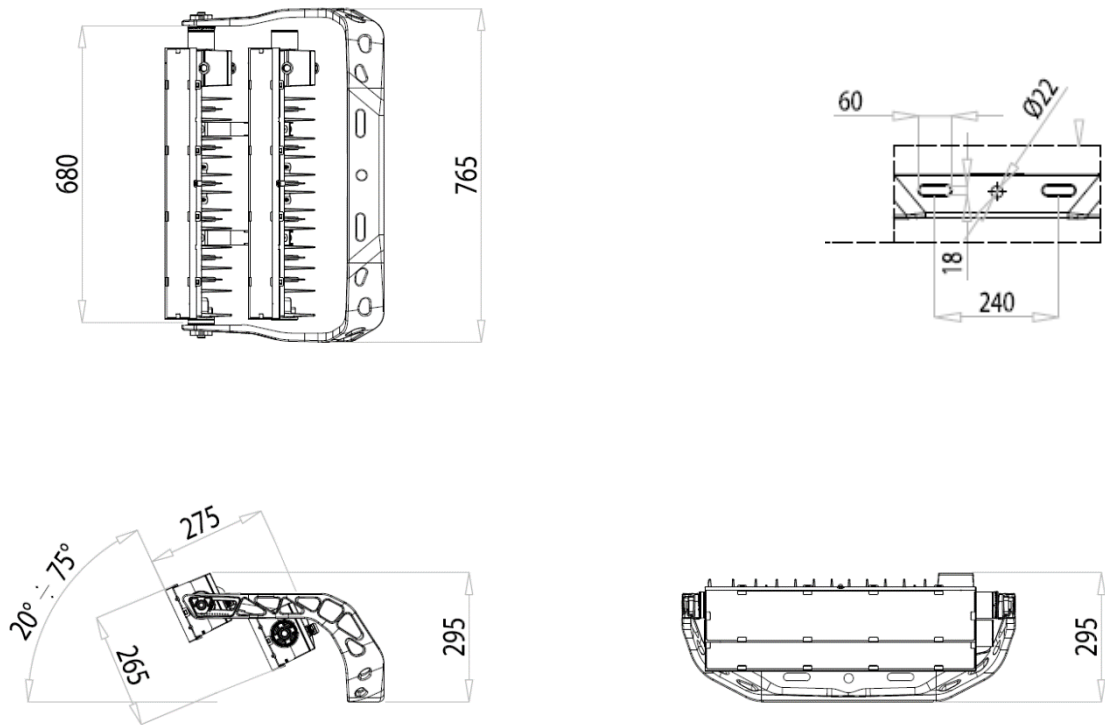
OPTIONAL

ES	External Shield – upward emission shield.
Red Dot Sight	Pointer for spot adjustments.
Power supply support	Support for integrated power supply mounting on floodlight (only with C bracket version).

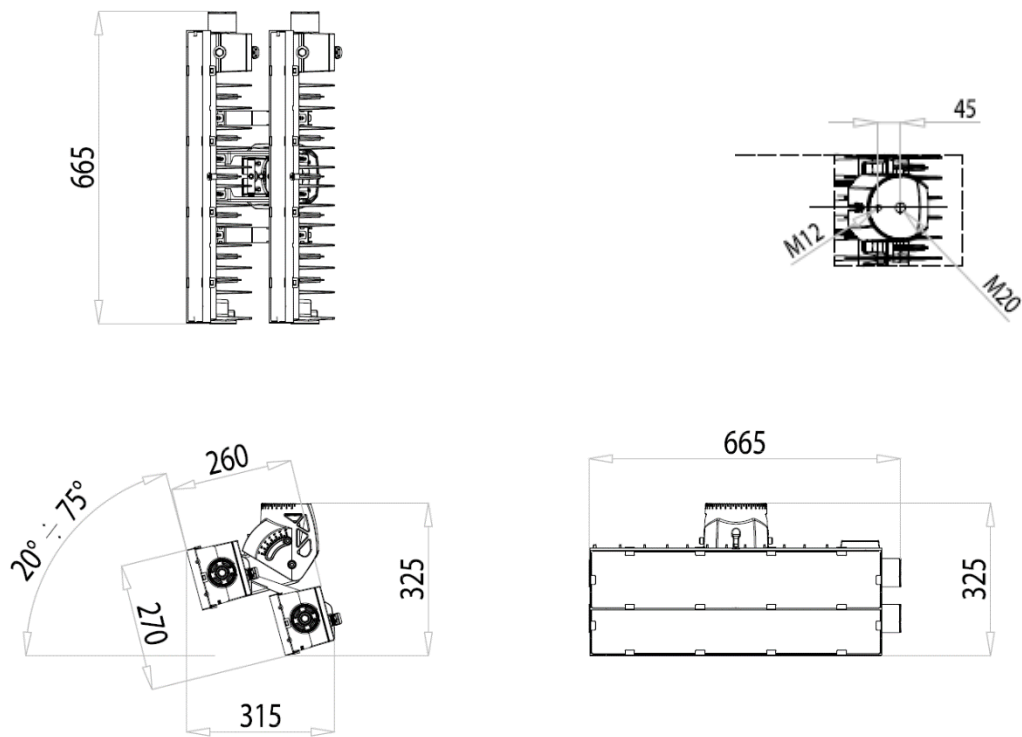


DIMENSIONAL DRAWINGS

ALO with C bracket



ALO with MICROMØVER



ALO 2 2AB10 SPORT LIGHTING – 7057 OT25

LUMINAIRE	OPTIC	LED CURRENT (mA)	RATED LUMINAIRE FLUX* (Tq=25°C, 5700K, lm)	RATED LUMINAIRE POWER* (Tq=25°C, Vin=230Vac, F, W)	LUMINAIRE EFFICACY (Tq=25°C, lm/W)	RATED LED FLUX* (Tj=85°C, 5700K, lm)	RATED LED POWER* (Tj=85°C, W)
ALO 2 2AB10 A25 7057.350-44M OT25	A25	350	65950	465	141.8	75400	425
ALO 2 2AB10 A25 7057.400-44M OT25	A25	400	74000	530	139.6	85400	485
ALO 2 2AB10 A25 7057.450-44M OT25	A25	450	81550	600	135.9	95100	555
ALO 2 2AB10 A25 7057.500-44M OT25	A25	500	88750	670	132.4	104700	620
ALO 2 2AB10 A25 7057.550-44M OT25	A25	550	95600	740	129.1	114100	690
ALO 2 2AB10 A25 7057.600-44M OT25	A25	600	102150	810	126.1	123400	755
ALO 2 2AB10 A25 7057.650-44M OT25	A25	650	108450	870	124.6	132500	825
ALO 2 2AB10 A25 7057.700-44M OT25	A25	700	114550	940	121.8	141400	895
ALO 2 2AB10 A25 7057.750-44M OT25	A25	750	120450	1010	119.2	150100	965
ALO 2 2AB10 A25 7057.800-44M OT25	A25	800	126300	1080	116.9	158800	1035
ALO 2 2AB10 A25 7057.825-44M OT25	A25	825	129200	1120	115.3	163100	1075
ALO 2 2AB10 A25 7057.350-44M ES OT25	A25	350	64630	465	138.9	75400	425
ALO 2 2AB10 A25 7057.400-44M ES OT25	A25	400	72520	530	136.8	85400	485
ALO 2 2AB10 A25 7057.450-44M ES OT25	A25	450	79920	600	133.2	95100	555
ALO 2 2AB10 A25 7057.500-44M ES OT25	A25	500	86980	670	129.8	104700	620
ALO 2 2AB10 A25 7057.550-44M ES OT25	A25	550	93690	740	126.6	114100	690
ALO 2 2AB10 A25 7057.600-44M ES OT25	A25	600	100110	810	123.5	123400	755
ALO 2 2AB10 A25 7057.650-44M ES OT25	A25	650	106280	870	122.1	132500	825
ALO 2 2AB10 A25 7057.700-44M ES OT25	A25	700	112260	940	119.4	141400	895
ALO 2 2AB10 A25 7057.750-44M ES OT25	A25	750	118040	1010	116.8	150100	965
ALO 2 2AB10 A25 7057.800-44M ES OT25	A25	800	123770	1080	114.6	158800	1035
ALO 2 2AB10 A25 7057.825-44M ES OT25	A25	825	126620	1120	113	163100	1075
ALO 2 2AB10 AM10 7057.350-44M OT25	AM10	350	62700	465	134.8	75400	425
ALO 2 2AB10 AM10 7057.400-44M OT25	AM10	400	70350	530	132.7	85400	485

LUMINAIRE	OPTIC	LED CURRENT (mA)	RATED LUMINAIRE FLUX* (Tq=25°C, 5700K, lm)	RATED LUMINAIRE POWER* (Tq=25°C, Vin=230Vac, F, W)	LUMINAIRE EFFICACY (Tq=25°C, lm/W)	RATED LED FLUX* (Tj=85°C, 5700K, lm)	RATED LED POWER* (Tj=85°C, W)
ALO 2 2AB10 AM10 7057.450-44M OT25	AM10	450	77550	600	129.2	95100	555
ALO 2 2AB10 AM10 7057.500-44M OT25	AM10	500	84400	670	125.9	104700	620
ALO 2 2AB10 AM10 7057.550-44M OT25	AM10	550	90900	740	122.8	114100	690
ALO 2 2AB10 AM10 7057.600-44M OT25	AM10	600	97100	810	119.8	123400	755
ALO 2 2AB10 AM10 7057.650-44M OT25	AM10	650	103100	870	118.5	132500	825
ALO 2 2AB10 AM10 7057.700-44M OT25	AM10	700	108900	940	115.8	141400	895
ALO 2 2AB10 AM10 7057.750-44M OT25	AM10	750	114550	1010	113.4	150100	965
ALO 2 2AB10 AM10 7057.800-44M OT25	AM10	800	120100	1080	111.2	158800	1035
ALO 2 2AB10 AM10 7057.825-44M OT25	AM10	825	122850	1120	109.6	163100	1075
ALO 2 2AB10 AM10 7057.350-44M ES OT25	AM10	350	60820	465	130.7	75400	425
ALO 2 2AB10 AM10 7057.400-44M ES OT25	AM10	400	68240	530	128.7	85400	485
ALO 2 2AB10 AM10 7057.450-44M ES OT25	AM10	450	75220	600	125.3	95100	555
ALO 2 2AB10 AM10 7057.500-44M ES OT25	AM10	500	81870	670	122.1	104700	620
ALO 2 2AB10 AM10 7057.550-44M ES OT25	AM10	550	88170	740	119.1	114100	690
ALO 2 2AB10 AM10 7057.600-44M ES OT25	AM10	600	94190	810	116.2	123400	755
ALO 2 2AB10 AM10 7057.650-44M ES OT25	AM10	650	100010	870	114.9	132500	825
ALO 2 2AB10 AM10 7057.700-44M ES OT25	AM10	700	105630	940	112.3	141400	895
ALO 2 2AB10 AM10 7057.750-44M ES OT25	AM10	750	111110	1010	110	150100	965
ALO 2 2AB10 AM10 7057.800-44M ES OT25	AM10	800	116500	1080	107.8	158800	1035
ALO 2 2AB10 AM10 7057.825-44M ES OT25	AM10	825	119160	1120	106.3	163100	1075
ALO 2 2AB10 AN10 7057.350-44M OT25	AN10	350	65800	465	141.5	75400	425
ALO 2 2AB10 AN10 7057.400-44M OT25	AN10	400	73800	530	139.2	85400	485
ALO 2 2AB10 AN10 7057.450-44M OT25	AN10	450	81400	600	135.6	95100	555
ALO 2 2AB10 AN10 7057.500-44M OT25	AN10	500	88550	670	132.1	104700	620
ALO 2 2AB10 AN10 7057.550-44M OT25	AN10	550	95400	740	128.9	114100	690

LUMINAIRE	OPTIC	LED CURRENT (mA)	RATED LUMINAIRE FLUX* (Tq=25°C, 5700K, lm)	RATED LUMINAIRE POWER* (Tq=25°C, Vin=230Vac, F, W)	LUMINAIRE EFFICACY (Tq=25°C, lm/W)	RATED LED FLUX* (Tj=85°C, 5700K, lm)	RATED LED POWER* (Tj=85°C, W)
ALO 2 2AB10 AN10 7057.600-44M OT25	AN10	600	101900	810	125.8	123400	755
ALO 2 2AB10 AN10 7057.650-44M OT25	AN10	650	108200	870	124.3	132500	825
ALO 2 2AB10 AN10 7057.700-44M OT25	AN10	700	114250	940	121.5	141400	895
ALO 2 2AB10 AN10 7057.750-44M OT25	AN10	750	120200	1010	119	150100	965
ALO 2 2AB10 AN10 7057.800-44M OT25	AN10	800	126000	1080	116.6	158800	1035
ALO 2 2AB10 AN10 7057.825-44M OT25	AN10	825	128900	1120	115	163100	1075
ALO 2 2AB10 AN10 7057.350-44M ES OT25	AN10	350	64480	465	138.6	75400	425
ALO 2 2AB10 AN10 7057.400-44M ES OT25	AN10	400	72320	530	136.4	85400	485
ALO 2 2AB10 AN10 7057.450-44M ES OT25	AN10	450	79770	600	132.9	95100	555
ALO 2 2AB10 AN10 7057.500-44M ES OT25	AN10	500	86780	670	129.5	104700	620
ALO 2 2AB10 AN10 7057.550-44M ES OT25	AN10	550	93490	740	126.3	114100	690
ALO 2 2AB10 AN10 7057.600-44M ES OT25	AN10	600	99860	810	123.2	123400	755
ALO 2 2AB10 AN10 7057.650-44M ES OT25	AN10	650	106040	870	121.8	132500	825
ALO 2 2AB10 AN10 7057.700-44M ES OT25	AN10	700	111970	940	119.1	141400	895
ALO 2 2AB10 AN10 7057.750-44M ES OT25	AN10	750	117800	1010	116.6	150100	965
ALO 2 2AB10 AN10 7057.800-44M ES OT25	AN10	800	123480	1080	114.3	158800	1035
ALO 2 2AB10 AN10 7057.825-44M ES OT25	AN10	825	126320	1120	112.7	163100	1075
ALO 2 2AB10 ASM 7057.350-44M OT25	ASM	350	66100	465	142.1	75400	425
ALO 2 2AB10 ASM 7057.400-44M OT25	ASM	400	74150	530	139.9	85400	485
ALO 2 2AB10 ASM 7057.450-44M OT25	ASM	450	81750	600	136.2	95100	555
ALO 2 2AB10 ASM 7057.500-44M OT25	ASM	500	88950	670	132.7	104700	620
ALO 2 2AB10 ASM 7057.550-44M OT25	ASM	550	95800	740	129.4	114100	690
ALO 2 2AB10 ASM 7057.600-44M OT25	ASM	600	102350	810	126.3	123400	755
ALO 2 2AB10 ASM 7057.650-44M OT25	ASM	650	108700	870	124.9	132500	825
ALO 2 2AB10 ASM 7057.700-44M OT25	ASM	700	114800	940	122.1	141400	895

LUMINAIRE	OPTIC	LED CURRENT (mA)	RATED LUMINAIRE FLUX* (Tq=25°C, 5700K, lm)	RATED LUMINAIRE POWER* (Tq=25°C, Vin=230Vac, F, W)	LUMINAIRE EFFICACY (Tq=25°C, lm/W)	RATED LED FLUX* (Tj=85°C, 5700K, lm)	RATED LED POWER* (Tj=85°C, W)
ALO 2 2AB10 ASM 7057.750-44M OT25	ASM	750	120750	1010	119.5	150100	965
ALO 2 2AB10 ASM 7057.800-44M OT25	ASM	800	126600	1080	117.2	158800	1035
ALO 2 2AB10 ASM 7057.825-44M OT25	ASM	825	129500	1120	115.6	163100	1075
ALO 2 2AB10 ASM 7057.350-44M ES OT25	ASM	350	64780	465	139.3	75400	425
ALO 2 2AB10 ASM 7057.400-44M ES OT25	ASM	400	72670	530	137.1	85400	485
ALO 2 2AB10 ASM 7057.450-44M ES OT25	ASM	450	80120	600	133.5	95100	555
ALO 2 2AB10 ASM 7057.500-44M ES OT25	ASM	500	87170	670	130.1	104700	620
ALO 2 2AB10 ASM 7057.550-44M ES OT25	ASM	550	93880	740	126.8	114100	690
ALO 2 2AB10 ASM 7057.600-44M ES OT25	ASM	600	100300	810	123.8	123400	755
ALO 2 2AB10 ASM 7057.650-44M ES OT25	ASM	650	106530	870	122.4	132500	825
ALO 2 2AB10 ASM 7057.700-44M ES OT25	ASM	700	112500	940	119.6	141400	895
ALO 2 2AB10 ASM 7057.750-44M ES OT25	ASM	750	118340	1010	117.1	150100	965
ALO 2 2AB10 ASM 7057.800-44M ES OT25	ASM	800	124070	1080	114.8	158800	1035
ALO 2 2AB10 ASM 7057.825-44M ES OT25	ASM	825	126910	1120	113.3	163100	1075
ALO 2 2AB10 ASN 7057.350-44M OT25	ASN	350	66500	465	143	75400	425
ALO 2 2AB10 ASN 7057.400-44M OT25	ASN	400	74600	530	140.7	85400	485
ALO 2 2AB10 ASN 7057.450-44M OT25	ASN	450	82200	600	137	95100	555
ALO 2 2AB10 ASN 7057.500-44M OT25	ASN	500	89450	670	133.5	104700	620
ALO 2 2AB10 ASN 7057.550-44M OT25	ASN	550	96350	740	130.2	114100	690
ALO 2 2AB10 ASN 7057.600-44M OT25	ASN	600	102950	810	127	123400	755
ALO 2 2AB10 ASN 7057.650-44M OT25	ASN	650	109300	870	125.6	132500	825
ALO 2 2AB10 ASN 7057.700-44M OT25	ASN	700	115450	940	122.8	141400	895
ALO 2 2AB10 ASN 7057.750-44M OT25	ASN	750	121450	1010	120.2	150100	965
ALO 2 2AB10 ASN 7057.800-44M OT25	ASN	800	127350	1080	117.9	158800	1035
ALO 2 2AB10 ASN 7057.825-44M OT25	ASN	825	130250	1120	116.2	163100	1075

LUMINAIRE	OPTIC	LED CURRENT (mA)	RATED LUMINAIRE FLUX* (Tq=25°C, 5700K, lm)	RATED LUMINAIRE POWER* (Tq=25°C, Vin=230Vac, F, W)	LUMINAIRE EFFICACY (Tq=25°C, lm/W)	RATED LED FLUX* (Tj=85°C, 5700K, lm)	RATED LED POWER* (Tj=85°C, W)
ALO 2 2AB10 ASN 7057.350-44M ES OT25	ASN	350	65170	465	140.1	75400	425
ALO 2 2AB10 ASN 7057.400-44M ES OT25	ASN	400	73110	530	137.9	85400	485
ALO 2 2AB10 ASN 7057.450-44M ES OT25	ASN	450	80560	600	134.2	95100	555
ALO 2 2AB10 ASN 7057.500-44M ES OT25	ASN	500	87660	670	130.8	104700	620
ALO 2 2AB10 ASN 7057.550-44M ES OT25	ASN	550	94420	740	127.5	114100	690
ALO 2 2AB10 ASN 7057.600-44M ES OT25	ASN	600	100890	810	124.5	123400	755
ALO 2 2AB10 ASN 7057.650-44M ES OT25	ASN	650	107110	870	123.1	132500	825
ALO 2 2AB10 ASN 7057.700-44M ES OT25	ASN	700	113140	940	120.3	141400	895
ALO 2 2AB10 ASN 7057.750-44M ES OT25	ASN	750	119020	1010	117.8	150100	965
ALO 2 2AB10 ASN 7057.800-44M ES OT25	ASN	800	124800	1080	115.5	158800	1035
ALO 2 2AB10 ASN 7057.825-44M ES OT25	ASN	825	127650	1120	113.9	163100	1075
ALO 2 2AB10 ASW 7057.350-44M OT25	ASW	350	66250	465	142.4	75400	425
ALO 2 2AB10 ASW 7057.400-44M OT25	ASW	400	74300	530	140.1	85400	485
ALO 2 2AB10 ASW 7057.450-44M OT25	ASW	450	81950	600	136.5	95100	555
ALO 2 2AB10 ASW 7057.500-44M OT25	ASW	500	89150	670	133	104700	620
ALO 2 2AB10 ASW 7057.550-44M OT25	ASW	550	96050	740	129.7	114100	690
ALO 2 2AB10 ASW 7057.600-44M OT25	ASW	600	102600	810	126.6	123400	755
ALO 2 2AB10 ASW 7057.650-44M OT25	ASW	650	108950	870	125.2	132500	825
ALO 2 2AB10 ASW 7057.700-44M OT25	ASW	700	115050	940	122.3	141400	895
ALO 2 2AB10 ASW 7057.750-44M OT25	ASW	750	121050	1010	119.8	150100	965
ALO 2 2AB10 ASW 7057.800-44M OT25	ASW	800	126900	1080	117.5	158800	1035
ALO 2 2AB10 ASW 7057.825-44M OT25	ASW	825	129800	1120	115.8	163100	1075
ALO 2 2AB10 ASW 7057.350-44M ES OT25	ASW	350	64260	465	138.1	75400	425
ALO 2 2AB10 ASW 7057.400-44M ES OT25	ASW	400	72070	530	135.9	85400	485
ALO 2 2AB10 ASW 7057.450-44M ES OT25	ASW	450	79490	600	132.4	95100	555

LUMINAIRE	OPTIC	LED CURRENT (mA)	RATED LUMINAIRE FLUX* (Tq=25°C, 5700K, lm)	RATED LUMINAIRE POWER* (Tq=25°C, Vin=230Vac, F, W)	LUMINAIRE EFFICACY (Tq=25°C, lm/W)	RATED LED FLUX* (Tj=85°C, 5700K, lm)	RATED LED POWER* (Tj=85°C, W)
ALO 2 2AB10 ASW 7057.500-44M ES OT25	ASW	500	86480	670	129	104700	620
ALO 2 2AB10 ASW 7057.550-44M ES OT25	ASW	550	93170	740	125.9	114100	690
ALO 2 2AB10 ASW 7057.600-44M ES OT25	ASW	600	99520	810	122.8	123400	755
ALO 2 2AB10 ASW 7057.650-44M ES OT25	ASW	650	105680	870	121.4	132500	825
ALO 2 2AB10 ASW 7057.700-44M ES OT25	ASW	700	111600	940	118.7	141400	895
ALO 2 2AB10 ASW 7057.750-44M ES OT25	ASW	750	117420	1010	116.2	150100	965
ALO 2 2AB10 ASW 7057.800-44M ES OT25	ASW	800	123090	1080	113.9	158800	1035
ALO 2 2AB10 ASW 7057.825-44M ES OT25	ASW	825	125910	1120	112.4	163100	1075
ALO 2 2AB10 AW10 7057.350-44M OT25	AW10	350	63000	465	135.4	75400	425
ALO 2 2AB10 AW10 7057.400-44M OT25	AW10	400	70700	530	133.3	85400	485
ALO 2 2AB10 AW10 7057.450-44M OT25	AW10	450	77900	600	129.8	95100	555
ALO 2 2AB10 AW10 7057.500-44M OT25	AW10	500	84800	670	126.5	104700	620
ALO 2 2AB10 AW10 7057.550-44M OT25	AW10	550	91300	740	123.3	114100	690
ALO 2 2AB10 AW10 7057.600-44M OT25	AW10	600	97550	810	120.4	123400	755
ALO 2 2AB10 AW10 7057.650-44M OT25	AW10	650	103600	870	119	132500	825
ALO 2 2AB10 AW10 7057.700-44M OT25	AW10	700	109400	940	116.3	141400	895
ALO 2 2AB10 AW10 7057.750-44M OT25	AW10	750	115100	1010	113.9	150100	965
ALO 2 2AB10 AW10 7057.800-44M OT25	AW10	800	120650	1080	111.7	158800	1035
ALO 2 2AB10 AW10 7057.825-44M OT25	AW10	825	123450	1120	110.2	163100	1075
ALO 2 2AB10 AW10 7057.350-44M ES OT25	AW10	350	60480	465	130	75400	425
ALO 2 2AB10 AW10 7057.400-44M ES OT25	AW10	400	67870	530	128	85400	485
ALO 2 2AB10 AW10 7057.450-44M ES OT25	AW10	450	74780	600	124.6	95100	555
ALO 2 2AB10 AW10 7057.500-44M ES OT25	AW10	500	81410	670	121.5	104700	620
ALO 2 2AB10 AW10 7057.550-44M ES OT25	AW10	550	87650	740	118.4	114100	690
ALO 2 2AB10 AW10 7057.600-44M ES OT25	AW10	600	93650	810	115.6	123400	755

LUMINAIRE	OPTIC	LED CURRENT (mA)	RATED LUMINAIRE FLUX* (Tq=25°C, 5700K, lm)	RATED LUMINAIRE POWER* (Tq=25°C, Vin=230Vac, F, W)	LUMINAIRE EFFICACY (Tq=25°C, lm/W)	RATED LED FLUX* (Tj=85°C, 5700K, lm)	RATED LED POWER* (Tj=85°C, W)
ALO 2 2AB10 AW10 7057.650-44M ES OT25	AW10	650	99460	870	114.3	132500	825
ALO 2 2AB10 AW10 7057.700-44M ES OT25	AW10	700	105020	940	111.7	141400	895
ALO 2 2AB10 AW10 7057.750-44M ES OT25	AW10	750	110500	1010	109.4	150100	965
ALO 2 2AB10 AW10 7057.800-44M ES OT25	AW10	800	115820	1080	107.2	158800	1035
ALO 2 2AB10 AW10 7057.825-44M ES OT25	AW10	825	118510	1120	105.8	163100	1075
ALO 2 2AB10 BAC 7057.350-44M OT25	BAC	350	63000	465	135.4	75400	425
ALO 2 2AB10 BAC 7057.400-44M OT25	BAC	400	70650	530	133.3	85400	485
ALO 2 2AB10 BAC 7057.450-44M OT25	BAC	450	77900	600	129.8	95100	555
ALO 2 2AB10 BAC 7057.500-44M OT25	BAC	500	84750	670	126.4	104700	620
ALO 2 2AB10 BAC 7057.550-44M OT25	BAC	550	91300	740	123.3	114100	690
ALO 2 2AB10 BAC 7057.600-44M OT25	BAC	600	97550	810	120.4	123400	755
ALO 2 2AB10 BAC 7057.650-44M OT25	BAC	650	103600	870	119	132500	825
ALO 2 2AB10 BAC 7057.700-44M OT25	BAC	700	109400	940	116.3	141400	895
ALO 2 2AB10 BAC 7057.750-44M OT25	BAC	750	115100	1010	113.9	150100	965
ALO 2 2AB10 BAC 7057.800-44M OT25	BAC	800	120650	1080	111.7	158800	1035
ALO 2 2AB10 BAC 7057.825-44M OT25	BAC	825	123400	1120	110.1	163100	1075
ALO 2 2AB10 BAC 7057.350-44M ES OT25	BAC	350	60480	465	130	75400	425
ALO 2 2AB10 BAC 7057.400-44M ES OT25	BAC	400	67820	530	127.9	85400	485
ALO 2 2AB10 BAC 7057.450-44M ES OT25	BAC	450	74780	600	124.6	95100	555
ALO 2 2AB10 BAC 7057.500-44M ES OT25	BAC	500	81360	670	121.4	104700	620
ALO 2 2AB10 BAC 7057.550-44M ES OT25	BAC	550	87650	740	118.4	114100	690
ALO 2 2AB10 BAC 7057.600-44M ES OT25	BAC	600	93650	810	115.6	123400	755
ALO 2 2AB10 BAC 7057.650-44M ES OT25	BAC	650	99460	870	114.3	132500	825
ALO 2 2AB10 BAC 7057.700-44M ES OT25	BAC	700	105020	940	111.7	141400	895
ALO 2 2AB10 BAC 7057.750-44M ES OT25	BAC	750	110500	1010	109.4	150100	965

LUMINAIRE	OPTIC	LED CURRENT (mA)	RATED LUMINAIRE FLUX* (Tq=25°C, 5700K, lm)	RATED LUMINAIRE POWER* (Tq=25°C, Vin=230Vac, F, W)	LUMINAIRE EFFICACY (Tq=25°C, lm/W)	RATED LED FLUX* (Tj=85°C, 5700K, lm)	RATED LED POWER* (Tj=85°C, W)
ALO 2 2AB10 BAC 7057.800-44M ES OT25	BAC	800	115820	1080	107.2	158800	1035
ALO 2 2AB10 BAC 7057.825-44M ES OT25	BAC	825	118460	1120	105.7	163100	1075
ALO 2 2AB10 BAL 7057.350-44M OT25	BAL	350	63800	465	137.2	75400	425
ALO 2 2AB10 BAL 7057.400-44M OT25	BAL	400	71550	530	135	85400	485
ALO 2 2AB10 BAL 7057.450-44M OT25	BAL	450	78850	600	131.4	95100	555
ALO 2 2AB10 BAL 7057.500-44M OT25	BAL	500	85800	670	128	104700	620
ALO 2 2AB10 BAL 7057.550-44M OT25	BAL	550	92400	740	124.8	114100	690
ALO 2 2AB10 BAL 7057.600-44M OT25	BAL	600	98750	810	121.9	123400	755
ALO 2 2AB10 BAL 7057.650-44M OT25	BAL	650	104850	870	120.5	132500	825
ALO 2 2AB10 BAL 7057.700-44M OT25	BAL	700	110750	940	117.8	141400	895
ALO 2 2AB10 BAL 7057.750-44M OT25	BAL	750	116450	1010	115.2	150100	965
ALO 2 2AB10 BAL 7057.800-44M OT25	BAL	800	122100	1080	113	158800	1035
ALO 2 2AB10 BAL 7057.825-44M OT25	BAL	825	124900	1120	111.5	163100	1075
ALO 2 2AB10 BAL 7057.350-44M ES OT25	BAL	350	61890	465	133	75400	425
ALO 2 2AB10 BAL 7057.400-44M ES OT25	BAL	400	69400	530	130.9	85400	485
ALO 2 2AB10 BAL 7057.450-44M ES OT25	BAL	450	76480	600	127.4	95100	555
ALO 2 2AB10 BAL 7057.500-44M ES OT25	BAL	500	83230	670	124.2	104700	620
ALO 2 2AB10 BAL 7057.550-44M ES OT25	BAL	550	89630	740	121.1	114100	690
ALO 2 2AB10 BAL 7057.600-44M ES OT25	BAL	600	95790	810	118.2	123400	755
ALO 2 2AB10 BAL 7057.650-44M ES OT25	BAL	650	101700	870	116.8	132500	825
ALO 2 2AB10 BAL 7057.700-44M ES OT25	BAL	700	107430	940	114.2	141400	895
ALO 2 2AB10 BAL 7057.750-44M ES OT25	BAL	750	112960	1010	111.8	150100	965
ALO 2 2AB10 BAL 7057.800-44M ES OT25	BAL	800	118440	1080	109.6	158800	1035
ALO 2 2AB10 BAL 7057.825-44M ES OT25	BAL	825	121150	1120	108.1	163100	1075
ALO 2 2AB10 BAR 7057.350-44M OT25	BAR	350	63800	465	137.2	75400	425

LUMINAIRE	OPTIC	LED CURRENT (mA)	RATED LUMINAIRE FLUX* (Tq=25°C, 5700K, lm)	RATED LUMINAIRE POWER* (Tq=25°C, Vin=230Vac, F, W)	LUMINAIRE EFFICACY (Tq=25°C, lm/W)	RATED LED FLUX* (Tj=85°C, 5700K, lm)	RATED LED POWER* (Tj=85°C, W)
ALO 2 2AB10 BAR 7057.400-44M OT25	BAR	400	71550	530	135	85400	485
ALO 2 2AB10 BAR 7057.450-44M OT25	BAR	450	78850	600	131.4	95100	555
ALO 2 2AB10 BAR 7057.500-44M OT25	BAR	500	85800	670	128	104700	620
ALO 2 2AB10 BAR 7057.550-44M OT25	BAR	550	92400	740	124.8	114100	690
ALO 2 2AB10 BAR 7057.600-44M OT25	BAR	600	98750	810	121.9	123400	755
ALO 2 2AB10 BAR 7057.650-44M OT25	BAR	650	104850	870	120.5	132500	825
ALO 2 2AB10 BAR 7057.700-44M OT25	BAR	700	110750	940	117.8	141400	895
ALO 2 2AB10 BAR 7057.750-44M OT25	BAR	750	116450	1010	115.2	150100	965
ALO 2 2AB10 BAR 7057.800-44M OT25	BAR	800	122100	1080	113	158800	1035
ALO 2 2AB10 BAR 7057.825-44M OT25	BAR	825	124900	1120	111.5	163100	1075
ALO 2 2AB10 BAR 7057.350-44M ES OT25	BAR	350	61890	465	133	75400	425
ALO 2 2AB10 BAR 7057.400-44M ES OT25	BAR	400	69400	530	130.9	85400	485
ALO 2 2AB10 BAR 7057.450-44M ES OT25	BAR	450	76480	600	127.4	95100	555
ALO 2 2AB10 BAR 7057.500-44M ES OT25	BAR	500	83230	670	124.2	104700	620
ALO 2 2AB10 BAR 7057.550-44M ES OT25	BAR	550	89630	740	121.1	114100	690
ALO 2 2AB10 BAR 7057.600-44M ES OT25	BAR	600	95790	810	118.2	123400	755
ALO 2 2AB10 BAR 7057.650-44M ES OT25	BAR	650	101700	870	116.8	132500	825
ALO 2 2AB10 BAR 7057.700-44M ES OT25	BAR	700	107430	940	114.2	141400	895
ALO 2 2AB10 BAR 7057.750-44M ES OT25	BAR	750	112960	1010	111.8	150100	965
ALO 2 2AB10 BAR 7057.800-44M ES OT25	BAR	800	118440	1080	109.6	158800	1035
ALO 2 2AB10 BAR 7057.825-44M ES OT25	BAR	825	121150	1120	108.1	163100	1075
ALO 2 2AB10 SP15 7057.350-44M OT25	SP15	350	67150	465	144.4	75400	425
ALO 2 2AB10 SP15 7057.400-44M OT25	SP15	400	75350	530	142.1	85400	485
ALO 2 2AB10 SP15 7057.450-44M OT25	SP15	450	83050	600	138.4	95100	555
ALO 2 2AB10 SP15 7057.500-44M OT25	SP15	500	90400	670	134.9	104700	620

LUMINAIRE	OPTIC	LED CURRENT (mA)	RATED LUMINAIRE FLUX* (Tq=25°C, 5700K, lm)	RATED LUMINAIRE POWER* (Tq=25°C, Vin=230Vac, F, W)	LUMINAIRE EFFICACY (Tq=25°C, lm/W)	RATED LED FLUX* (Tj=85°C, 5700K, lm)	RATED LED POWER* (Tj=85°C, W)
ALO 2 2AB10 SP15 7057.550-44M OT25	SP15	550	97350	740	131.5	114100	690
ALO 2 2AB10 SP15 7057.600-44M OT25	SP15	600	104000	810	128.3	123400	755
ALO 2 2AB10 SP15 7057.650-44M OT25	SP15	650	110450	870	126.9	132500	825
ALO 2 2AB10 SP15 7057.700-44M OT25	SP15	700	116650	940	124	141400	895
ALO 2 2AB10 SP15 7057.750-44M OT25	SP15	750	122700	1010	121.4	150100	965
ALO 2 2AB10 SP15 7057.800-44M OT25	SP15	800	128650	1080	119.1	158800	1035
ALO 2 2AB10 SP15 7057.825-44M OT25	SP15	825	131600	1120	117.5	163100	1075
ALO 2 2AB10 SP25 7057.350-44M OT25	SP25	350	67150	465	144.4	75400	425
ALO 2 2AB10 SP25 7057.400-44M OT25	SP25	400	75350	530	142.1	85400	485
ALO 2 2AB10 SP25 7057.450-44M OT25	SP25	450	83050	600	138.4	95100	555
ALO 2 2AB10 SP25 7057.500-44M OT25	SP25	500	90400	670	134.9	104700	620
ALO 2 2AB10 SP25 7057.550-44M OT25	SP25	550	97350	740	131.5	114100	690
ALO 2 2AB10 SP25 7057.600-44M OT25	SP25	600	104000	810	128.3	123400	755
ALO 2 2AB10 SP25 7057.650-44M OT25	SP25	650	110450	870	126.9	132500	825
ALO 2 2AB10 SP25 7057.700-44M OT25	SP25	700	116650	940	124	141400	895
ALO 2 2AB10 SP25 7057.750-44M OT25	SP25	750	122700	1010	121.4	150100	965
ALO 2 2AB10 SP25 7057.800-44M OT25	SP25	800	128650	1080	119.1	158800	1035
ALO 2 2AB10 SP25 7057.825-44M OT25	SP25	825	131600	1120	117.5	163100	1075
ALO 2 2AB10 SP40 7057.350-44M OT25	SP40	350	66500	465	143	75400	425
ALO 2 2AB10 SP40 7057.400-44M OT25	SP40	400	74600	530	140.7	85400	485
ALO 2 2AB10 SP40 7057.450-44M OT25	SP40	450	82250	600	137	95100	555
ALO 2 2AB10 SP40 7057.500-44M OT25	SP40	500	89500	670	133.5	104700	620
ALO 2 2AB10 SP40 7057.550-44M OT25	SP40	550	96400	740	130.2	114100	690
ALO 2 2AB10 SP40 7057.600-44M OT25	SP40	600	103000	810	127.1	123400	755
ALO 2 2AB10 SP40 7057.650-44M OT25	SP40	650	109350	870	125.6	132500	825

LUMINAIRE	OPTIC	LED CURRENT (mA)	RATED LUMINAIRE FLUX* (Tq=25°C, 5700K, lm)	RATED LUMINAIRE POWER* (Tq=25°C, Vin=230Vac, F, W)	LUMINAIRE EFFICACY (Tq=25°C, lm/W)	RATED LED FLUX* (Tj=85°C, 5700K, lm)	RATED LED POWER* (Tj=85°C, W)
ALO 2 2AB10 SP40 7057.700-44M OT25	SP40	700	115450	940	122.8	141400	895
ALO 2 2AB10 SP40 7057.750-44M OT25	SP40	750	121450	1010	120.2	150100	965
ALO 2 2AB10 SP40 7057.800-44M OT25	SP40	800	127350	1080	117.9	158800	1035
ALO 2 2AB10 SP40 7057.825-44M OT25	SP40	825	130250	1120	116.2	163100	1075
ALO 2 2AB10 SP55 7057.350-44M OT25	SP55	350	63650	465	136.8	75400	425
ALO 2 2AB10 SP55 7057.400-44M OT25	SP55	400	71400	530	134.7	85400	485
ALO 2 2AB10 SP55 7057.450-44M OT25	SP55	450	78700	600	131.1	95100	555
ALO 2 2AB10 SP55 7057.500-44M OT25	SP55	500	85650	670	127.8	104700	620
ALO 2 2AB10 SP55 7057.550-44M OT25	SP55	550	92250	740	124.6	114100	690
ALO 2 2AB10 SP55 7057.600-44M OT25	SP55	600	98550	810	121.6	123400	755
ALO 2 2AB10 SP55 7057.650-44M OT25	SP55	650	104650	870	120.2	132500	825
ALO 2 2AB10 SP55 7057.700-44M OT25	SP55	700	110550	940	117.6	141400	895
ALO 2 2AB10 SP55 7057.750-44M OT25	SP55	750	116250	1010	115	150100	965
ALO 2 2AB10 SP55 7057.800-44M OT25	SP55	800	121900	1080	112.8	158800	1035
ALO 2 2AB10 SP55 7057.825-44M OT25	SP55	825	124700	1120	111.3	163100	1075

*RATED LUMINAIRE FLUX / RATED LUMINAIRE POWER: Rated data obtained in laboratory.

*RATED LED FLUX / RATED LED POWER: Rated data extrapolated from LED manufacturer datasheet.

Values indicated in this technical sheet are to be considered rated values. Flux tolerance: $\pm 7\%$. Power tolerance: $\pm 10\%$.

The characteristics of the product listed above are subjected to change without notice.

Performance data for other operating temperatures (OT) and other combinations of CRI and CCT available on request.

There may be current limitations depending on the operating temperature. See dedicated section on following pages.