

## iBox Smart

### MAIN CHARACTERISTICS

<b>Applications</b>	Street lighting.	
<b>Optic</b>	STU-M/S: Asymmetrical optic for street, urban and cycle-path lighting. STE-M/S: Asymmetrical optic for suburban street lighting. STW: Asymmetrical optic for wide urban and suburban road lighting, specific for wet asphalts. SV/SV2: Asymmetrical optic for very narrow urban streets or highway entrance/exit turns. S05: Asymmetrical optic for street, urban and green areas lighting. S: Symmetrical optic for urban lighting and green areas. TS: Symmetrical optic for centre road lighting. Colour temperature: 4000K (3000K optional)   CRI ≥ 70 Photobiological safety class: EXEMPT GROUP LED source efficiency: 168 lm/W @ 525mA, Tj=85°C, 4000K	
<b>Insulation class</b>	II, I	
<b>Protection degree</b>	Optical unit: IP66 Gear tray: IP20 (can be installed on devices with IP ≥ 55) IK08 (Optical unit)	
<b>Dimensions</b>	<i>See the drawing</i>	
<b>Weight</b>	1 - 2 LED Modules: max 1,8 kg	3 - 4 LED Modules: max 3 kg
<b>Mounting</b>	Prepared for mounting on plate	
<b>Gear tray</b>	Removable	
<b>Operating temp.</b>	-40°C / +35°C	
<b>Storage temperature</b>	-40°C / +80°C	
<b>Main reference standards</b>	EN 62031, EN 62778, EN 62717, EN 61347-1, EN 61374-2-13, EN 62384, EN 61547	



### ELECTRICAL CHARACTERISTICS

<b>Rated voltage</b>	220÷240V 50/60Hz	
<b>Power factor</b>	>0,9 (at full load)	
<b>Mains connection</b>	Connectors for cables max sections 2,5mm <sup>2</sup>	
<b>Surge protection</b>	Up to 10kV   With SPD (optional) 10kV / 10kV CM/DM	
<b>SPD (optional)</b>	10kV-10kA, type 2+3, with LED signal and thermo fuse to disconnect load at the end of life.	
<b>Control system (options)</b>	WL: Wireless single point communication system. DALI: Digital dimming interface DALI.	
<b>Optical unit lifetime (Tq=25°C, 700mA)</b>	>100.000hr L90B10 >100.000hr L90, TM-21	

### MATERIALS

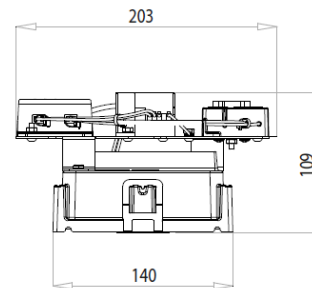
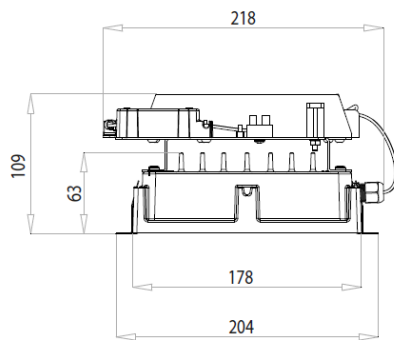
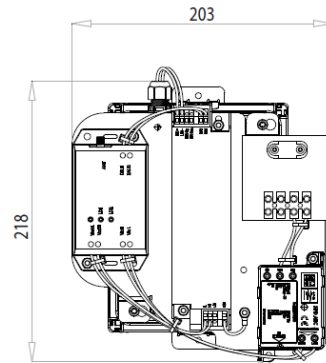
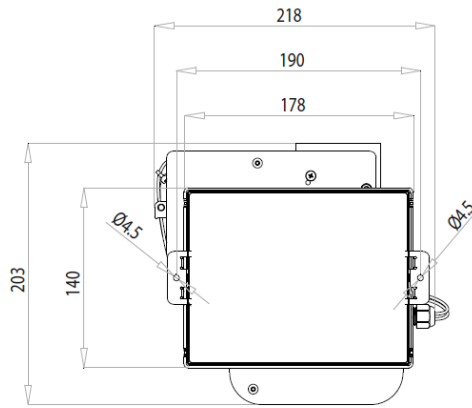
<b>Optical unit</b>	Die-cast aluminum UNI EN1706 powder painted.	
<b>Optic</b>	99.85% aluminum with a surface finish in 99.95% with vacuum-sealed deposition. Aluminum grade class A+ (DIN EN 16268)	
<b>Screen</b>	Flat tempered glass, 4mm thickness PCG.	
<b>Colour</b>	Graphite - Cod. 01	



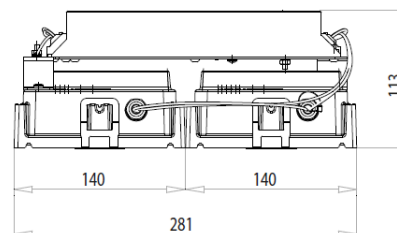
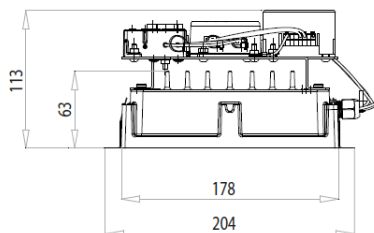
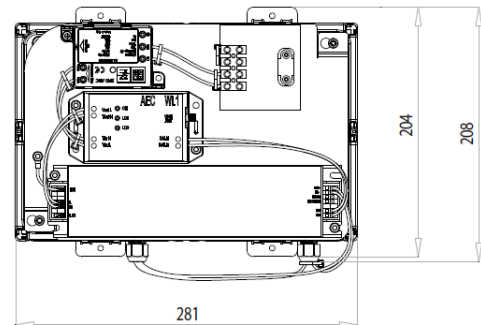
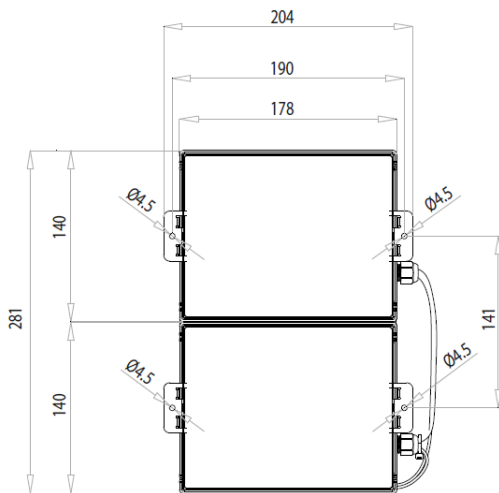


**DIMENSIONAL DRAWINGS**

**1 – 2 LED MODULES**



**3 – 4 LED MODULES**





LUMINAIRE	OPTIC	LED CURRENT (mA)	RATED LUMINAIRE FLUX* (Tq=25°C, 4000K, lm)	RATED LUMINAIRE POWER* (Tq=25°C, Vin=230Vac, F/DA/DAC, W)	LUMINAIRE EFFICACY (Tq=25°C, lm/W)	RATED LED FLUX* (Tj=85°C, 4000K, lm)	RATED LED POWER* (Tj=85°C, W)
iBox Smart 0F2H1 4.5-1M PCG	S05	525	1700	16	106	2184	13
iBox Smart 0F2H1 4.5-2M PCG	STU-M		3330	30.5	109	4368	26
iBox Smart 0F2H1 4.5-3M PCG	STU-S		4990	44	113	6552	39
iBox Smart 0F2H1 4.5-4M PCG	SV SV2 TS		6450	57	113	8736	52
iBox Smart 0F2H1 4.7-1M PCG	S05	700	2180	21.5	101	2765	18
iBox Smart 0F2H1 4.7-2M PCG	STU-M		4260	40	106	5530	36
iBox Smart 0F2H1 4.7-3M PCG	STU-S		6340	58	109	8295	54
iBox Smart 0F2H1 4.7-4M PCG	SV SV2 TS		8110	76	106	11060	72
iBox Smart 0F3 4.5-1M PCG	STE-M STE-S STW	525	2350	21.5	109	2950	17
iBox Smart 0F3 4.5-2M PCG			4650	39	119	5900	34
iBox Smart 0F3 4.5-3M PCG			6760	57	118	8850	51
iBox Smart 0F3 4.5-4M PCG			8970	76	118	11800	68
iBox Smart 0F3 4.7-1M PCG	STE-M	700	2950	28	105	3735	24
iBox Smart 0F3 4.7-2M PCG	STE-S		5890	52	113	7470	48
iBox Smart 0F3 4.7-3M PCG	STW		8500	76	111	11205	72
iBox Smart 0F3 4.5-1M PCG	S05	525	2260	21.5	105	2950	17
iBox Smart 0F3 4.5-2M PCG			4470	39	114	5900	34
iBox Smart 0F3 4.5-3M PCG			6490	57	113	8850	51
iBox Smart 0F3 4.5-4M PCG			8620	76	113	11800	68
iBox Smart 0F3 4.7-1M PCG	S05	700	2830	28	101	3735	24
iBox Smart 0F3 4.7-2M PCG			5650	52	108	7470	48
iBox Smart 0F3 4.7-3M PCG			8160	76	107	11205	72



LUMINAIRE	OPTIC	LED CURRENT (mA)	RATED LUMINAIRE FLUX* (Tq=25°C, 4000K, lm)	RATED LUMINAIRE POWER* (Tq=25°C, Vin=230Vac, F/DA/DAC, W)	LUMINAIRE EFFICACY (Tq=25°C, lm/W)	RATED LED FLUX* (Tj=85°C, 4000K, lm)	RATED LED POWER* (Tj=85°C, W)
iBox Smart 0F2H1 4.5-2M PCG	S	525	3330	30.5	109	4368	26
iBox Smart 0F2H1 4.5-4M PCG			6450	57	113	8736	52
iBox Smart 0F2H1 4.7-2M PCG	S	700	4260	40	106	5530	36
iBox Smart 0F2H1 4.7-4M PCG			8110	76	106	11060	72

\*RATED LUMINAIRE FLUX / RATED LUMINAIRE POWER: Rated data obtained in laboratory.

\*RATED LED FLUX / RATED LED POWER: Rated data extrapolated from LED manufacturer datasheet.

Values indicated in this technical sheet are to be considered rated values. Flux tolerance: ±7%. Power tolerance: ±5%.

The characteristics of the product listed above are subjected to change without notice.



LUMINAIRE	OPTIC	LED CURRENT (mA)	RATED LUMINAIRE FLUX* (Tq=25°C, 3000K, lm)	RATED LUMINAIRE POWER* (Tq=25°C, Vin=230Vac, F/DA/DAC, W)	LUMINAIRE EFFICACY (Tq=25°C, lm/W)	RATED LED FLUX* (Tj=85°C, 3000K, lm)	RATED LED POWER* (Tj=85°C, W)
iBox Smart 0F2H1 3.5-1M PCG	S05	525	1580	16	98	1990	13
iBox Smart 0F2H1 3.5-2M PCG	STU-M		3100	30.5	101	3980	26
iBox Smart 0F2H1 3.5-3M PCG	STU-S		4640	44	105	5970	39
iBox Smart 0F2H1 3.5-4M PCG	SV SV2 TS		6000	57	105	7960	52
iBox Smart 0F2H1 3.7-1M PCG	S05	700	2030	21.5	94	2520	18
iBox Smart 0F2H1 3.7-2M PCG	STU-M		3960	40	99	5040	36
iBox Smart 0F2H1 3.7-3M PCG	STU-S		5900	58	101	7560	54
iBox Smart 0F2H1 3.7-4M PCG	SV SV2 TS		7540	76	99	10080	72
iBox Smart 0F3 3.5-1M PCG	STE-M STE-S STW	525	2190	21.5	101	2701	17
iBox Smart 0F3 3.5-2M PCG			4320	39	110	5402	34
iBox Smart 0F3 3.5-3M PCG			6290	57	110	8103	51
iBox Smart 0F3 3.5-4M PCG			8340	76	109	10804	68
iBox Smart 0F3 3.7-1M PCG	STE-M	700	2740	28	97	3420	24
iBox Smart 0F3 3.7-2M PCG	STE-S		5480	52	105	6840	48
iBox Smart 0F3 3.7-3M PCG	STW		7910	76	104	10260	72
iBox Smart 0F3 3.5-1M PCG	S05	525	2100	21.5	97	2701	17
iBox Smart 0F3 3.5-2M PCG			4160	39	106	5402	34
iBox Smart 0F3 3.5-3M PCG			6040	57	105	8103	51
iBox Smart 0F3 3.5-4M PCG			8020	76	105	10804	68
iBox Smart 0F3 3.7-1M PCG	S05	700	2630	28	93	3420	24
iBox Smart 0F3 3.7-2M PCG			5250	52	100	6840	48
iBox Smart 0F3 3.7-3M PCG			7590	76	99	10260	72



LUMINAIRE	OPTIC	LED CURRENT (mA)	RATED LUMINAIRE FLUX* (Tq=25°C, 3000K, lm)	RATED LUMINAIRE POWER* (Tq=25°C, Vin=230Vac, F/DA/DAC, W)	LUMINAIRE EFFICACY (Tq=25°C, lm/W)	RATED LED FLUX* (Tj=85°C, 3000K, lm)	RATED LED POWER* (Tj=85°C, W)
iBox Smart 0F2H1 3.5-2M PCG	S	525	3100	30.5	101	3980	26
iBox Smart 0F2H1 3.5-4M PCG			6000	57	105	7960	52
iBox Smart 0F2H1 3.7-2M PCG	S	700	3960	40	99	5040	36
iBox Smart 0F2H1 3.7-4M PCG			7540	76	99	10080	72

\*RATED LUMINAIRE FLUX / RATED LUMINAIRE POWER: Rated data obtained in laboratory.

\*RATED LED FLUX / RATED LED POWER: Rated data extrapolated from LED manufacturer datasheet.

Values indicated in this technical sheet are to be considered rated values. Flux tolerance: ±7%. Power tolerance: ±5%.

The characteristics of the product listed above are subjected to change without notice.