

## iBox

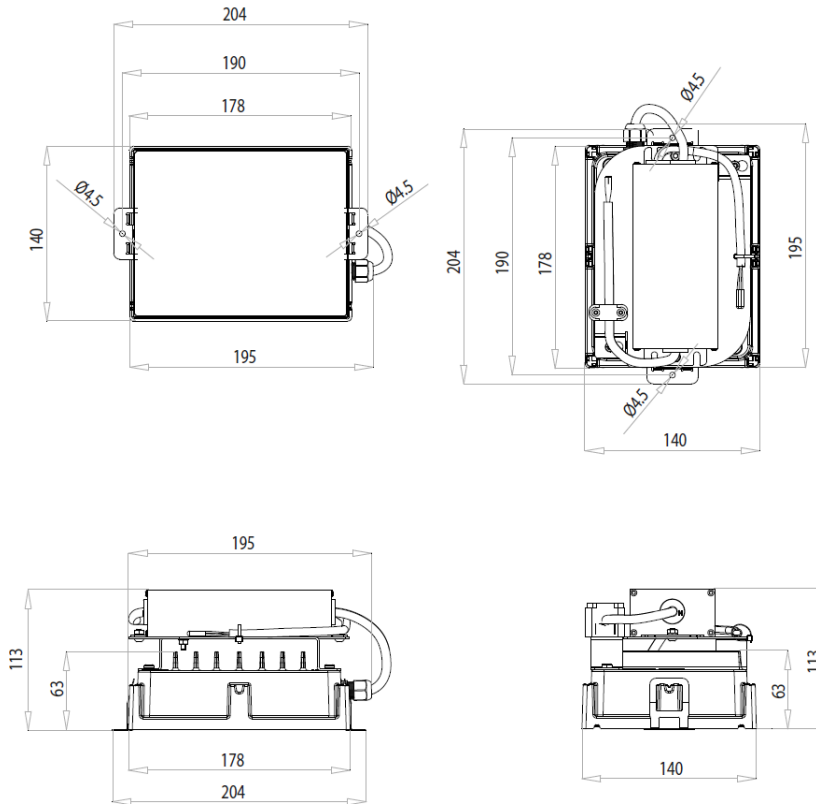
### MAIN CHARACTERISTICS

<b>Applications</b>	Street lighting.	
<b>Optic</b>	<p>STU-M/S: Asymmetrical optic for street, urban and cycle-path lighting.          STE-M/S: Asymmetrical optic for suburban street lighting.          STW: Asymmetrical optic for wide urban and suburban road lighting, specific for wet asphalts.          SV/SV2: Asymmetrical optic for very narrow urban streets or highway entrance/exit turns.          S05: Asymmetrical optic for street, urban and green areas lighting.          S: Symmetrical optic for urban lighting and green areas.          TS: Symmetrical optic for centre road lighting.          Colour temperature: 4000K (3000K optional)   CRI ≥ 70          Photobiological safety class: EXEMPT GROUP          LED source efficiency: 168 lm/W @ 525mA, Tj=85°C, 4000K</p>	
<b>Insulation class</b>	II, I	
<b>Protection degree</b>	Optical unit: IP66 Driver: IP67 IK08	
<b>Dimensions</b>	<i>See the drawing</i>	
<b>Weight</b>	1 - 2 LED Modules: max 1,8 kg	3 - 4 LED Modules: max: 3,6 kg
<b>Mounting</b>	Prepared for mounting on plate	
<b>Gear tray</b>	Removable	
<b>Operating temp.</b>	-40°C / +35°C	
<b>Storage temperature</b>	-40°C / +80°C	
<b>Main reference standards</b>	EN 62031, EN 62778, EN 62717, EN 61347-1, EN 61374-2-13, EN 62384, EN 61547	
<b>ELECTRICAL CHARACTERISTICS</b>		
<b>Rated voltage</b>	220÷240V 50/60Hz	
<b>Power factor</b>	>0,9 (at full load)	
<b>Mains connection</b>	Cable: H05RN-F 2/3x1mm <sup>2</sup> L = 0.65 m. Optional: connector M/F IP66/68 for cables max. 2,5mm <sup>2</sup> , Ø max. 12mm	
<b>Surge protection</b>	CL. II: 8kV / 10kV CM/DM CL. I: 10kV / 10kV CM/DM (optional)	
<b>Control system (options)</b>	F: Fixed power not dimmable. DA: Automatic dimming (virtual midnight) with default profile. DAC: Custom DA profile. FLC: Constant light flux. D10: Dimming interface with 1-10V signal.	
<b>Optical unit lifetime (Tq=25°C, 700mA)</b>	>100.000hr L90B10 >100.000hr L90, TM-21	
<b>MATERIALS</b>		
<b>Optical unit</b>	Die-cast aluminum UNI EN1706 powder painted.	
<b>Optic</b>	99.85% aluminum with a surface finish in 99.95% with vacuum-sealed deposition. Aluminum grade class A+ (DIN EN 16268)	
<b>Screen</b>	Flat tempered glass, 4mm thickness PCG.	
<b>Colour</b>	Graphite - Cod. 01	

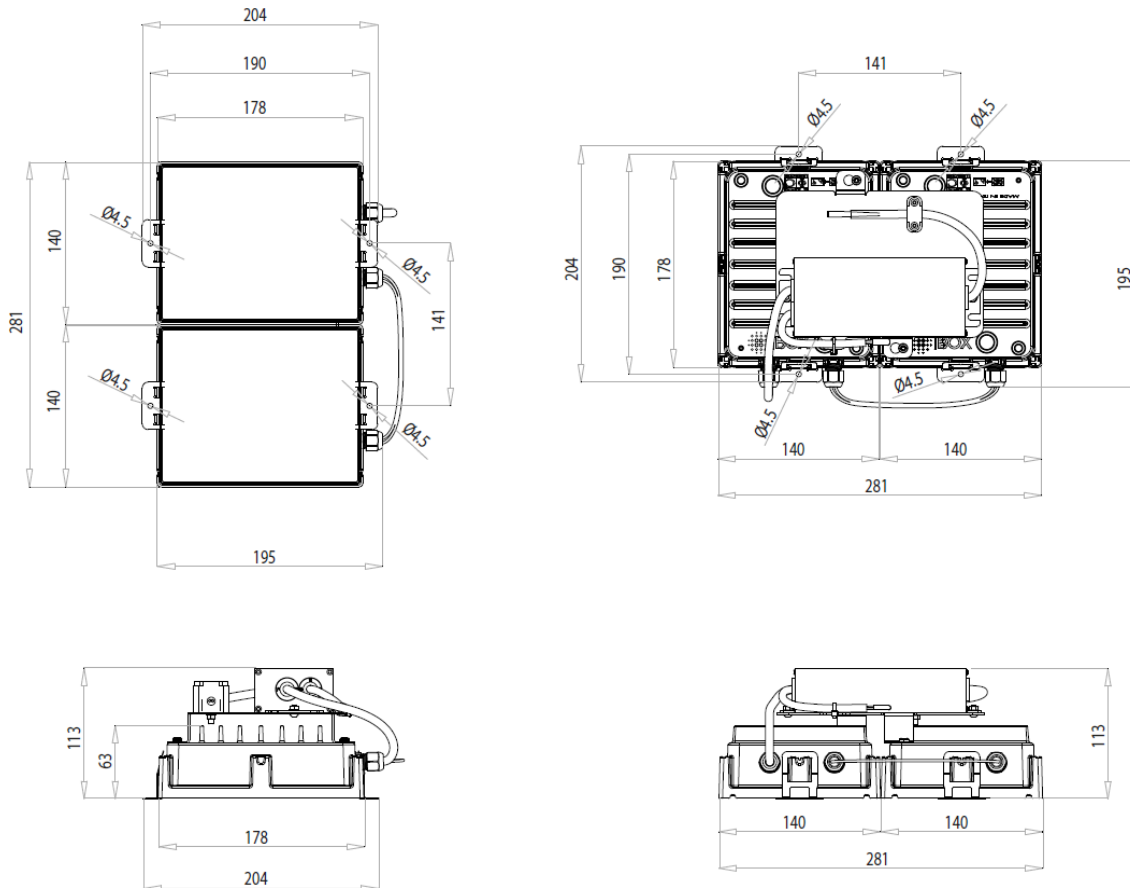


**DIMENSIONAL DRAWINGS**

**1 – 2 LED MODULES**



**3 – 4 LED MODULES**





LUMINAIRE	OPTIC	LED CURRENT (mA)	RATED LUMINAIRE FLUX* (Tq=25°C, 4000K, lm)	RATED LUMINAIRE POWER* (Tq=25°C, Vin=230Vac, F/DA/DAC, W)	LUMINAIRE EFFICACY (Tq=25°C, lm/W)	RATED LED FLUX* (Tj=85°C, 4000K, lm)	RATED LED POWER* (Tj=85°C, W)
iBox 0F2H1 4.5-1M PCG	S05	525	1700	16.5	103	2184	13
iBox 0F2H1 4.5-2M PCG	STU-M		3330	31	107	4368	26
iBox 0F2H1 4.5-3M PCG	STU-S		4990	45	110	6552	39
iBox 0F2H1 4.5-4M PCG	SV SV2 TS		6450	58	111	8736	52
iBox 0F2H1 4.7-1M PCG	S05	700	2180	22	99	2765	18
iBox 0F2H1 4.7-2M PCG	STU-M		4260	41	103	5530	36
iBox 0F2H1 4.7-3M PCG	STU-S		6340	59	107	8295	54
iBox 0F2H1 4.7-4M PCG	SV SV2 TS		8110	77.5	104	11060	72
iBox 0F3 4.5-1M PCG	STE-M STE-S STW	525	2350	22	106	2950	17
iBox 0F3 4.5-2M PCG			4650	40	116	5900	34
iBox 0F3 4.5-3M PCG			6760	58	116	8850	51
iBox 0F3 4.5-4M PCG			8970	77.5	115	11800	68
iBox 0F3 4.7-1M PCG	STE-M	700	2950	28.5	103	3735	24
iBox 0F3 4.7-2M PCG	STE-S		5890	53	111	7470	48
iBox 0F3 4.7-3M PCG	STW		8500	77.5	109	11205	72
iBox 0F3 4.5-1M PCG	S05	525	2260	22	102	2950	17
iBox 0F3 4.5-2M PCG			4470	40	111	5900	34
iBox 0F3 4.5-3M PCG			6490	58	111	8850	51
iBox 0F3 4.5-4M PCG			8620	77.5	111	11800	68
iBox 0F3 4.7-1M PCG	S05	700	2830	28.5	99	3735	24
iBox 0F3 4.7-2M PCG			5650	53	106	7470	48
iBox 0F3 4.7-3M PCG			8160	77.5	105	11205	72



LUMINAIRE	OPTIC	LED CURRENT (mA)	RATED LUMINAIRE FLUX* (Tq=25°C, 4000K, lm)	RATED LUMINAIRE POWER* (Tq=25°C, Vin=230Vac, F/DA/DAC, W)	LUMINAIRE EFFICACY (Tq=25°C, lm/W)	RATED LED FLUX* (Tj=85°C, 4000K, lm)	RATED LED POWER* (Tj=85°C, W)
iBox 0F2H1 4.5-2M PCG	S	525	3330	31	107	4368	26
iBox 0F2H1 4.5-4M PCG			6450	58	111	8736	52
iBox 0F2H1 4.7-2M PCG	S	700	4260	41	103	5530	36
iBox 0F2H1 4.7-4M PCG			8110	77.5	104	11060	72

\*RATED LUMINAIRE FLUX / RATED LUMINAIRE POWER: Rated data obtained in laboratory.

\*RATED LED FLUX / RATED LED POWER: Rated data extrapolated from LED manufacturer datasheet.

Values indicated in this technical sheet are to be considered rated values. Flux tolerance: ±7%. Power tolerance: ±10%.

The characteristics of the product listed above are subjected to change without notice.

LUMINAIRE	OPTIC	LED CURRENT (mA)	RATED LUMINAIRE FLUX* (Tq=25°C, 3000K, lm)	RATED LUMINAIRE POWER* (Tq=25°C, Vin=230Vac, F/DA/DAC, W)	LUMINAIRE EFFICACY (Tq=25°C, lm/W)	RATED LED FLUX* (Tj=85°C, 3000K, lm)	RATED LED POWER* (Tj=85°C, W)
iBox 0F2H1 3.5-1M PCG	S05	525	1580	16.5	95	1990	13
iBox 0F2H1 3.5-2M PCG	STU-M		3100	31	100	3980	26
iBox 0F2H1 3.5-3M PCG	STU-S		4640	45	103	5970	39
iBox 0F2H1 3.5-4M PCG	SV SV2 TS		6000	58	103	7960	52
iBox 0F2H1 3.7-1M PCG	S05	700	2030	22	92	2520	18
iBox 0F2H1 3.7-2M PCG	STU-M		3960	41	96	5040	36
iBox 0F2H1 3.7-3M PCG	STU-S		5900	59	100	7560	54
iBox 0F2H1 3.7-4M PCG	SV SV2 TS		7540	77.5	97	10080	72
iBox 0F3 3.5-1M PCG	STE-M STE-S STW	525	2190	22	99	2701	17
iBox 0F3 3.5-2M PCG			4320	40	108	5402	34
iBox 0F3 3.5-3M PCG			6290	58	108	8103	51
iBox 0F3 3.5-4M PCG			8340	77.5	107	10804	68
iBox 0F3 3.7-1M PCG	STE-M	700	2740	28.5	96	3420	24
iBox 0F3 3.7-2M PCG	STE-S		5480	53	103	6840	48
iBox 0F3 3.7-3M PCG	STW		7910	77.5	102	10260	72
iBox 0F3 3.5-1M PCG	S05	525	2100	22	95	2701	17
iBox 0F3 3.5-2M PCG			4160	40	104	5402	34
iBox 0F3 3.5-3M PCG			6040	58	104	8103	51
iBox 0F3 3.5-4M PCG			8020	77.5	103	10804	68
iBox 0F3 3.7-1M PCG	S05	700	2630	28.5	92	3420	24
iBox 0F3 3.7-2M PCG			5250	53	99	6840	48
iBox 0F3 3.7-3M PCG			7590	77.5	97	10260	72



LUMINAIRE	OPTIC	LED CURRENT (mA)	RATED LUMINAIRE FLUX* (Tq=25°C, 3000K, lm)	RATED LUMINAIRE POWER* (Tq=25°C, Vin=230Vac, F/DA/DAC, W)	LUMINAIRE EFFICACY (Tq=25°C, lm/W)	RATED LED FLUX* (Tj=85°C, 3000K, lm)	RATED LED POWER* (Tj=85°C, W)
iBox 0F2H1 3.5-2M PCG	S	525	3100	31	100	3980	26
iBox 0F2H1 3.5-4M PCG			6000	58	103	7960	52
iBox 0F2H1 3.7-2M PCG	S	700	3960	41	96	5040	36
iBox 0F2H1 3.7-4M PCG			7540	77.5	97	10080	72

\*RATED LUMINAIRE FLUX / RATED LUMINAIRE POWER: Rated data obtained in laboratory.

\*RATED LED FLUX / RATED LED POWER: Rated data extrapolated from LED manufacturer datasheet.

Values indicated in this technical sheet are to be considered rated values. Flux tolerance: ±7%. Power tolerance: ±10%.

The characteristics of the product listed above are subjected to change without notice.