

iBox Smart

MAIN CHARACTERISTICS

Applications	Street lighting.	
Optic	STU-M/S: Asymmetrical optic for street, urban and cycle-path lighting. STE-M/S: Asymmetrical optic for suburban street lighting. STW: Asymmetrical optic for wide urban and suburban road lighting, specific for wet asphalts. SV/SV2: Asymmetrical optic for very narrow urban streets or highway entrance/exit turns. S05: Asymmetrical optic for street, urban and green areas lighting. S: Symmetrical optic for urban lighting and green areas. TS: Symmetrical optic for centre road lighting. Colour temperature: 4000K (3000K optional) CRI ≥ 70 Photobiological safety class: EXEMPT GROUP LED source efficiency: 168 lm/W @ 525mA, Tj=85°C, 4000K	
Insulation class	II, I	
Protection degree	Optical unit: IP66 Gear tray: IP20 (can be installed on devices with IP ≥ 55) IK08 (Optical unit)	
Dimensions	<i>See the drawing</i>	
Weight	1 - 2 LED Modules: max 1,8 kg	3 - 4 LED Modules: max 3 kg
Mounting	Prepared for mounting on plate	
Gear tray	Removable	
Operating temp.	-40°C / +35°C	
Storage temperature	-40°C / +80°C	
Main reference standards	EN 62031, EN 62778, EN 62717, EN 61347-1, EN 61374-2-13, EN 62384, EN 61547	



ELECTRICAL CHARACTERISTICS

Rated voltage	220÷240V 50/60Hz	
Power factor	>0,9 (at full load)	
Mains connection	Connectors for cables max sections 2,5mm ²	
Surge protection	Up to 10kV With SPD (optional) 10kV / 10kV CM/DM	
SPD (optional)	10kV-10kA, type 2+3, with LED signal and thermo fuse to disconnect load at the end of life.	
Control system (options)	WL: Wireless single point communication system. DALI: Digital dimming interface DALI.	
Optical unit lifetime (Tq=25°C, 700mA)	>100.000hr L90B10 >100.000hr L90, TM-21	

MATERIALS

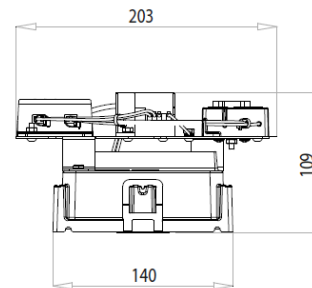
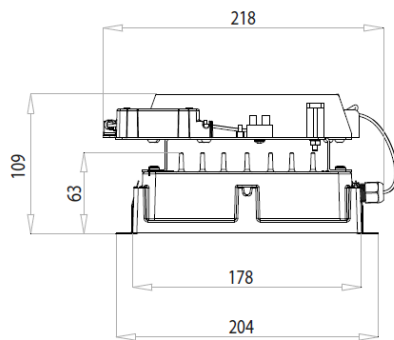
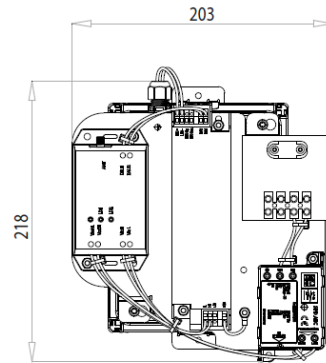
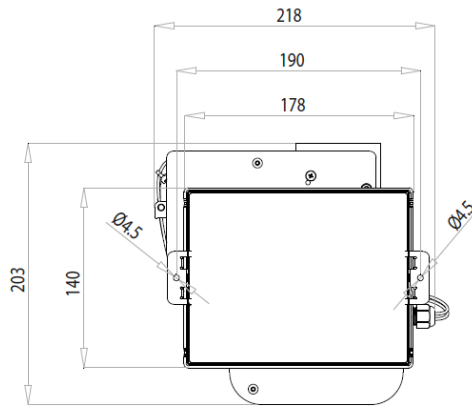
Optical unit	Die-cast aluminum UNI EN1706 powder painted.
Optic	99.85% aluminum with a surface finish in 99.95% with vacuum-sealed deposition. Aluminum grade class A+ (DIN EN 16268)
Screen	Flat tempered glass, 4mm thickness PCG.
Colour	Graphite - Cod. 01



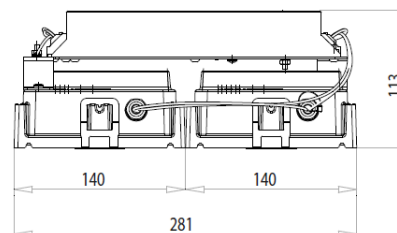
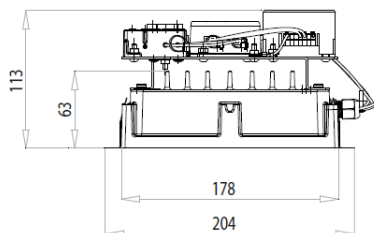
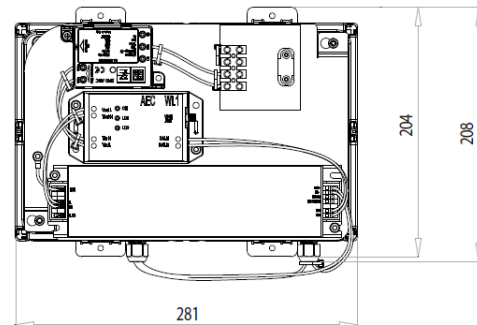
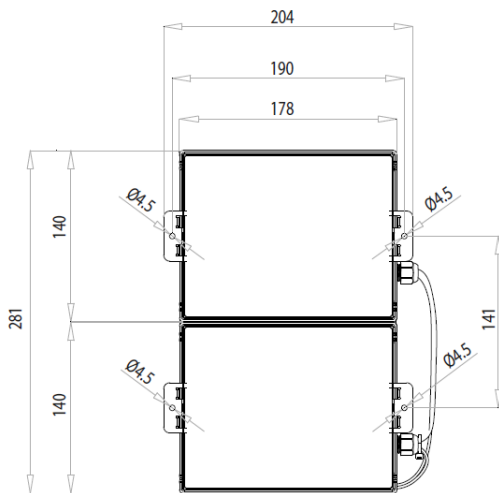


DIMENSIONAL DRAWINGS

1 – 2 LED MODULES



3 – 4 LED MODULES





LUMINAIRE	OPTIC	LED CURRENT (mA)	RATED LUMINAIRE FLUX* (Tq=25°C, 4000K, lm)	RATED LUMINAIRE POWER* (Tq=25°C, Vin=230Vac, F/DA/DAC, W)	LUMINAIRE EFFICACY (Tq=25°C, lm/W)	RATED LED FLUX* (Tj=85°C, 4000K, lm)	RATED LED POWER* (Tj=85°C, W)
iBox Smart 0F2H1 4.5-1M PCG	S05	525	1690	16	105	2184	13
iBox Smart 0F2H1 4.5-2M PCG	STU-M		3320	30.5	108	4368	26
iBox Smart 0F2H1 4.5-3M PCG	STU-S		4980	44	113	6553	39
iBox Smart 0F2H1 4.5-4M PCG	SV SV2 TS		6430	57	112	8737	52
iBox Smart 0F2H1 4.7-1M PCG	S05	700	2180	21.5	101	2765	17
iBox Smart 0F2H1 4.7-2M PCG	STU-M		4250	40	106	5530	35
iBox Smart 0F2H1 4.7-3M PCG	STU-S		6330	58	109	8295	53
iBox Smart 0F2H1 4.7-4M PCG	SV SV2 TS		8090	76	106	11060	71
iBox Smart 0F3 4.5-1M PCG	STE-M STE-S STW	525	2350	21.5	109	2950	17
iBox Smart 0F3 4.5-2M PCG			4640	39	118	5901	34
iBox Smart 0F3 4.5-3M PCG			6740	57	118	8851	52
iBox Smart 0F3 4.5-4M PCG			8950	76	117	11802	69
iBox Smart 0F3 4.7-1M PCG	STE-M	700	2940	28	105	3735	23
iBox Smart 0F3 4.7-2M PCG	STE-S		5880	52	113	7470	47
iBox Smart 0F3 4.7-3M PCG	STW		8480	76	111	11205	71
iBox Smart 0F3 4.5-1M PCG	S05	525	2260	21.5	105	2950	17
iBox Smart 0F3 4.5-2M PCG			4460	39	114	5901	34
iBox Smart 0F3 4.5-3M PCG			6470	57	113	8851	52
iBox Smart 0F3 4.5-4M PCG			8600	76	113	11802	69
iBox Smart 0F3 4.7-1M PCG	S05	700	2830	28	101	3735	23
iBox Smart 0F3 4.7-2M PCG			5640	52	108	7470	47
iBox Smart 0F3 4.7-3M PCG			8140	76	107	11205	71



LUMINAIRE	OPTIC	LED CURRENT (mA)	RATED LUMINAIRE FLUX* (Tq=25°C, 4000K, lm)	RATED LUMINAIRE POWER* (Tq=25°C, Vin=230Vac, F/DA/DAC, W)	LUMINAIRE EFFICACY (Tq=25°C, lm/W)	RATED LED FLUX* (Tj=85°C, 4000K, lm)	RATED LED POWER* (Tj=85°C, W)
iBox Smart 0F2H1 4.5-2M PCG	S	525	3320	30.5	108	4368	26
iBox Smart 0F2H1 4.5-4M PCG			6430	57	112	8737	52
iBox Smart 0F2H1 4.7-2M PCG	S	700	4250	40	106	5530	35
iBox Smart 0F2H1 4.7-4M PCG			8090	76	106	11060	71

*RATED LUMINAIRE FLUX / RATED LUMINAIRE POWER: Rated data obtained in laboratory.

*RATED LED FLUX / RATED LED POWER: Rated data extrapolated from LED manufacturer datasheet.

Values indicated in this technical sheet are to be considered rated values. Flux tolerance: ±7%. Power tolerance: ±5%.

The characteristics of the product listed above are subjected to change without notice.



LUMINAIRE	OPTIC	LED CURRENT (mA)	RATED LUMINAIRE FLUX* (Tq=25°C, 3000K, lm)	RATED LUMINAIRE POWER* (Tq=25°C, Vin=230Vac, F/DA/DAC, W)	LUMINAIRE EFFICACY (Tq=25°C, lm/W)	RATED LED FLUX* (Tj=85°C, 3000K, lm)	RATED LED POWER* (Tj=85°C, W)
iBox Smart 0F2H1 3.5-1M PCG	S05	525	1570	16	98	1990	13
iBox Smart 0F2H1 3.5-2M PCG	STU-M		3090	30.5	101	3981	26
iBox Smart 0F2H1 3.5-3M PCG	STU-S		4630	44	105	5972	39
iBox Smart 0F2H1 3.5-4M PCG	SV SV2 TS		5980	57	104	7963	52
iBox Smart 0F2H1 3.7-1M PCG	S05	700	2030	21.5	94	2520	17
iBox Smart 0F2H1 3.7-2M PCG	STU-M		3950	40	98	5040	35
iBox Smart 0F2H1 3.7-3M PCG	STU-S		5890	58	101	7560	53
iBox Smart 0F2H1 3.7-4M PCG	SV SV2 TS		7520	76	98	10080	71
iBox Smart 0F3 3.5-1M PCG	STE-M STE-S STW	525	2190	21.5	101	2701	17
iBox Smart 0F3 3.5-2M PCG			4320	39	110	5403	34
iBox Smart 0F3 3.5-3M PCG			6270	57	110	8105	52
iBox Smart 0F3 3.5-4M PCG			8320	76	109	10807	69
iBox Smart 0F3 3.7-1M PCG	STE-M	700	2730	28	97	3420	23
iBox Smart 0F3 3.7-2M PCG	STE-S		5470	52	105	6840	47
iBox Smart 0F3 3.7-3M PCG	STW		7890	76	103	10260	71
iBox Smart 0F3 3.5-1M PCG	S05	525	2100	21.5	97	2701	17
iBox Smart 0F3 3.5-2M PCG			4150	39	106	5403	34
iBox Smart 0F3 3.5-3M PCG			6020	57	105	8105	52
iBox Smart 0F3 3.5-4M PCG			8000	76	105	10807	69
iBox Smart 0F3 3.7-1M PCG	S05	700	2630	28	93	3420	23
iBox Smart 0F3 3.7-2M PCG			5250	52	100	6840	47
iBox Smart 0F3 3.7-3M PCG			7570	76	99	10260	71



LUMINAIRE	OPTIC	LED CURRENT (mA)	RATED LUMINAIRE FLUX* (Tq=25°C, 3000K, lm)	RATED LUMINAIRE POWER* (Tq=25°C, Vin=230Vac, F/DA/DAC, W)	LUMINAIRE EFFICACY (Tq=25°C, lm/W)	RATED LED FLUX* (Tj=85°C, 3000K, lm)	RATED LED POWER* (Tj=85°C, W)
iBox Smart 0F2H1 3.5-2M PCG	S	525	3090	30.5	101	3981	26
iBox Smart 0F2H1 3.5-4M PCG			5980	57	104	7963	52
iBox Smart 0F2H1 3.7-2M PCG	S	700	3950	40	98	5040	35
iBox Smart 0F2H1 3.7-4M PCG			7520	76	98	10080	71

*RATED LUMINAIRE FLUX / RATED LUMINAIRE POWER: Rated data obtained in laboratory.

*RATED LED FLUX / RATED LED POWER: Rated data extrapolated from LED manufacturer datasheet.

Values indicated in this technical sheet are to be considered rated values. Flux tolerance: ±7%. Power tolerance: ±5%.

The characteristics of the product listed above are subjected to change without notice.