

GALILEO 1 TUNNEL

MAIN CHARACTERISTICS

Applications	Tunnel lighting
Optic	ASC: Asymmetric optic with adjustable emission for tunnel reinforcement lighting. SS: Symmetric optic with adjustable emission for tunnel permanent lighting. Colour temperature: 5700K (4000K optional) CRI ≥ 70 Photobiological safety class: EXEMPT GROUP LED source efficiency: 168 lm/W @ 525mA, Tj=85°C, 5700K
Insulation class	II, I
Protection degree	IP66 IK08
LED Modules	Removable / Replaceable optical unit
Tilt Angle	See dimensional drawings section
Dimensions	
Weight	
Exposed surface	
Mounting	Mounting with adjustable integrated flange (See fixing flange section)
Gear tray	Integrated. Removable
Operating temp.	-40°C / +50°C (525mA) -40°C / +35°C (700mA)
Storage temp.	-40°C / +80°C
Main reference standards	EN 60598-1, EN 60598-2-3, EN 60598-2-5, EN 62471, EN 55015, EN 61547, EN 61000-3-2, EN 61000-3-3

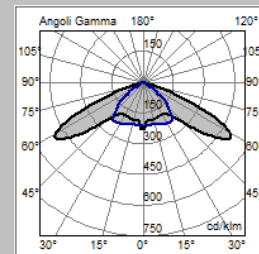


ELECTRICAL CHARACTERISTICS

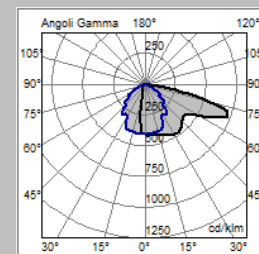
Rated voltage	220÷240V 50/60Hz (Standard tolerance +/-10%, other voltages and tolerances upon request)
Power factor	>0,9 (at full load)
Mains connection	Cable FG7-OM1 0.6/1kV 2/3x1,5 mm ² L=1,5 mt Optional: FTG10-OM1 0.6/1kV 2/3x1,5 mm ² L=1,5 mt Optional: Plug IEC309 2P+T 16A IP67
Surge protection	Up to 10kV With SPD (optional) 10kV / 10kV CM/DM
SPD (optional)	10kV-10kA, type II, with LED signal and thermo fuse to disconnect load at the end of life.
Control system (options)	F: Fixed power not dimmable. DB: Dual Power with control wire. DALI: Digital dimming interface DALI. FLC: Constant light flux.
Optical unit lifetime (Tq=25°C, 700mA)	>100.000hr L90B10 >100.000hr L90, TM-21

MATERIALS

Fixing	Stainless steel AISI 304 (Optional AISI 316L) with plastic spacers to avoid galvanic corrosion.
Heat-sink	Die-cast aluminium UNI EN1706 with low copper content.
Body	Powder painted.
Optic	99.85% aluminium with a surface finish in 99.95% with vacuum-sealed deposition. Alluminum grade class A+ (DIN EN 16268)
Screen	Flat tempered glass, 5mm thickness. High transparency.
Cable gland	Metallic, M20x1,5 – IP68
Gasket	Polyurethane
Colour	Graphite - Cod. 01



SS-6W Optic



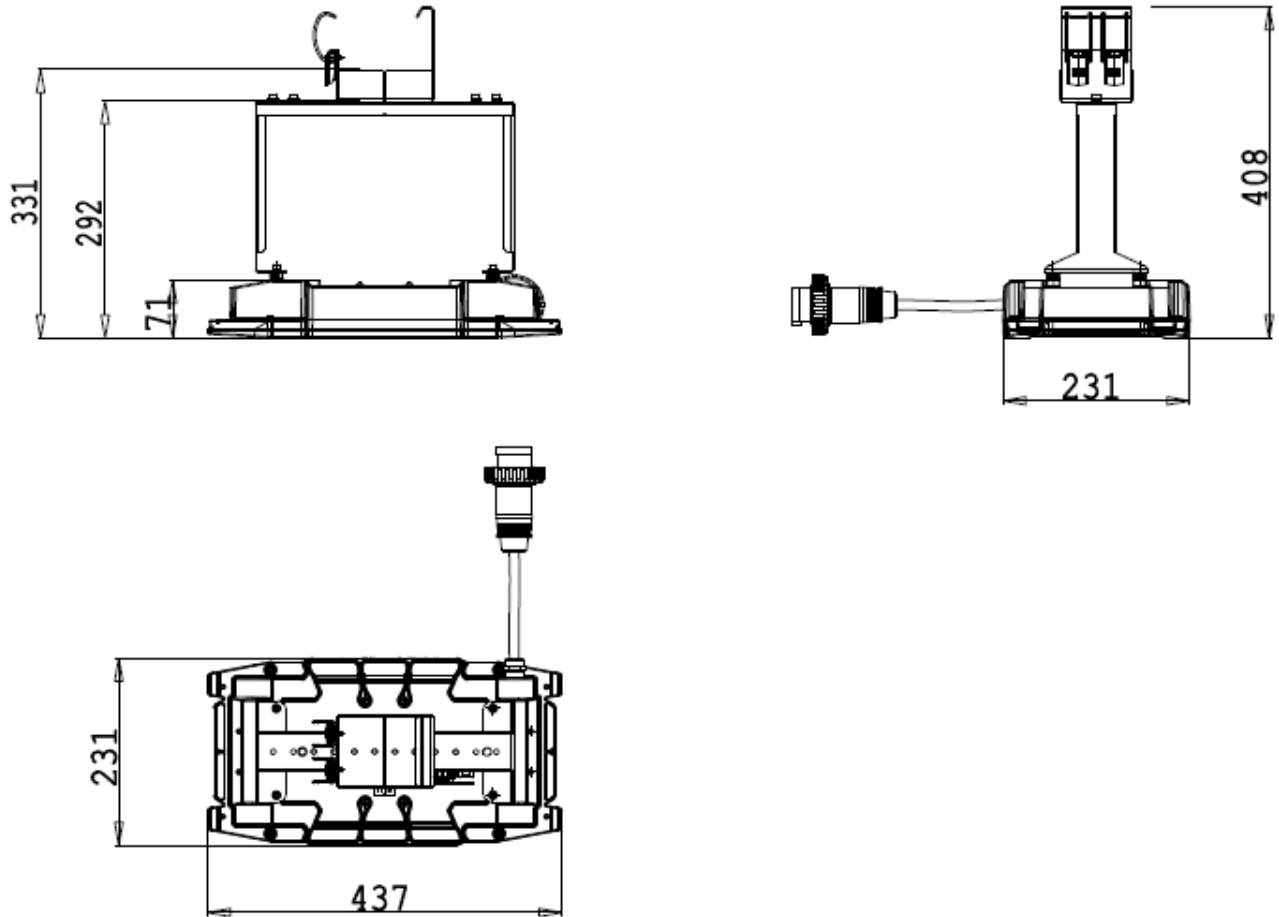
ASC-7W Optic

All the published photometrical data has been obtained according to EN 13032-1

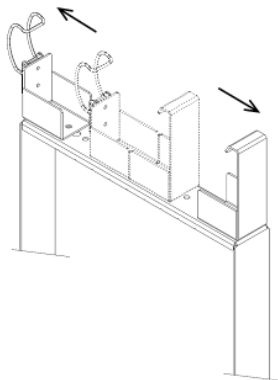
GALILEO 1 TUNNEL

DIMENSIONAL DRAWINGS

WEIGHT WITHOUT FIXING FLANGES: 4.3 kg
 SIDE SURFACE: 0.03 m²
 TOP SURFACE: 0.1 m²



FIXING FLANGE



Adjustable fixing flange for cable channel
 100x75mm up to 300x75mm.
 Tilt angle on request.

1.8 kg





LUMINAIRE	OPTIC	LED CURRENT (mA)	RATED LUMINAIRE FLUX* (Tq=25°C, 5700K, lm)	RATED LUMINAIRE POWER* (Tq=25°C, Vin=230Vac, F/DA/DAC, W)	LUMINAIRE EFFICACY (Tq=25°C, lm/W)	RATED LED FLUX* (Tj=85°C, 5700K, lm)	RATED LED POWER* (Tj=85°C, W)
Galileo 1 Tunnel 0F6 6.5-1M	ASC-4W	525	5220	39	133	6313	35
Galileo 1 Tunnel 0F6 6.7-1M		700	6540	52	125	7992	47
Galileo 1 Tunnel 0F6 6.5-1M	ASC-5W	525	5130	39	131	6313	35
Galileo 1 Tunnel 0F6 6.7-1M		700	6420	52	123	7992	47
Galileo 1 Tunnel 0F6 6.5-1M	ASC-6W	525	5050	39	129	6313	35
Galileo 1 Tunnel 0F6 6.7-1M		700	6330	52	121	7992	47
Galileo 1 Tunnel 0F6 6.5-1M	ASC-7W	525	4960	39	127	6313	35
Galileo 1 Tunnel 0F6 6.7-1M		700	6210	52	119	7992	47
Galileo 1 Tunnel 0F4 6.5-1M	SS-6A	525	3440	27	127	4208	24
	SS-6M						
	SS-6W						
Galileo 1 Tunnel 0F4 6.5-1M	SS-7A	525	3340	27	123	4208	24
	SS-7M						
	SS-7W						
Galileo 1 Tunnel 0F6 6.5-1M	SS-6A	525	5110	39	131	6313	35
	SS-6M						
	SS-6W						
Galileo 1 Tunnel 0F6 6.5-1M	SS-7A	525	4960	39	127	6313	35
	SS-7M						
	SS-7W						
Galileo 1 Tunnel 0F8 6.5-1M	SS-6A	525	6860	52	131	8416	48
	SS-6M						
	SS-6W						
Galileo 1 Tunnel 0F8 6.5-1M	SS-7A	525	6660	52	128	8416	48
	SS-7M						
	SS-7W						

*RATED LUMINAIRE FLUX / RATED LUMINAIRE POWER: Rated data obtained in laboratory.

*RATED LED FLUX / RATED LED POWER: Rated data extrapolated from LED manufacturer datasheet.

Values indicated in this technical sheet are to be considered rated values. Flux tolerance: ±7%. Power tolerance: ±10%.

The characteristics of the product listed above are subjected to change without notice.



LUMINAIRE	OPTIC	LED CURRENT (mA)	RATED LUMINAIRE FLUX* (Tq=25°C, 4000K, lm)	RATED LUMINAIRE POWER* (Tq=25°C, Vin=230Vac, F/DA/DAC, W)	LUMINAIRE EFFICACY (Tq=25°C, lm/W)	RATED LED FLUX* (Tj=85°C, 4000K, lm)	RATED LED POWER* (Tj=85°C, W)
Galileo 1 Tunnel 0F6 4.5-1M	ASC-4W	525	5120	39	131	5901	35
Galileo 1 Tunnel 0F6 4.7-1M		700	6410	52	123	7470	47
Galileo 1 Tunnel 0F6 4.5-1M	ASC-5W	525	5030	39	128	5901	35
Galileo 1 Tunnel 0F6 4.7-1M		700	6290	52	120	7470	47
Galileo 1 Tunnel 0F6 4.5-1M	ASC-6W	525	4950	39	126	5901	35
Galileo 1 Tunnel 0F6 4.7-1M		700	6210	52	119	7470	47
Galileo 1 Tunnel 0F6 4.5-1M	ASC-7W	525	4860	39	124	5901	35
Galileo 1 Tunnel 0F6 4.7-1M		700	6090	52	117	7470	47
Galileo 1 Tunnel 0F4 4.5-1M	SS-6A	525	3370	27	124	3934	23
	SS-6M						
	SS-6W						
Galileo 1 Tunnel 0F4 4.5-1M	SS-7A	525	3270	27	121	3934	23
	SS-7M						
	SS-7W						
Galileo 1 Tunnel 0F6 4.5-1M	SS-6A	525	5010	39	128	5901	35
	SS-6M						
	SS-6W						
Galileo 1 Tunnel 0F6 4.5-1M	SS-7A	525	4860	39	124	5901	35
	SS-7M						
	SS-7W						
Galileo 1 Tunnel 0F8 4.5-1M	SS-6A	525	6730	52	129	7868	47
	SS-6M						
	SS-6W						
Galileo 1 Tunnel 0F8 4.5-1M	SS-7A	525	6530	52	125	7868	47
	SS-7M						
	SS-7W						

*RATED LUMINAIRE FLUX / RATED LUMINAIRE POWER: Rated data obtained in laboratory.

*RATED LED FLUX / RATED LED POWER: Rated data extrapolated from LED manufacturer datasheet.

Values indicated in this technical sheet are to be considered rated values. Flux tolerance: ±7%. Power tolerance: ±10%.

The characteristics of the product listed above are subjected to change without notice.