

MASTER 3

MAIN CHARACTERISTICS

Applications	Street and urban lighting.
Optic	STE-M/S: Asymmetrical optic for suburban street lighting. STU-M/S: Asymmetrical optic for street, urban and cycle-path lighting. STW: Asymmetrical optic for wide urban and suburban road lighting, specific for wet asphalts. SV/SV2: Asymmetrical optic for narrow urban streets or highway entrance/exit turns. S05: Asymmetrical optic for street, urban and green areas lighting. Colour temperature: 4000K (3000K optional) CRI ≥ 70 LOR= 100%, DLOR= 100%, ULOR= 0% Photobiological safety class: EXEMPT GROUP LED source efficiency: 168 lm/W @ 525mA, Tj=85°C, 4000K
Insulation class	II, I
Protection degree	IP66 IK08 total
Dimensions	See the drawing
Weight	max 8 kg
Exposed surface	Side: 0.05m ² – Top: 0.23m ²
Mounting	TP: Post-top mounting Ø60-70-76-102mm BR-C: short bracket version on poles Ø102-114-127mm TP BR-L: long bracket version L.1mt on poles Ø102mm PR: mounting on rectangular / square pole.
LED Modules	Removable / Replaceable
Gear tray	Removable plate.
Operating temp.	-40°C / +50°C
Storage temperature	-40°C / +80°C
Main reference standards	EN 60598-1, EN 60598-2-3, EN 62471, EN 55015, EN 61547, EN 61000-3-2, EN 61000-3-3



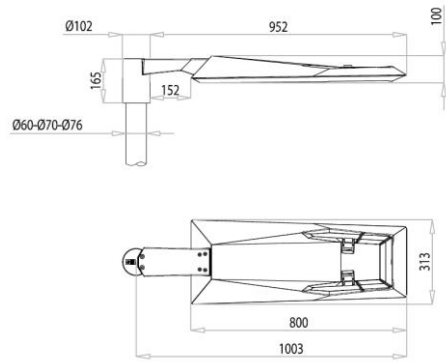
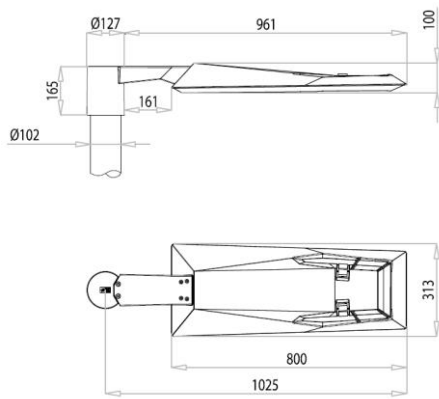
ELECTRICAL CHARACTERISTICS

Rated voltage	220÷240V 50/60Hz (Standard tolerance +/-10%, other voltages and tolerances upon request)
Power factor	>0,95 (at full load - F, DA, DAC)
On-load switch	Included, with integrated cable clamp.
Mains connection	For cables max section 4mm ²
Surge protection	Up to 10kV With SPD (optional) 10kV / 10kV CM/DM
SPD (optional)	10kV-10kA, type 2+3, with LED signal and thermo fuse to disconnect load at the end of life.
Control system (options)	F: Fixed power not dimmable. DA: Automatic dimming (virtual midnight) with default profile. DAC: Custom DA profile. FLC: Constant light flux. WL: Wireless single point communication system. DALI: Digital dimming interface DALI. NEMA: Socket 7 pin (ANSI C136.41). ZHAGA: Socket 4 pin (ZHAGA Book 18).
Optical unit lifetime (Tq=25°C, 700mA)	>100.000hr L90B10 >100.000hr L90, TM-21

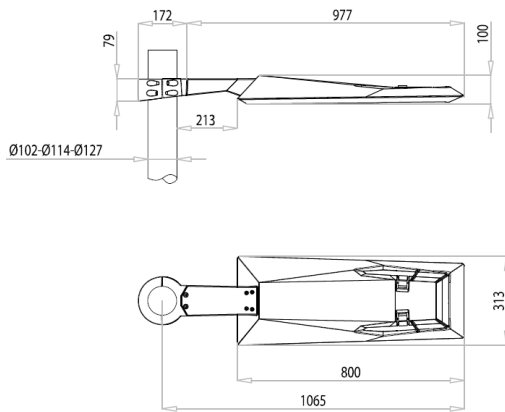
MATERIALS

Fixing	Die-cast aluminum UNI EN1706 powder painted.
Heat-sink	
Lower frame	
Upper canopy	
Closure hook	Extruded aluminium with stainless steel spring.
Optic	99.85% aluminum with a surface finish in 99.95% with vacuum-sealed deposition. Aluminum grade class A+ (DIN EN 16268)
Screen	Flat tempered glass, 4mm thickness high transparency.
Cable gland	Plastic M20x1.5 - IP68
Gasket	Polyurethane
Colour	Graphite - Cod. 01

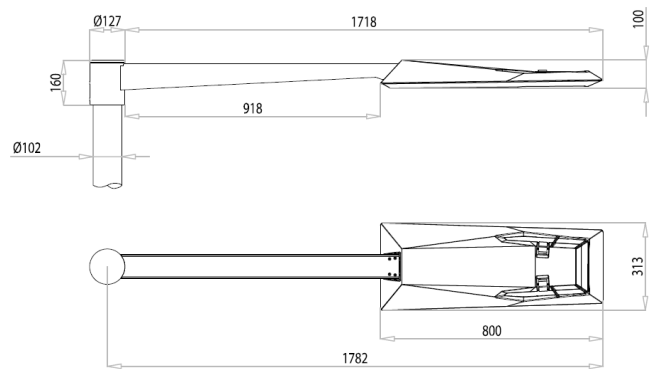
TP Version



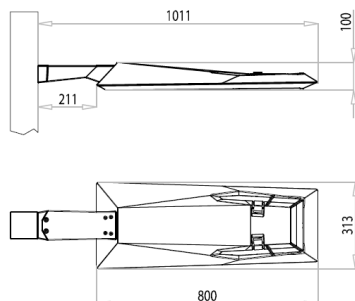
BR-C Version



BR-L Version



PR Version





LUMINAIRE	OPTIC	RATED LUMINAIRE FLUX* (Tq=25°C, 4000K, lm)	RATED LUMINAIRE POWER* (Tq=25°C, Vin=230Vac, F/DA/DAC, W)	LUMINAIRE EFFICACY (Tq=25°C, lm/W)	RATED LED FLUX* (Tj=85°C, 4000K, lm)	RATED LED POWER* (Tj=85°C, W)
MASTER 3 0F2H1 4.5-1M	S05	1880	16	117	2184	13
MASTER 3 0F2H1 4.5-2M	STU-M					
	STU-S	3690	30.5	120	4368	26
	SV					
MASTER 3 0F2H1 4.5-3M	SV2	5530	44	125	6553	39
MASTER 3 0F2H1 4.7-1M	S05	2420	21.5	112	2765	17
	STU-M					
MASTER 3 0F2H1 4.7-2M	STU-S	4720	40	118	5530	35
	SV					
MASTER 3 0F2H1 4.7-3M	SV2	7030	58	121	8295	53
MASTER 3 0F3 4.5-1M		2610	21.5	121	2950	17
	STE-M					
MASTER 3 0F3 4.5-2M	STE-S	5160	39	132	5901	34
	STW					
MASTER 3 0F3 4.5-3M		7490	57	131	8851	52
MASTER 3 0F3 4.7-1M	STE-M	3270	28	116	3735	23
	STE-S					
MASTER 3 0F3 4.7-2M	STW	6530	52	125	7470	47
MASTER 3 0F3 4.7-3M		9420	76	123	11205	71

*RATED LUMINAIRE FLUX / RATED LUMINAIRE POWER: Rated data obtained in laboratory.

*RATED LED FLUX / RATED LED POWER: Rated data extrapolated from LED manufacturer datasheet.

Values indicated in this technical sheet are to be considered rated values. Flux tolerance: ±7%. Power tolerance: ±5%.

Power tolerance with ZHAGA version or power supply D4i/SR: ±10%.

The characteristics of the product listed above are subjected to change without notice.



LUMINAIRE	OPTIC	RATED LUMINAIRE FLUX* (Tq=25°C, 3000K, lm)	RATED LUMINAIRE POWER* (Tq=25°C, Vin=230Vac, F/DA/DAC, W)	LUMINAIRE EFFICACY (Tq=25°C, lm/W)	RATED LED FLUX* (Tj=85°C, 3000K, lm)	RATED LED POWER* (Tj=85°C, W)
MASTER 3 0F2H1 3.5-1M	S05 STU-M	1750	16	109	1990	13
MASTER 3 0F2H1 3.5-2M	STU-S	3430	30.5	112	3981	26
MASTER 3 0F2H1 3.5-3M	SV SV2	5140	44	116	5972	39
MASTER 3 0F2H1 3.7-1M	S05 STU-M	2250	21.5	104	2520	17
MASTER 3 0F2H1 3.7-2M	STU-S	4390	40	109	5040	35
MASTER 3 0F2H1 3.7-3M	SV SV2	6540	58	112	7560	53
MASTER 3 0F3 3.5-1M	STE-M	2430	21.5	113	2701	17
MASTER 3 0F3 3.5-2M	STE-S	4800	39	123	5403	34
MASTER 3 0F3 3.5-3M	STW	6970	57	122	8105	52
MASTER 3 0F3 3.7-1M	STE-M	3040	28	108	3420	23
MASTER 3 0F3 3.7-2M	STE-S	6070	52	116	6840	47
MASTER 3 0F3 3.7-3M	STW	8760	76	115	10260	71

*RATED LUMINAIRE FLUX / RATED LUMINAIRE POWER: Rated data obtained in laboratory.

*RATED LED FLUX / RATED LED POWER: Rated data extrapolated from LED manufacturer datasheet.

Values indicated in this technical sheet are to be considered rated values. Flux tolerance: ±7%. Power tolerance: ±5%.

Power tolerance with ZHAGA version or power supply D4i/SR: ±10%.

The characteristics of the product listed above are subjected to change without notice.