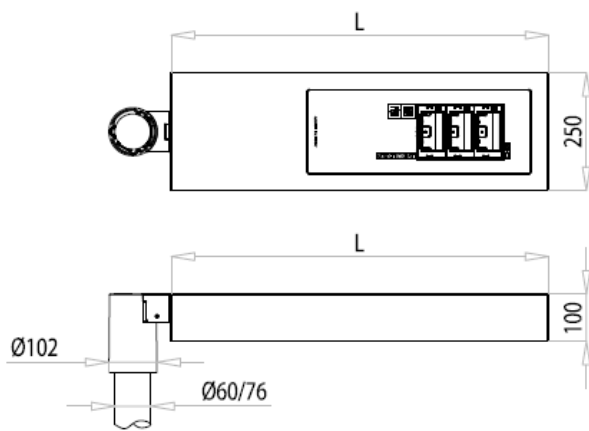


MOD 2.0 URBAN 250	
MAIN CHARACTERISTICS	
<b>Applications</b>	Street, urban and architectural lighting.
<b>Optic</b>	STE-M/S: Asymmetrical optic for suburban street lighting. STU-M/S: Asymmetrical optic for street, urban and cycle-path lighting. STW: Asymmetrical optic for wide urban and suburban road lighting, specific for wet asphalts. SV/SV2: Asymmetrical optic for narrow urban streets or highway entrance/exit turns. S05: Asymmetrical optic for street, urban and green areas lighting. OP-DX/SX: Asymmetrical optic for crosswalks lighting. ASP/ASC: Asymmetrical optics for floodlighting. Colour temperature: 4000K (3000K optional)   CRI ≥ 70 LOR= 100%, DLOR= 100%, ULOR= 0% Photobiological safety class: EXEMPT GROUP LED source efficiency: 168 lm/W @ 525mA, Tj=85°C, 4000K
<b>Insulation class</b>	II, I
<b>Protection degree</b>	IP66
<b>Dimensions</b>	500x250x100 mm – 800x250x100 mm
<b>Weight</b>	max 15 kg
<b>Exposed surface</b>	Side max 0.095 m <sup>2</sup>   Top max 0.24 m <sup>2</sup>
<b>Mounting</b>	TP: post-top Ø60-70-76-102 mm RX-3: post-top on rectangular poles 250x100 mm AC: bracket on poles Ø102-114-127 mm
<b>Tilt Angle</b>	0°
<b>LED Modules</b>	Removable / Replaceable
<b>Gear tray</b>	Removable plate
<b>Operating temp.</b>	-40°C / +50°C
<b>Storage temperature</b>	-40°C / +80°C
<b>Main reference standards</b>	EN 60598-1, EN 60598-2-3, EN 62471, EN 55015, EN 61547, EN 61000-3-2, EN 61000-3-3
ELECTRICAL CHARACTERISTICS	
<b>Rated voltage</b>	220÷240V 50/60Hz
<b>Power factor</b>	>0,95 (at full load - F, DA, DAC)
<b>Mains connection</b>	Cable H07RN-F nx1.5mm <sup>2</sup> Optional: connector M/F IP66/68 for cables max. 2,5mm <sup>2</sup> , Ø max. 12mm
<b>Surge protection</b>	Up to 10kV   With SPD (optional) 10kV / 10kV CM/DM
<b>SPD (optional)</b>	10kV-10kA, type 2+3, with LED signal and thermo fuse to disconnect load at the end of life.
<b>Control system (options)</b>	F: Fixed power not dimmable. DA: Automatic dimming (virtual midnight) with default profile. DAC: Custom DA profile. FLC: Constant light flux. WL: Wireless single point communication system. DALI: Digital dimming interface DALI.
<b>Optical unit lifetime (Tq=25°C, 700mA)</b>	>100.000hr L90B10 >100.000hr L90, TM-21
MATERIALS	
<b>Fixing</b>	Die-cast aluminium UNI EN 1706. Powder painted.
<b>Heat-sink</b>	Extruded aluminium. Powder painted.
<b>Optic</b>	99.85% aluminium with a surface finish in 99.95% with vacuum-sealed deposition. Aluminium grade class A+ (DIN EN 16268)
<b>Screen</b>	Flat tempered glass, 5mm thickness high transparency.
<b>Cable gland</b>	Plastic M20x1.5 - IP68
<b>Gasket</b>	Polyurethane
<b>Colour</b>	Graphite - Cod. 01

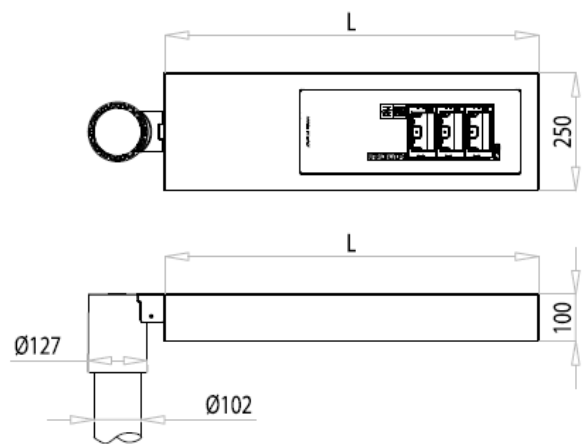


LED MODULES	LUMINAIRE LENGHT L (mm)
n. 1 module 0F2H1/F2/F3	500
	800
n. 2 modules 0F2H1/F2/F3	500
	800
n. 3 modules 0F2H1/F2/F3	800
n. 1 module 0F6	500
	800

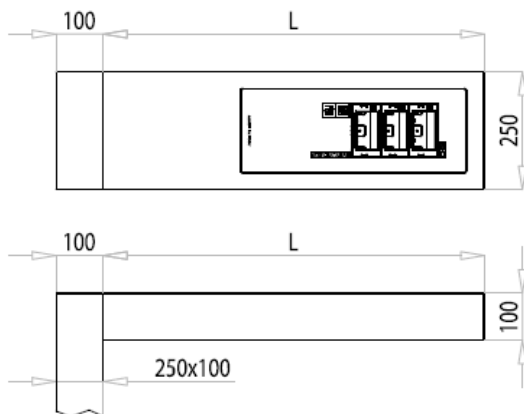
**TP Ø60/76**



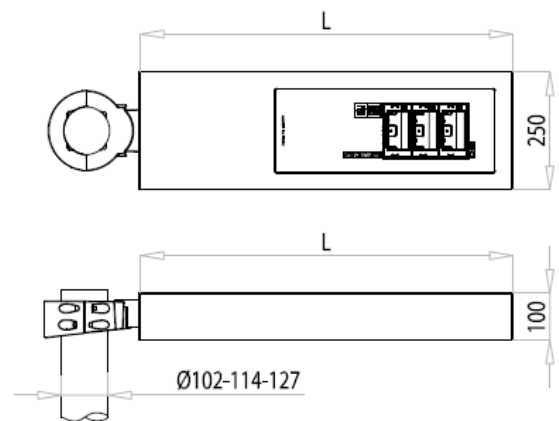
**TP Ø102mm**



**RX-3**



**AC**





LUMINAIRE	OPTIC	LED CURRENT (mA)	RATED LUMINAIRE FLUX* (Tq=25°C, 4000K, lm)	RATED LUMINAIRE POWER* (Tq=25°C, Vin=230Vac, F/DA/DAC, W)	LUMINAIRE EFFICACY (Tq=25°C, lm/W)	RATED LED FLUX* (Tj=85°C, 4000K, lm)	RATED LED POWER* (Tj=85°C, W)
MOD 2.0 URBAN 250 0F2H1 4.5-1M	S05 STU-M STU-S SV SV2	525	1880	16	117	2184	13
MOD 2.0 URBAN 250 0F2H1 4.5-2M			3690	30.5	120	4368	26
MOD 2.0 URBAN 250 0F2H1 4.5-3M			5530	44	125	6553	39
MOD 2.0 URBAN 250 0F2H1 4.7-1M	S05 STU-M STU-S SV SV2	700	2420	21.5	112	2765	17
MOD 2.0 URBAN 250 0F2H1 4.7-2M			4720	40	118	5530	35
MOD 2.0 URBAN 250 0F2H1 4.7-3M			7030	58	121	8295	53
MOD 2.0 URBAN 250 0F3 4.5-1M	STE-M STE-S STW	525	2610	21.5	121	2950	17
MOD 2.0 URBAN 250 0F3 4.5-2M			5160	39	132	5901	34
MOD 2.0 URBAN 250 0F3 4.5-3M			7490	57	131	8851	52
MOD 2.0 URBAN 250 0F3 4.7-1M	STE-M STE-S STW	700	3270	28	116	3735	23
MOD 2.0 URBAN 250 0F3 4.7-2M			6530	52	125	7470	47
MOD 2.0 URBAN 250 0F3 4.7-3M			9420	76	123	11205	71
MOD 2.0 URBAN 250 0F6 4.5-1M	OP-DX OP-SX	525	5160	39	132	5901	34
MOD 2.0 URBAN 250 0F6 4.7-1M	OP-DX OP-SX	700	6530	52	125	7470	47

LUMINAIRE	OPTIC	LED CURRENT (mA)	RATED LUMINAIRE FLUX* (Tq=25°C, 4000K, lm)	RATED LUMINAIRE POWER* (Tq=25°C, Vin=230Vac, F/DA/DAC, W)	LUMINAIRE EFFICACY (Tq=25°C, lm/W)	RATED LED FLUX* (Tj=85°C, 4000K, lm)	RATED LED POWER* (Tj=85°C, W)
MOD 2.0 URBAN 250 0F6 4.5-1M	ASC-4W ASP-4N ASP-4W	525	5120	39	131	5901	34
MOD 2.0 URBAN 250 0F6 4.7-1M	ASC-4W ASP-4N ASP-4W	700	6410	52	123	7470	47
MOD 2.0 URBAN 250 0F6 4.5-1M	ASC-5W ASP-5N ASP-5W	525	5030	39	128	5901	34
MOD 2.0 URBAN 250 0F6 4.7-1M	ASC-5W ASP-5N ASP-5W	700	6290	52	120	7470	47
MOD 2.0 URBAN 250 0F6 4.5-1M	ASC-6W ASP-6N ASP-6W	525	4950	39	126	5901	34
MOD 2.0 URBAN 250 0F6 4.7-1M	ASC-6W ASP-6N ASP-6W	700	6210	52	119	7470	47
MOD 2.0 URBAN 250 0F6 4.5-1M	ASC-7W ASP-7N ASP-7W	525	4860	39	124	5901	34
MOD 2.0 URBAN 250 0F6 4.7-1M	ASC-7W ASP-7N ASP-7W	700	6090	52	117	7470	47



LUMINAIRE	OPTIC	LED CURRENT (mA)	RATED LUMINAIRE FLUX* (Tq=25°C, 4000K, lm)	RATED LUMINAIRE POWER* (Tq=25°C, Vin=230Vac, F/DA/DAC, W)	LUMINAIRE EFFICACY (Tq=25°C, lm/W)	RATED LED FLUX* (Tj=85°C, 4000K, lm)	RATED LED POWER* (Tj=85°C, W)
MOD 2.0 URBAN 250 0F2 4.5-1M	STA STA1	525	1650	14	117	1967	11
MOD 2.0 URBAN 250 0F2 4.5-2M			3230	27	119	3934	23
MOD 2.0 URBAN 250 0F2 4.5-3M			4850	39	124	5901	34
MOD 2.0 URBAN 250 0F2 4.7-1M	STA STA1	700	2120	19.5	108	2490	15
MOD 2.0 URBAN 250 0F2 4.7-2M			4130	36	114	4980	31
MOD 2.0 URBAN 250 0F2 4.7-3M			6160	51.5	119	7470	47

\*RATED LUMINAIRE FLUX / RATED LUMINAIRE POWER: Rated data obtained in laboratory.

\*RATED LED FLUX / RATED LED POWER: Rated data extrapolated from LED manufacturer datasheet.

Values indicated in this technical sheet are to be considered rated values. Flux tolerance: ±7%. Power tolerance: ±5%.

The characteristics of the product listed above are subjected to change without notice.



LUMINAIRE	OPTIC	LED CURRENT (mA)	RATED LUMINAIRE FLUX* (Tq=25°C, 3000K, lm)	RATED LUMINAIRE POWER* (Tq=25°C, Vin=230Vac, F/DA/DAC, W)	LUMINAIRE EFFICACY (Tq=25°C, lm/W)	RATED LED FLUX* (Tj=85°C, 3000K, lm)	RATED LED POWER* (Tj=85°C, W)
MOD 2.0 URBAN 250 0F2H1 3.5-1M	S05 STU-M STU-S SV SV2	525	1750	16	109	1990	13
MOD 2.0 URBAN 250 0F2H1 3.5-2M			3430	30.5	112	3981	26
MOD 2.0 URBAN 250 0F2H1 3.5-3M			5140	44	116	5972	39
MOD 2.0 URBAN 250 0F2H1 3.7-1M	S05 STU-M STU-S SV SV2	700	2250	21.5	104	2520	17
MOD 2.0 URBAN 250 0F2H1 3.7-2M			4390	40	109	5040	35
MOD 2.0 URBAN 250 0F2H1 3.7-3M			6540	58	112	7560	53
MOD 2.0 URBAN 250 0F3 3.5-1M	STE-M STE-S STW	525	2430	21.5	113	2701	17
MOD 2.0 URBAN 250 0F3 3.5-2M			4800	39	123	5403	34
MOD 2.0 URBAN 250 0F3 3.5-3M			6970	57	122	8105	52
MOD 2.0 URBAN 250 0F3 3.7-1M	STE-M STE-S STW	700	3040	28	108	3420	23
MOD 2.0 URBAN 250 0F3 3.7-2M			6070	52	116	6840	47
MOD 2.0 URBAN 250 0F3 3.7-3M			8760	76	115	10260	71
MOD 2.0 URBAN 250 0F6 3.5-1M	OP-DX OP-SX	525	4800	39	123	5403	34
MOD 2.0 URBAN 250 0F6 3.7-1M	OP-DX OP-SX	700	6070	52	116	6840	47



LUMINAIRE	OPTIC	LED CURRENT (mA)	RATED LUMINAIRE FLUX* (Tq=25°C, 3000K, lm)	RATED LUMINAIRE POWER* (Tq=25°C, Vin=230Vac, F/DA/DAC, W)	LUMINAIRE EFFICACY (Tq=25°C, lm/W)	RATED LED FLUX* (Tj=85°C, 3000K, lm)	RATED LED POWER* (Tj=85°C, W)
MOD 2.0 URBAN 250 0F6 3.5-1M	ASC-4W ASP-4N ASP-4W	525	4760	39	122	5403	34
MOD 2.0 URBAN 250 0F6 3.7-1M	ASC-4W ASP-4N ASP-4W	700	5960	52	114	6840	47
MOD 2.0 URBAN 250 0F6 3.5-1M	ASC-5W ASP-5N ASP-5W	525	4680	39	120	5403	34
MOD 2.0 URBAN 250 0F6 3.7-1M	ASC-5W ASP-5N ASP-5W	700	5850	52	112	6840	47
MOD 2.0 URBAN 250 0F6 3.5-1M	ASC-6W ASP-6N ASP-6W	525	4600	39	117	5403	34
MOD 2.0 URBAN 250 0F6 3.7-1M	ASC-6W ASP-6N ASP-6W	700	5780	52	111	6840	47
MOD 2.0 URBAN 250 0F6 3.5-1M	ASC-7W ASP-7N ASP-7W	525	4520	39	115	5403	34
MOD 2.0 URBAN 250 0F6 3.7-1M	ASC-7W ASP-7N ASP-7W	700	5660	52	108	6840	47



LUMINAIRE	OPTIC	LED CURRENT (mA)	RATED LUMINAIRE FLUX* (Tq=25°C, 3000K, lm)	RATED LUMINAIRE POWER* (Tq=25°C, Vin=230Vac, F/DA/DAC, W)	LUMINAIRE EFFICACY (Tq=25°C, lm/W)	RATED LED FLUX* (Tj=85°C, 3000K, lm)	RATED LED POWER* (Tj=85°C, W)
MOD 2.0 URBAN 250 0F2 3.5-1M	STA STA1	525	1530	14	109	1801	11
MOD 2.0 URBAN 250 0F2 3.5-2M			3000	27	111	3602	23
MOD 2.0 URBAN 250 0F2 3.5-3M			4510	39	115	5403	34
MOD 2.0 URBAN 250 0F2 3.7-1M	STA STA1	700	1970	19.5	101	2280	15
MOD 2.0 URBAN 250 0F2 3.7-2M			3840	36	106	4560	31
MOD 2.0 URBAN 250 0F2 3.7-3M			5730	51.5	111	6840	47

\*RATED LUMINAIRE FLUX / RATED LUMINAIRE POWER: Rated data obtained in laboratory.

\*RATED LED FLUX / RATED LED POWER: Rated data extrapolated from LED manufacturer datasheet.

Values indicated in this technical sheet are to be considered rated values. Flux tolerance: ±7%. Power tolerance: ±5%.

The characteristics of the product listed above are subjected to change without notice.