

GQ1 Grow Light

MAIN CHARACTERISTICS

Applications	Lighting for horticulture	
Optic	HB-L: Symmetric optic, lambertian emission. HB-M: Symmetric optic, mid emission. HB-W: Symmetric optic, large emission. HB-E: Symmetric optic, elliptical emission. LED plate motor composed of sources defined in spectral length.	
	BLUE 445nm	Hiper RED 665nm
	20%	80%
	Solution with ceramic LED.	
Insulation class	I	
Protection degree	IP66 IK08 total	
Dimensions	See the drawing	
Weight	7 kg	
Mounting	Ceiling fixing.	
	Wall fixing accessory.	
	Suspended on cable.	
	Suspended with chain.	
	Enclosed duct fixing.	
LED Modules	Removable optical unit.	
Gear tray	Removable.	
Operating temp.	-40°C / +50°C	
Storage temperature	-40°C / +80°C	
Main reference standards	EN 60598-1, EN 60598-2-1, EN 60598-2-24, EN 62471, EN 55015, EN 61547, EN 61000-3-2, EN 61000-3-3, EN 62493	

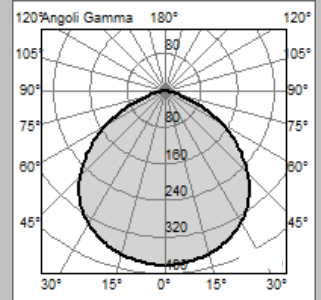


ELECTRICAL CHARACTERISTICS

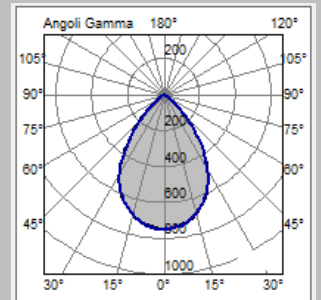
Rated voltage	220+240V 50/60Hz
Power factor	>0,9 (at full load)
Mains connection	Branch wiring: H05VV-F 3/5x1 mm ²
Surge protection	Pulse withstand up to 4 kV
Control system (options)	F: Fixed power not dimmable. DALI: Digital dimming interface DALI.
Optical unit lifetime (Tq=25°C)	>100.000hr L80B50 >100.000hr L80 TM-21

MATERIALS

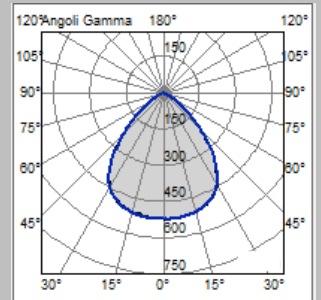
Fixing	Stainless steel.
Body	Die-cast aluminium UNI EN1706. Powder painted.
Canopy	
Optic	99.85% aluminium with a surface finish in 99.95% with vacuum-sealed deposition. Aluminum grade class A+ (DIN EN 16268)
Screen	Flat tempered glass, 4mm thickness.
Cable gland	Plastic M16x1.5 - IP68
Gasket	Polyurethane
Colour	White - Cod. 2D



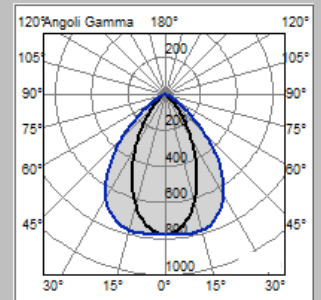
HB-L Optic



HB-M Optic



HB-W Optic



HB-E Optic

All the published photometrical data has been obtained according to applicable international standards



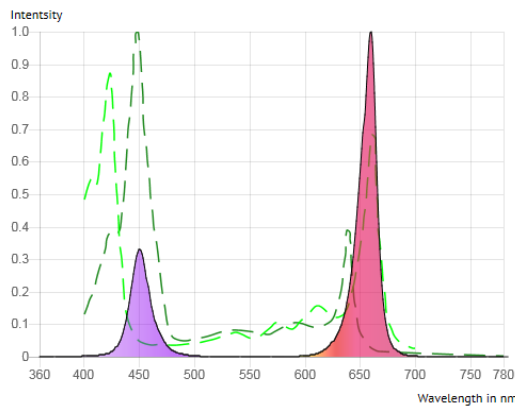


GQ1 Grow Light

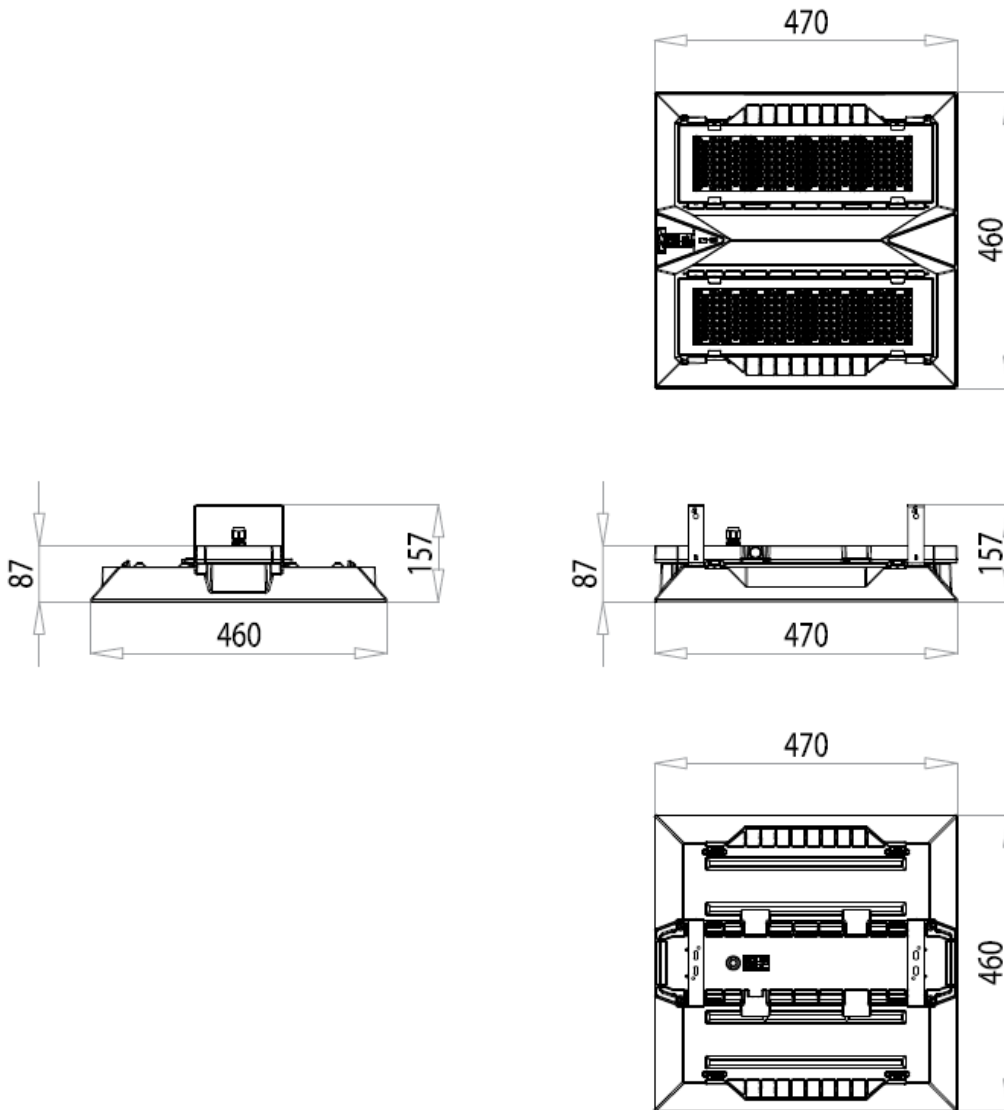
LUMINAIRE	OPTIC	LED CURRENT (mA)	TOTAL PHOTONIC FLUX (Tq=25°C, μmol/s)	RATED LUMINAIRE POWER (Tq=25°C, Vin=230Vac, W)	LUMINAIRE EFFICACY (Tq=25°C, μmol/s /W)
GQ1 Grow Light 0C25 S01-3-4M	HB-L HB-M HB-W HB-E	350	190	81	2,35
GQ1 Grow Light 0C25 S01-42-4M		420	230	99	2,32
GQ1 Grow Light 0C25 S01-5-4M		525	280	125	2
GQ1 Grow Light 0C25 S01-3-6M		350	290	122	2,38
GQ1 Grow Light 0C25 S01-42-6M		420	340	149	2,28
GQ1 Grow Light 0C25 S01-5-6M		525	420	188	2
GQ1 Grow Light 0C25 S01-3-8M		350	370	159	2,33
GQ1 Grow Light 0C25 S01-42-8M		420	450	194	2,32
GQ1 Grow Light 0C25 S01-5-8M		525	520	235	2

Values indicated in this technical sheet are to be considered rated values. Flux tolerance: ±7%. Power tolerance: ±10%. The characteristics of the product listed above are subjected to change without notice.

Radiant Distribution



DIMENSIONAL DRAWINGS



FIXING DETAIL

