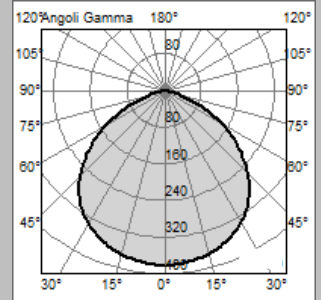
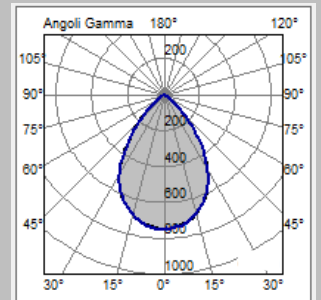


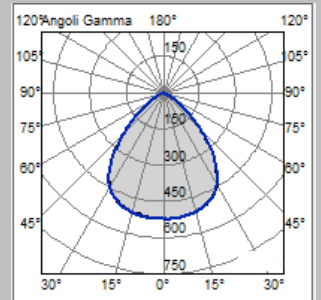
GQ1 Grow Light					
MAIN CHARACTERISTICS					
Applications	Lighting for horticulture				
Optic	HB-L: Symmetric optic, lambertian emission. HB-M: Symmetric optic, mid emission. HB-W: Symmetric optic, large emission. HB-E: Symmetric optic, elliptical emission. LED plate motor composed of sources defined in spectral length.				
	<table border="1" style="width: 100%; text-align: center;"> <tr> <td>BLUE 445nm</td> <td>Hiper RED 665nm</td> </tr> <tr> <td>20%</td> <td>80%</td> </tr> </table>	BLUE 445nm	Hiper RED 665nm	20%	80%
BLUE 445nm	Hiper RED 665nm				
20%	80%				
	Solution with ceramic LED.				
Insulation class	I				
Protection degree	IP66 IK08 total				
Dimensions	See the drawing				
Weight	7 kg				
Mounting	Ceiling fixing. Wall fixing accessory. Suspended on cable. Suspended with chain. Enclosed duct fixing.				
LED Modules	Removable optical unit.				
Gear tray	Removable.				
Operating temp.	-40°C / +50°C				
Storage temperature	-40°C / +80°C				
Main reference standards	EN 60598-1, EN 60598-2-1, EN 60598-2-24, EN 62471, EN 55015, EN 61547, EN 61000-3-2, EN 61000-3-3, EN 62493				
ELECTRICAL CHARACTERISTICS					
Rated voltage	220+240V 50/60Hz				
Power factor	>0,9 (at full load)				
Mains connection	Branch wiring: H05VV-F 3/5x1 mm ²				
Surge protection	Pulse withstand up to 4 kV				
Control system (options)	F: Fixed power not dimmable. DALI: Digital dimming interface DALI.				
Optical unit lifetime (Tq=25°C)	>100.000hr L80B50 >100.000hr L80 TM-21				
MATERIALS					
Fixing	Stainless steel.				
Body	Die-cast aluminium UNI EN1706. Powder painted.				
Canopy					
Optic	99.85% aluminium with a surface finish in 99.95% with vacuum-sealed deposition. Aluminum grade class A+ (DIN EN 16268)				
Screen	Flat tempered glass, 4mm thickness.				
Cable gland	Plastic M16x1.5 - IP68				
Gasket	Polyurethane				
Colour	White - Cod. 2D				



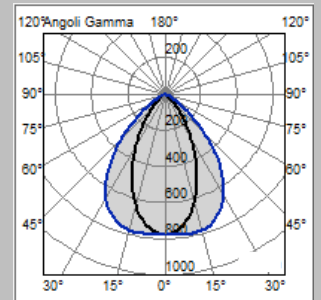
HB-L Optic



HB-M Optic



HB-W Optic



HB-E Optic

All the published photometrical data has been obtained according to applicable international standards



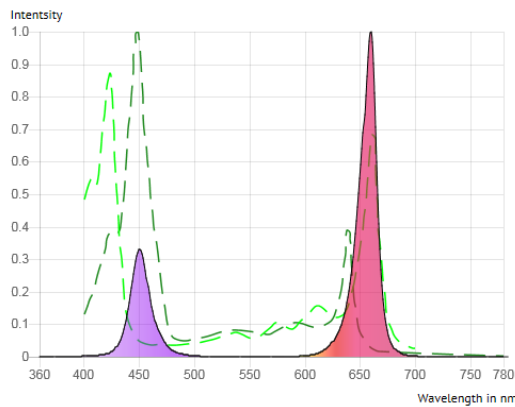


GQ1 Grow Light

LUMINAIRE	OPTIC	LED CURRENT (mA)	TOTAL PHOTONIC FLUX (Tq=25°C, μmol/s)	RATED LUMINAIRE POWER (Tq=25°C, Vin=230Vac, W)	LUMINAIRE EFFICACY (Tq=25°C, μmol/s /W)
GQ1 Grow Light 0C25 S01-3-4M	HB-L HB-M HB-W HB-E	350	190	81	2,35
GQ1 Grow Light 0C25 S01-42-4M		420	230	99	2,32
GQ1 Grow Light 0C25 S01-5-4M		525	280	125	2
GQ1 Grow Light 0C25 S01-3-6M		350	290	122	2,38
GQ1 Grow Light 0C25 S01-42-6M		420	340	149	2,28
GQ1 Grow Light 0C25 S01-5-6M		525	420	188	2
GQ1 Grow Light 0C25 S01-3-8M		350	370	159	2,33
GQ1 Grow Light 0C25 S01-42-8M		420	450	194	2,32
GQ1 Grow Light 0C25 S01-5-8M		525	520	235	2

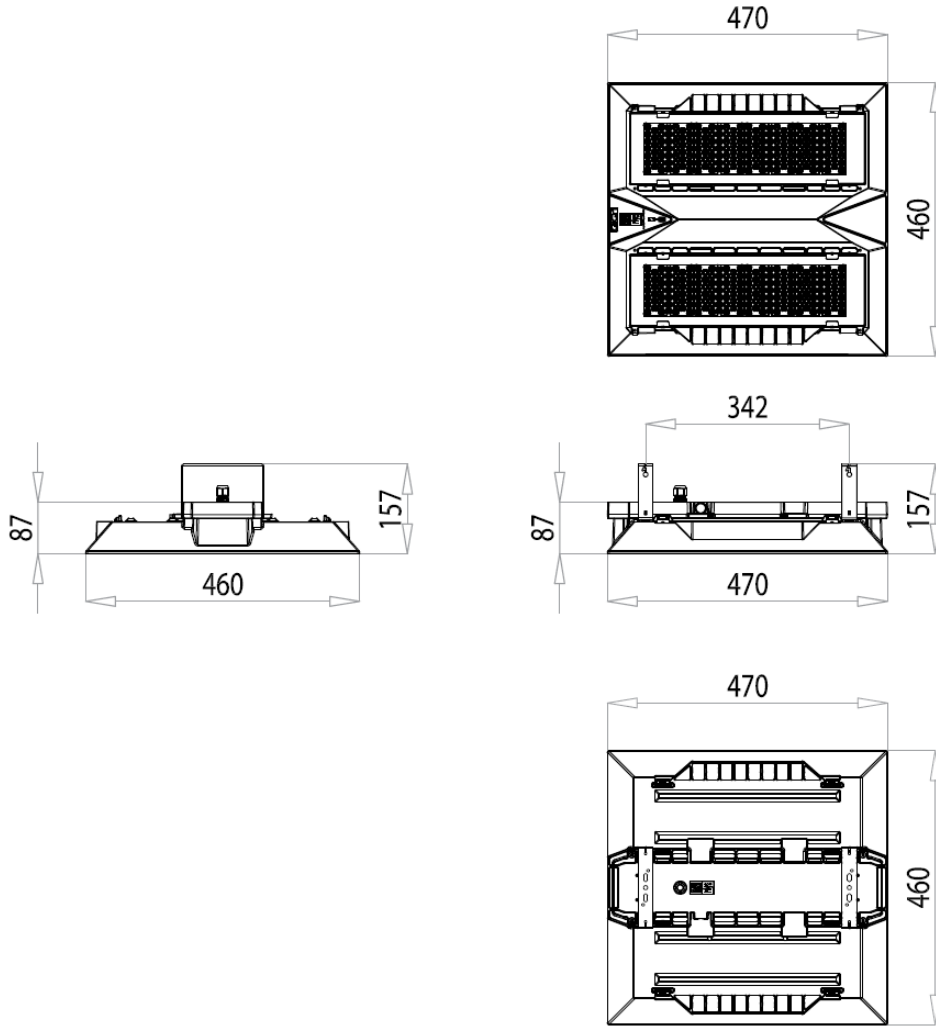
Values indicated in this technical sheet are to be considered rated values. Flux tolerance: ±7%. Power tolerance: ±10%. The characteristics of the product listed above are subjected to change without notice.

Radiant Distribution





DIMENSIONAL DRAWINGS



FIXING DETAIL

