

## GALILEO 2 EB

### MAIN CHARACTERISTICS

<b>Applications</b>	Street and architectural lighting.
<b>Optic</b>	ASP/ASC: Asymmetrical optics for floodlighting. STE-M/S: Asymmetrical optic for suburban street lighting. STW: Asymmetrical optic for wide urban and suburban road lighting, specific for wet asphalts. Colour temperature: 4000K (3000K optional), CRI ≥ 70 Photobiological safety class: EXEMPT GROUP LED source efficiency: 168 lm/W @ 525mA, Tj=85°C, 4000K
<b>Insulation class</b>	II, I
<b>Protection degree</b>	IP66   IK08
<b>LED Modules</b>	Removable / Replaceable optical unit.
<b>Tilt Angle</b>	<i>See dimensional drawings section</i>
<b>Dimensions</b>	
<b>Weight</b>	
<b>Exposed surface</b>	
<b>Mounting</b>	
<b>Gear tray</b>	Mounting over luminaire body with integrated flanges. Optional: connector M/F IP66/68 between optical unit and gear box.
<b>Operating temp.</b>	-40°C / +50°C (525mA)   -40°C / +35°C (700mA)
<b>Storage temp.</b>	-40°C / +80°C
<b>Main reference standards</b>	EN 60598-1, EN 60598-2-3, EN 60598-2-5, EN 62471, EN 55015, EN 61547, EN 61000-3-2, EN 61000-3-3

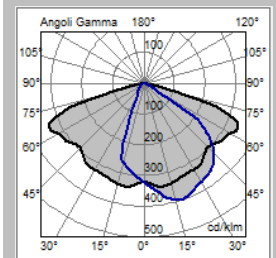


### ELECTRICAL CHARACTERISTICS

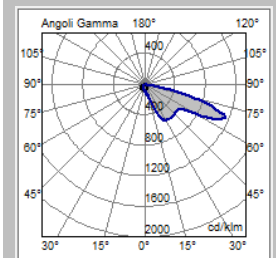
<b>Rated voltage</b>	220÷240V 50/60Hz ( <i>Standard tolerance +/-10%, other voltages and tolerances upon request</i> )
<b>Power factor</b>	>0,9 (at full load)
<b>Mains connection</b>	Cable H07RN-F nx1.5mm <sup>2</sup> Optional: connector M/F IP66/68 for cables max. 2,5mm <sup>2</sup> , Ø max. 14mm
<b>Surge protection</b>	Up to 10kV   With SPD (optional) 10kV / 10kV CM/DM
<b>SPD (optional)</b>	10kV-10kA, type II, with LED signal and thermo fuse to disconnect load at the end of life.
<b>Control system (options)</b>	F: Fixed power not dimmable. DA: Automatic dimming (virtual midnight) with default profile. DAC: Custom DA profile. FLC: Constant light flux. DB: Dual Power with control wire. DALI: Digital dimming interface DALI.
<b>Optical unit lifetime (Tq=25°C, 700mA)</b>	>100.000hr L90B10 >100.000hr L90, TM-21

### MATERIALS

<b>Fixing</b>	Galvanized and painted steel.
<b>Heat-sink</b>	Die-cast aluminium UNI EN1706 with low copper content.
<b>Body</b>	Powder painted.
<b>Gear tray body</b>	Anodized aluminum.
<b>Optic</b>	99.85% aluminium with a surface finish in 99.95% with vacuum-sealed deposition. Alluminum grade class A+ (DIN EN 16268)
<b>Screen</b>	Flat tempered glass, 5mm thickness.
<b>Cable gland</b>	Metallic, M20x1,5 – IP68
<b>Gasket</b>	Polyurethane
<b>Colour</b>	Graphite - Cod. 01



STE-M Optic



ASP-7W Optic

*All the published photometrical data has been obtained according to EN 13032-1*

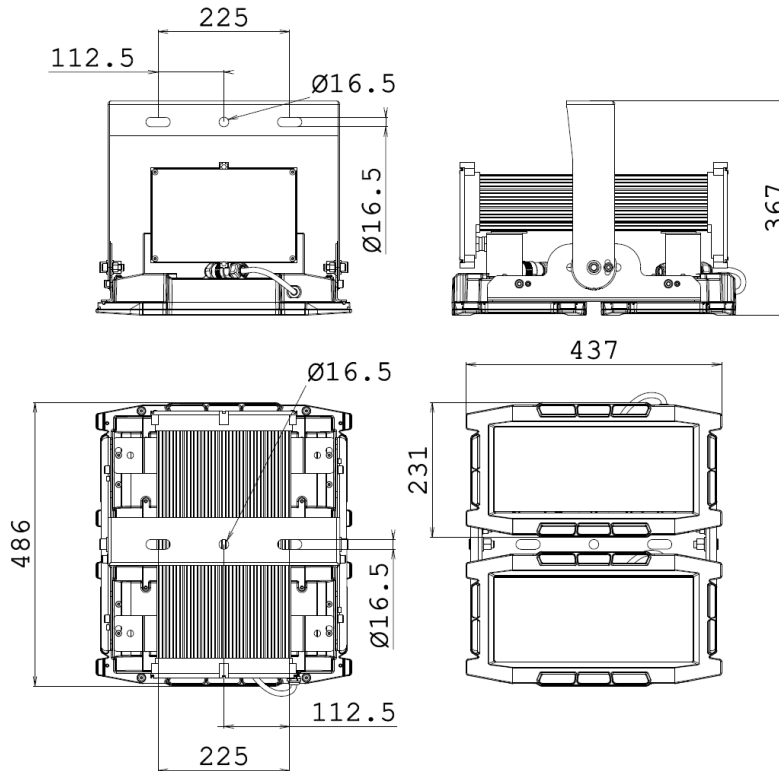
**GALILEO 2 EB**

**DIMENSIONAL DRAWINGS**

WEIGHT WITHOUT FIXING FLANGE: 19 kg

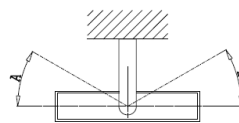
SIDE SURFACE: 0.10 m<sup>2</sup>

TOP SURFACE: 0.20 m<sup>2</sup>



**AVAILABLE FIXING FLANGES**

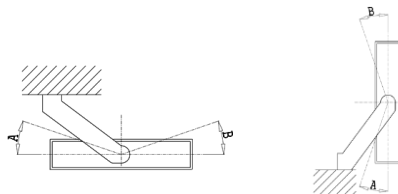
**BRACKET C – STANDARD**



A = 15°  
B = 15°

2.3 kg

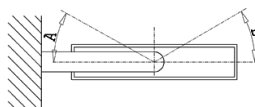
**BRACKET D – OPTIONAL**



A = 25°  
B = 25°

5.3 kg

**BRACKET E – OPTIONAL**



A = 5°  
B = 15°

3.3 kg





LUMINAIRE	OPTIC	RATED LUMINAIRE FLUX* (Tq=25°C, 4000K, lm)	RATED LUMINAIRE POWER* (Tq=25°C, Vin=230Vac, F/DA/DAC, W)	LUMINAIRE EFFICACY (Tq=25°C, lm/W)	RATED LED FLUX* (Tj=85°C, 4000K, lm)	RATED LED POWER* (Tj=85°C, W)
Galileo 2 EB 0F3 4.5-7M	STE-M STE-S STW	17590	131	134	20650	119
Galileo 2 EB 0F3 4.5-8M		20030	150	133	23600	136
Galileo 2 EB 0F3 4.5-9M		22720	169	134	26550	153
Galileo 2 EB 0F3 4.5-10M		25190	188	133	29500	170
Galileo 2 EB 0F3 4.5-11M		27740	207	134	32450	187
Galileo 2 EB 0F3 4.5-12M		30310	227	133	35400	204
Galileo 2 EB 0F3 4.7-7M	STE-M STE-S STW	22130	175	126	26145	168
Galileo 2 EB 0F3 4.7-8M		25180	201	125	29880	192
Galileo 2 EB 0F3 4.7-9M		28460	228	124	33615	216
Galileo 2 EB 0F3 4.7-10M		31710	253	125	37350	240
Galileo 2 EB 0F3 4.7-11M		34990	278	125	41085	264
Galileo 2 EB 0F3 4.7-12M		38080	304	125	44820	288
Galileo 2 EB 0F6 4.5-4M	ASC-4W	20440	150	136	23604	140
Galileo 2 EB 0F6 4.5-5M	ASP-4N	24470	190	128	29505	175
Galileo 2 EB 0F6 4.5-6M	ASP-4W	29240	224	130	35406	210
Galileo 2 EB 0F6 4.7-4M	ASC-4W	25160	201	125	29880	188
Galileo 2 EB 0F6 4.7-5M	ASP-4N	30060	254	118	37350	235
Galileo 2 EB 0F6 4.7-6M	ASP-4W	35910	300	119	44820	282
Galileo 2 EB 0F6 4.5-4M	ASC-5W	20060	150	133	23604	140
Galileo 2 EB 0F6 4.5-5M	ASP-5N	24130	190	127	29505	175
Galileo 2 EB 0F6 4.5-6M	ASP-5W	28690	224	128	35406	210



LUMINAIRE	OPTIC	RATED LUMINAIRE FLUX* (Tq=25°C, 4000K, lm)	RATED LUMINAIRE POWER* (Tq=25°C, Vin=230Vac, F/DA/DAC, W)	LUMINAIRE EFFICACY (Tq=25°C, lm/W)	RATED LED FLUX* (Tj=85°C, 4000K, lm)	RATED LED POWER* (Tj=85°C, W)
Galileo 2 EB 0F6 4.7-4M	ASC-5W	24700	201	122	29880	188
Galileo 2 EB 0F6 4.7-5M	ASP-5N	29630	254	116	37350	235
Galileo 2 EB 0F6 4.7-6M	ASP-5W	35230	300	117	44820	282
Galileo 2 EB 0F6 4.5-4M	ASC-6W	19770	150	131	23604	140
Galileo 2 EB 0F6 4.5-5M	ASP-6N	23780	190	125	29505	175
Galileo 2 EB 0F6 4.5-6M	ASP-6W	28280	224	126	35406	210
Galileo 2 EB 0F6 4.7-4M	ASC-6W	24340	201	121	29880	188
Galileo 2 EB 0F6 4.7-5M	ASP-6N	29200	254	114	37350	235
Galileo 2 EB 0F6 4.7-6M	ASP-6W	34730	300	115	44820	282
Galileo 2 EB 0F6 4.5-4M	ASC-7W	19390	150	129	23604	140
Galileo 2 EB 0F6 4.5-5M	ASP-7N	23440	190	123	29505	175
Galileo 2 EB 0F6 4.5-6M	ASP-7W	27870	224	124	35406	210
Galileo 2 EB 0F6 4.7-4M	ASC-7W	23880	201	118	29880	188
Galileo 2 EB 0F6 4.7-5M	ASP-7N	28780	254	113	37350	235
Galileo 2 EB 0F6 4.7-6M	ASP-7W	34220	300	114	44820	282

\*RATED LUMINAIRE FLUX / RATED LUMINAIRE POWER: Rated data obtained in laboratory.

\*RATED LED FLUX / RATED LED POWER: Rated data extrapolated from LED manufacturer datasheet.

Values indicated in this technical sheet are to be considered rated values. Flux tolerance: ±7%. Power tolerance: ±5%.

The characteristics of the product listed above are subjected to change without notice.



LUMINAIRE	OPTIC	RATED LUMINAIRE FLUX* (Tq=25°C, 3000K, lm)	RATED LUMINAIRE POWER* (Tq=25°C, Vin=230Vac, F/DA/DAC, W)	LUMINAIRE EFFICACY (Tq=25°C, lm/W)	RATED LED FLUX* (Tj=85°C, 3000K, lm)	RATED LED POWER* (Tj=85°C, W)
Galileo 2 EB 0F3 3.5-7M	STE-M STE-S STW	16360	131	124	18907	119
Galileo 2 EB 0F3 3.5-8M		18630	150	124	21608	136
Galileo 2 EB 0F3 3.5-9M		21130	169	125	24309	153
Galileo 2 EB 0F3 3.5-10M		23430	188	124	27010	170
Galileo 2 EB 0F3 3.5-11M		25800	207	124	29711	187
Galileo 2 EB 0F3 3.5-12M		28190	227	124	32412	204
Galileo 2 EB 0F3 3.7-7M	STE-M STE-S STW	20580	175	117	23940	168
Galileo 2 EB 0F3 3.7-8M		23420	201	116	27360	192
Galileo 2 EB 0F3 3.7-9M		26470	228	116	30780	216
Galileo 2 EB 0F3 3.7-10M		29490	253	116	34200	240
Galileo 2 EB 0F3 3.7-11M		32540	278	117	37620	264
Galileo 2 EB 0F3 3.7-12M		35410	304	116	41040	288
Galileo 2 EB 0F6 3.5-4M	ASC-4W	19010	150	126	20760	140
Galileo 2 EB 0F6 3.5-5M	ASP-4N	22760	190	119	25950	175
Galileo 2 EB 0F6 3.5-6M	ASP-4W	27190	224	121	31140	210
Galileo 2 EB 0F6 3.7-4M	ASC-4W	23400	201	116	26280	188
Galileo 2 EB 0F6 3.7-5M	ASP-4N	27960	254	110	32850	235
Galileo 2 EB 0F6 3.7-6M	ASP-4W	33400	300	111	39420	282
Galileo 2 EB 0F6 3.5-4M	ASC-5W	18660	150	124	20760	140
Galileo 2 EB 0F6 3.5-5M	ASP-5N	22440	190	118	25950	175
Galileo 2 EB 0F6 3.5-6M	ASP-5W	26680	224	119	31140	210



LUMINAIRE	OPTIC	RATED LUMINAIRE FLUX* (Tq=25°C, 3000K, lm)	RATED LUMINAIRE POWER* (Tq=25°C, Vin=230Vac, F/DA/DAC, W)	LUMINAIRE EFFICACY (Tq=25°C, lm/W)	RATED LED FLUX* (Tj=85°C, 3000K, lm)	RATED LED POWER* (Tj=85°C, W)
Galileo 2 EB 0F6 3.7-4M	ASC-5W	22970	201	114	26280	188
Galileo 2 EB 0F6 3.7-5M	ASP-5N	27560	254	108	32850	235
Galileo 2 EB 0F6 3.7-6M	ASP-5W	32760	300	109	39420	282
Galileo 2 EB 0F6 3.5-4M	ASC-6W	18390	150	122	20760	140
Galileo 2 EB 0F6 3.5-5M	ASP-6N	22120	190	116	25950	175
Galileo 2 EB 0F6 3.5-6M	ASP-6W	26300	224	117	31140	210
Galileo 2 EB 0F6 3.7-4M	ASC-6W	22640	201	112	26280	188
Galileo 2 EB 0F6 3.7-5M	ASP-6N	27160	254	106	32850	235
Galileo 2 EB 0F6 3.7-6M	ASP-6W	32300	300	107	39420	282
Galileo 2 EB 0F6 3.5-4M	ASC-7W	18030	150	120	20760	140
Galileo 2 EB 0F6 3.5-5M	ASP-7N	21800	190	114	25950	175
Galileo 2 EB 0F6 3.5-6M	ASP-7W	25920	224	115	31140	210
Galileo 2 EB 0F6 3.7-4M	ASC-7W	22210	201	110	26280	188
Galileo 2 EB 0F6 3.7-5M	ASP-7N	26770	254	105	32850	235
Galileo 2 EB 0F6 3.7-6M	ASP-7W	31820	300	106	39420	282

\*RATED LUMINAIRE FLUX / RATED LUMINAIRE POWER: Rated data obtained in laboratory.

\*RATED LED FLUX / RATED LED POWER: Rated data extrapolated from LED manufacturer datasheet.

Values indicated in this technical sheet are to be considered rated values. Flux tolerance: ±7%. Power tolerance: ±5%.

The characteristics of the product listed above are subjected to change without notice.