

## OSLO SPOT

### MAIN CHARACTERISTICS

<b>Applications</b>	Urban lighting
<b>Optic</b>	SP25 / SP40: Symmetrical optics for projection. Colour temperature: 4000K (optional 3000K, 5700K)   CRI ≥ 70 Photobiological safety class: EXEMPT GROUP LED source efficiency: 130 lm/W @ 700mA, T <sub>j</sub> =85°C – 4000K
<b>Insulation class</b>	II - I
<b>Protection degree</b>	IP66
<b>LED Modules</b>	Removable / Replaceable maintaining IP degree of optic compartment.
<b>Tilt Angle</b>	Adjustable
<b>Dimensions</b>	See the drawing
<b>Weight</b>	4.5 kg (without bracket)
<b>Exposed surface</b>	Side: 0.07m <sup>2</sup> – Top: 0.03m <sup>2</sup>
<b>Mounting</b>	Collar fixing
<b>Glare shield</b>	Removable
<b>Gear tray</b>	Removable plate.
<b>Operating temp.</b>	-40°C / +35°C
<b>Storage temperature</b>	-40°C / +80°C
<b>Main reference standards</b>	EN 60598-1, EN 60598-2-3, EN 62471, EN 55015, EN 61547, EN 61000-3-2, EN 61000-3-3

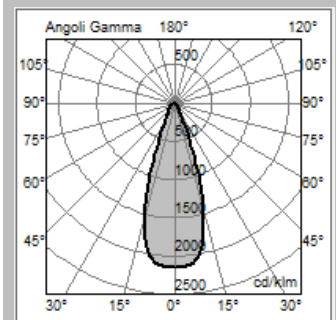


### ELECTRICAL CHARACTERISTICS

<b>Rated voltage</b>	220÷240V 50/60Hz
<b>LED current</b>	525mA, 700mA
<b>Power factor</b>	>0,9 (at full load)
<b>Mains connection</b>	External cable H07RN-F 2/3 x 1.5mm <sup>2</sup> .
<b>Control system</b>	F: Fixed power not dimmerable. DA: Automatic dimming (virtual midnight) with default profile. DAC: Custom DA profile. FLC: Constant light flux.
<b>Optical unit lifetime (T<sub>q</sub>=25°C, 700mA)</b>	>100.000hr L90B10 >100.000hr L90, TM-21

### MATERIALS

<b>Fixing and Glare shield</b>	Galvanized steel, powder painted.
<b>Body</b>	Aluminium, powder painted.
<b>Heat-sink</b>	Extruded aluminium EN AW - UNI EN 755
<b>Optic</b>	PMMA
<b>Screen</b>	Flat tempered glass, 4mm thickness.
<b>Cable gland</b>	Metallic M20x1.5 - IP68
<b>Gasket</b>	Polyurethane
<b>Colour</b>	On request.



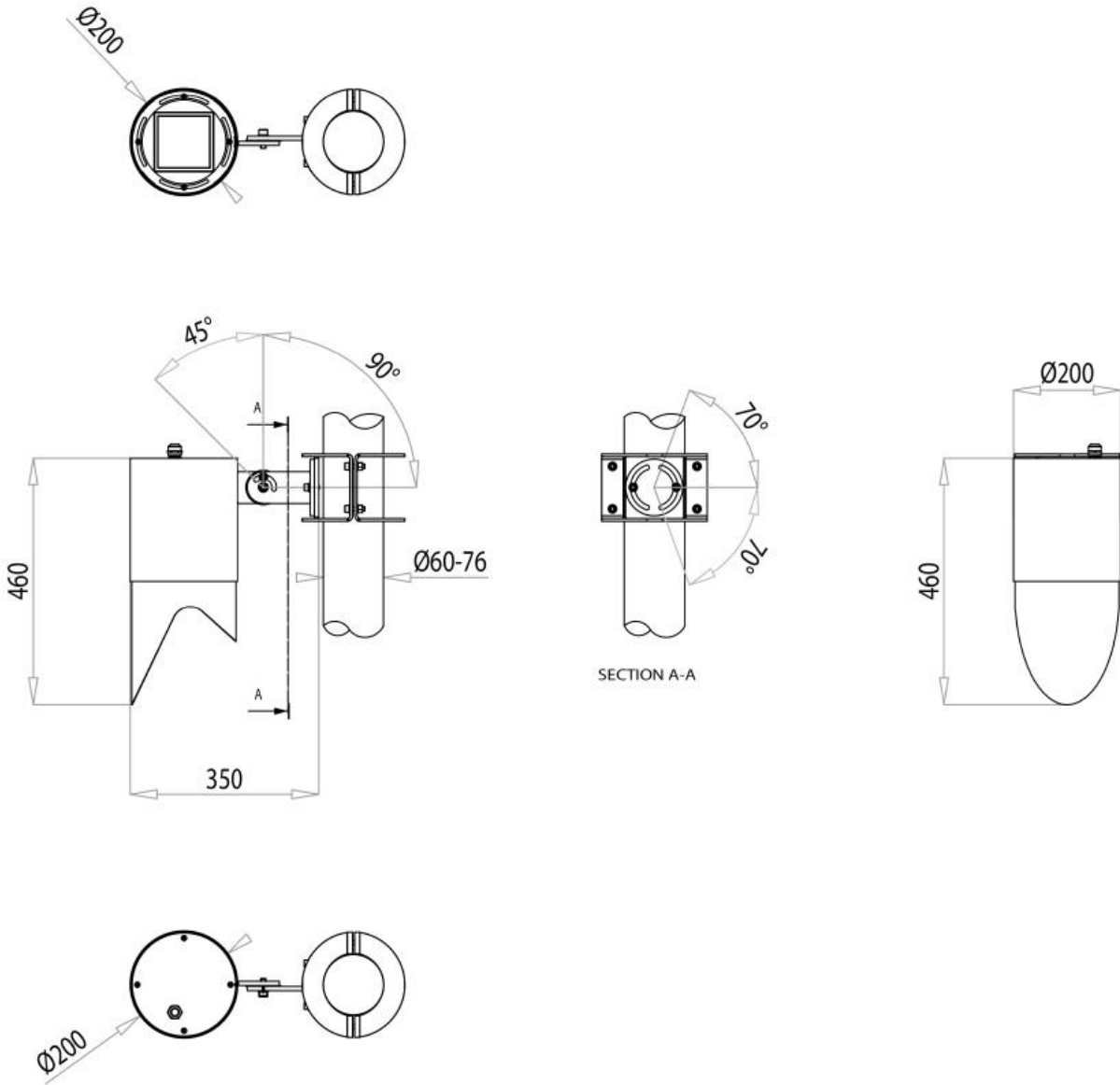
SP40 Optic

All the published photometrical data has been obtained according to EN 13032-1



# OSLO SPOT

## DIMENSIONAL DRAWING





LUMINAIRE	OPTIC	LED CURRENT (mA)	RATED LUMINAIRE FLUX* (Tq=25°C, 4000K, lm)	RATED LUMINAIRE POWER* (Tq=25°C, Vin=230Vac, F/DA/DAC, W)	LUMINAIRE EFFICACY (Tq=25°C, lm/W)	RATED LED FLUX* (Tj=85°C, 4000K, lm)	RATED LED POWER* (Tj=85°C, W)
OSLO SPOT 0H 4.5-9	SP25	525	1330	16	83	1955	13
OSLO SPOT 0H 4.7-9		700	1680	21	80	2475	18
OSLO SPOT 0H 4.5-9	SP40	525	1230	16	76	1955	13
OSLO SPOT 0H 4.7-9		700	1550	21	73	2475	18

\*RATED LUMINAIRE FLUX / RATED LUMINAIRE POWER: Rated data obtained in laboratory.

\*RATED LED FLUX / RATED LED POWER: Rated data extrapolated from LED manufacturer datasheet.

The characteristics of the product listed above are subjected to change without notice.

Values indicated in this technical sheet are to be considered rated values subject to a tolerance of +/-5%.



LUMINAIRE	OPTIC	LED CURRENT (mA)	RATED LUMINAIRE FLUX* (Tq=25°C, 3000K, lm)	RATED LUMINAIRE POWER* (Tq=25°C, Vin=230Vac, F/DA/DAC, W)	LUMINAIRE EFFICACY (Tq=25°C, lm/W)	RATED LED FLUX* (Tj=85°C, 3000K, lm)	RATED LED POWER* (Tj=85°C, W)
OSLO SPOT 0H 3.5-9	SP25	525	1240	16	77	1818	13
OSLO SPOT 0H 3.7-9		700	1560	21	74	2302	18
OSLO SPOT 0H 3.5-9	SP40	525	1140	16	71	1818	13
OSLO SPOT 0H 3.7-9		700	1440	21	68	2302	18

\*RATED LUMINAIRE FLUX / RATED LUMINAIRE POWER: Rated data obtained in laboratory.

\*RATED LED FLUX / RATED LED POWER: Rated data extrapolated from LED manufacturer datasheet.

The characteristics of the product listed above are subjected to change without notice.

Values indicated in this technical sheet are to be considered rated values subject to a tolerance of +/-5%.