

Story

STORY

MAIN CHARACTERISTICS

Applications	Street and urban lighting.
Optic	<p>HYPER COMFORT optic: HC-S: Hyper Comfort symmetrical optic for urban lighting and green areas. HC-ST: Hyper Comfort asymmetrical optic for urban lighting and green areas. TRIO optic: S05: Asymmetrical optic for street, urban and green areas lighting. S: Symmetrical optic for urban lighting and green areas. Colour temperature: 4000K (3000K optional) CRI ≥ 70 LOR= 100%, DLOR= 100%, ULOR= 0% Photobiological safety class: EXEMPT GROUP LED source efficiency: 168 lm/W @ 525mA, Tj=85°C, 4000K</p>
Insulation class	II, I
Protection degree	IP66 IK08 total
LED Modules	Removable / Replaceable.
Dimensions	See the drawing
Weight	max. 9 kg
Exposed surface	Side: 0.07m ² – Top: 0.15m ²
Mounting	TP: post-top Ø60mm (Ø76mm optional). S: suspended on brackets 1/2" GAS.
Gear tray	Removable.
Operating temp.	-40°C / +50°C
Storage temperature	-40°C / +80°C
Main reference standards	EN 60598-1, EN 60598-2-3, EN 62471, EN 55015, EN 61547, EN 61000-3-2, EN 61000-3-3



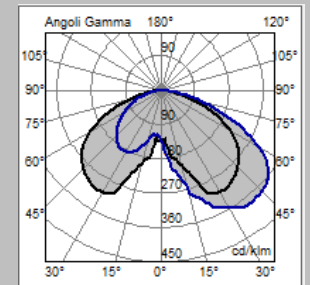
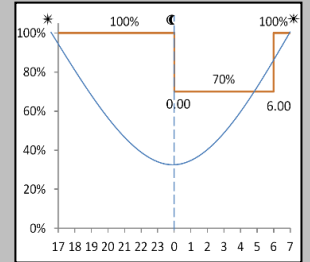
ELECTRICAL CHARACTERISTICS

Rated voltage	220÷240V 50/60Hz
Power factor	>0,9 (at full load, F, DA, DAC)
Mains connection	Cable H07RN-F nx1.5mm ² Optional: connector M/F IP66/68 for cables max. 2.5mm ² , Ø max. 12mm
Surge protection	Up to 10kV With SPD (optional) 10kV / 10kV CM/DM
SPD (optional)	10kV-10kA, type II, with LED signal and thermo fuse to disconnect load at the end of life.
Control system (options)	<p>F: Fixed power not dimmable. DA: Automatic dimming (virtual midnight) with default profile. DAC: Custom DA profile. FLC: Constant light flux. WL: Wireless single point communication system. DALI: Digital dimming interface DALI. NEMA: Socket 7 pin (ANSI C136.41). ZHAGA: Socket 4 pin (ZHAGA Book 18).</p>
Optical unit lifetime (Tq=25°C)	>100.000hr L90B10 >100.000hr L90, TM21

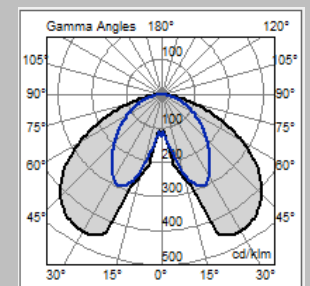
MATERIALS

Fixing	TP: Die-cast aluminum UNI EN1706 powder painted. S: Stainless steel.
Body	Die-cast aluminum UNI EN1706 powder painted.
Optic	99.85% aluminum with a surface finish in 99.95% with vacuum-sealed deposition. Aluminum grade class A+ (DIN EN 16268)
Screen	Flat tempered satin glass sp. 5mm.
Gasket	Silicon
Colour	Graphite - Cod. 01

DA Profile



S05 Optic



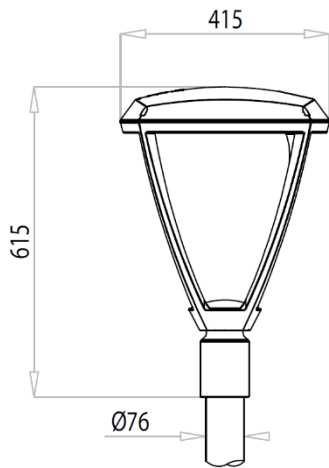
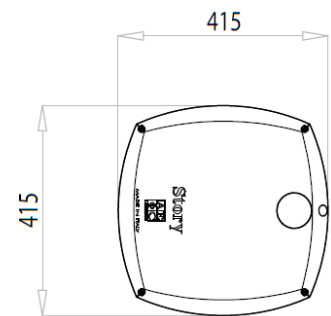
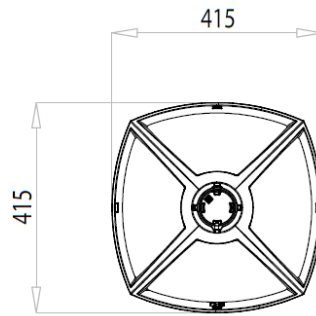
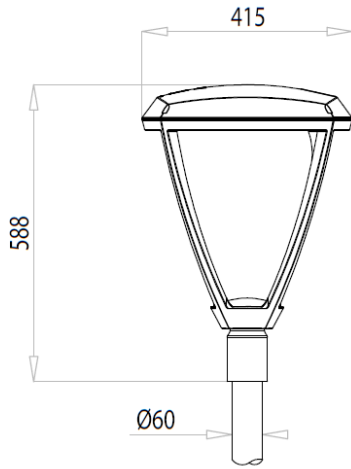
HC-S Optic

All the published photometrical data has been obtained according to EN 13032-1

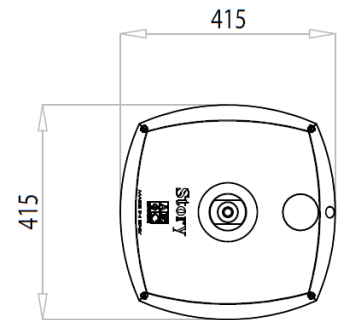
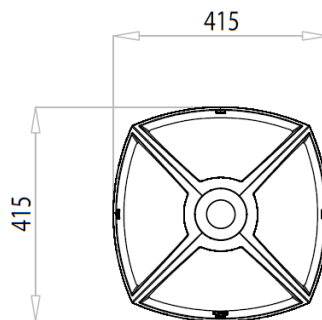
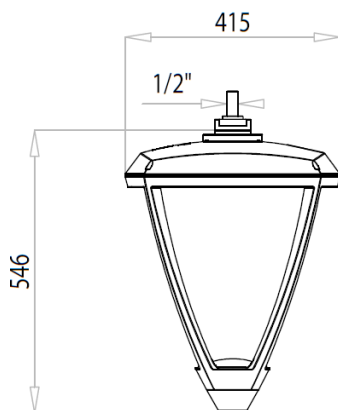


DIMENSIONAL DRAWINGS

TP



S





TP

LUMINAIRE	OPTIC	LED CURRENT (mA)	RATED LUMINAIRE FLUX* (Tq=25°C, 4000K, lm)	RATED LUMINAIRE POWER* (Tq=25°C, Vin=230Vac, F/DA/DAC, W)	LUMINAIRE EFFICACY (Tq=25°C, lm/W)	RATED LED FLUX* (Tj=85°C, 4000K, lm)	RATED LED POWER* (Tj=85°C, W)
STORY TP 2Z8 HC-S 4.25-2M VEX	HC-S	250	2420	25.5	94	4113	22
STORY TP 2Z8 HC-S 4.35-2M VEX	HC-S	350	3170	35	90	5632	31
STORY TP 2Z8 HC-ST 4.25-1M VEX	HC-ST	250	1210	13.5	89	2056	11
STORY TP 2Z8 HC-ST 4.25-2M VEX			2420	25.5	94	4113	22
STORY TP 2Z8 HC-ST 4.35-1M VEX	HC-ST	350	1580	18.5	85	2816	15.5
STORY TP 2Z8 HC-ST 4.35-2M VEX			3170	35	90	5632	31
STORY TP 2F2H1 S 4.15-4M	S	150	1690	17	99	2764	15
STORY TP 2F2H1 S 4.25-4M		250	2750	28.5	96	4424	24
STORY TP 2F2H1 S 4.35-4M		350	3730	39.5	94	6080	36
STORY TP 0F2H1 S 4.42-4M	S	420	4380	47.5	92	7076	40
STORY TP 0F2H1 S 4.5-4M		525	5290	59	89	8736	52
STORY TP 0F2H1 S 4.7-4M		700	6650	79	84	11060	72
STORY TP 2F2H1 S05 4.15-4M	S05	150	1690	17	99	2764	15
STORY TP 2F2H1 S05 4.25-4M		250	2750	28.5	96	4424	24
STORY TP 2F2H1 S05 4.35-4M		350	3730	39.5	94	6080	36
STORY TP 0F2H1 S05 4.42-4M	S05	420	4380	47.5	92	7076	40
STORY TP 0F2H1 S05 4.5-4M		525	5290	59	89	8736	52
STORY TP 0F2H1 S05 4.7-4M		700	6650	79	84	11060	72

*RATED LUMINAIRE FLUX / RATED LUMINAIRE POWER: Rated data obtained in laboratory.

*RATED LED FLUX / RATED LED POWER: Rated data extrapolated from LED manufacturer datasheet.

Values indicated in this technical sheet are to be considered rated values. Flux tolerance: $\pm 7\%$. Power tolerance: $\pm 5\%$.

Power tolerance with ZHAGA version or power supply D4i/SR: $\pm 10\%$.

The characteristics of the product listed above are subjected to change without notice.



S

LUMINAIRE	OPTIC	LED CURRENT (mA)	RATED LUMINAIRE FLUX* (Tq=25°C, 4000K, lm)	RATED LUMINAIRE POWER* (Tq=25°C, Vin=230Vac, F/DA/DAC, W)	LUMINAIRE EFFICACY (Tq=25°C, lm/W)	RATED LED FLUX* (Tj=85°C, 4000K, lm)	RATED LED POWER* (Tj=85°C, W)
STORY S 2F2H1 S 4.15-4M	S	150	1690	17	99	2764	15
STORY S 2F2H1 S 4.25-4M		250	2750	28.5	96	4424	24
STORY S 2F2H1 S 4.35-4M		350	3730	39.5	94	6080	36
STORY S 0F2H1 S 4.42-4M	S	420	4380	47.5	92	7076	40
STORY S 0F2H1 S 4.5-4M		525	5290	59	89	8736	52
STORY S 0F2H1 S 4.7-4M		700	6650	79	84	11060	72
STORY S 2F2H1 S05 4.15-4M	S05	150	1690	17	99	2764	15
STORY S 2F2H1 S05 4.25-4M		250	2750	28.5	96	4424	24
STORY S 2F2H1 S05 4.35-4M		350	3730	39.5	94	6080	36
STORY S 0F2H1 S05 4.42-4M	S05	420	4380	47.5	92	7076	40
STORY S 0F2H1 S05 4.5-4M		525	5290	59	89	8736	52
STORY S 0F2H1 S05 4.7-4M		700	6650	79	84	11060	72

*RATED LUMINAIRE FLUX / RATED LUMINAIRE POWER: Rated data obtained in laboratory.

*RATED LED FLUX / RATED LED POWER: Rated data extrapolated from LED manufacturer datasheet.

Values indicated in this technical sheet are to be considered rated values. Flux tolerance: ±7%. Power tolerance: ±5%.

Power tolerance with ZHAGA version or power supply D4i/SR: ±10%.

The characteristics of the product listed above are subjected to change without notice.



TP

LUMINAIRE	OPTIC	LED CURRENT (mA)	RATED LUMINAIRE FLUX* (Tq=25°C, 3000K, lm)	RATED LUMINAIRE POWER* (Tq=25°C, Vin=230Vac, F/DA/DAC, W)	LUMINAIRE EFFICACY (Tq=25°C, lm/W)	RATED LED FLUX* (Tj=85°C, 3000K, lm)	RATED LED POWER* (Tj=85°C, W)
STORY TP 2Z8 HC-S 3.25-2M VEX	HC-S	250	2370	25.5	92	3989	22
STORY TP 2Z8 HC-S 3.35-2M VEX	HC-S	350	3110	35	88	5463	31
STORY TP 2Z8 HC-ST 3.25-1M VEX	HC-ST	250	1180	13.5	87	1995	11
STORY TP 2Z8 HC-ST 3.25-2M VEX			2370	25.5	92	3989	22
STORY TP 2Z8 HC-ST 3.35-1M VEX	HC-ST	350	1550	18.5	83	2732	15.5
STORY TP 2Z8 HC-ST 3.35-2M VEX			3110	35	88	5463	31
STORY TP 2F2H1 S 3.15-4M	S	150	1570	17	92	2571	15
STORY TP 2F2H1 S 3.25-4M		250	2560	28.5	89	4114	24
STORY TP 2F2H1 S 3.35-4M		350	3470	39.5	87	5654	36
STORY TP 0F2H1 S 3.42-4M	S	420	4070	47.5	85	6448	40
STORY TP 0F2H1 S 3.5-4M		525	4920	59	83	7960	52
STORY TP 0F2H1 S 3.7-4M		700	6180	79	78	10080	72
STORY TP 2F2H1 S05 3.15-4M	S05	150	1570	17	92	2571	15
STORY TP 2F2H1 S05 3.25-4M		250	2560	28.5	89	4114	24
STORY TP 2F2H1 S05 3.35-4M		350	3470	39.5	87	5654	36
STORY TP 0F2H1 S05 3.42-4M	S05	420	4070	47.5	85	6448	40
STORY TP 0F2H1 S05 3.5-4M		525	4920	59	83	7960	52
STORY TP 0F2H1 S05 3.7-4M		700	6180	79	78	10080	72

*RATED LUMINAIRE FLUX / RATED LUMINAIRE POWER: Rated data obtained in laboratory.

*RATED LED FLUX / RATED LED POWER: Rated data extrapolated from LED manufacturer datasheet.

Values indicated in this technical sheet are to be considered rated values. Flux tolerance: $\pm 7\%$. Power tolerance: $\pm 5\%$.

Power tolerance with ZHAGA version or power supply D4i/SR: $\pm 10\%$.

The characteristics of the product listed above are subjected to change without notice.



S

LUMINAIRE	OPTIC	LED CURRENT (mA)	RATED LUMINAIRE FLUX* (Tq=25°C, 3000K, lm)	RATED LUMINAIRE POWER* (Tq=25°C, Vin=230Vac, F/DA/DAC, W)	LUMINAIRE EFFICACY (Tq=25°C, lm/W)	RATED LED FLUX* (Tj=85°C, 3000K, lm)	RATED LED POWER* (Tj=85°C, W)
STORY S 2F2H1 S 3.15-4M	S	150	1570	17	92	2571	15
STORY S 2F2H1 S 3.25-4M		250	2560	28.5	89	4114	24
STORY S 2F2H1 S 3.35-4M		350	3470	39.5	87	5654	36
STORY S 0F2H1 S 3.42-4M	S	420	4070	47.5	85	6448	40
STORY S 0F2H1 S 3.5-4M		525	4920	59	83	7960	52
STORY S 0F2H1 S 3.7-4M		700	6180	79	78	10080	72
STORY S 2F2H1 S05 3.15-4M	S05	150	1570	17	92	2571	15
STORY S 2F2H1 S05 3.25-4M		250	2560	28.5	89	4114	24
STORY S 2F2H1 S05 3.35-4M		350	3470	39.5	87	5654	36
STORY S 0F2H1 S05 3.42-4M	S05	420	4070	47.5	85	6448	40
STORY S 0F2H1 S05 3.5-4M		525	4920	59	83	7960	52
STORY S 0F2H1 S05 3.7-4M		700	6180	79	78	10080	72

*RATED LUMINAIRE FLUX / RATED LUMINAIRE POWER: Rated data obtained in laboratory.

*RATED LED FLUX / RATED LED POWER: Rated data extrapolated from LED manufacturer datasheet.

Values indicated in this technical sheet are to be considered rated values. Flux tolerance: $\pm 7\%$. Power tolerance: $\pm 5\%$.

Power tolerance with ZHAGA version or power supply D4/SR: $\pm 10\%$.

The characteristics of the product listed above are subjected to change without notice.