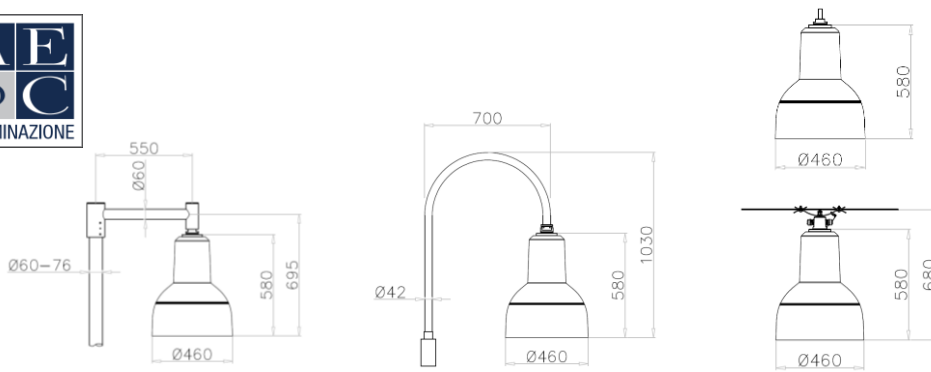




Product Sheet



ARTELYS DECO 460

MAIN CHARACTERISTICS

Applications	Street and urban lighting.
Optic	<p>STE-M/S: Asymmetrical optic for suburban street lighting. STU-M/S: Asymmetrical optic for street, urban and cycle-path lighting. STW: Asymmetrical optic for wide urban and suburban road lighting, specific for wet asphalts. S05: Asymmetrical optic for street, urban and green areas lighting. TS: Symmetrical optic for centre road lighting. SV/SV2: Asymmetrical optic for very narrow urban streets or highway entrance/exit turns. S: Symmetrical optic for urban lighting and green areas. OP-DX/SX: Asymmetrical optic for crosswalks lighting.</p> <p>Colour temperature: 4000K (3000K optional) CRI ≥ 70 LOR= 100%, DLOR= 100%, ULOR= 0% Photobiological safety class: EXEMPT GROUP LED source efficiency: 168lm/W @ 525mA, Tj=85°C, 4000K</p>
Insulation class	II, I
Protection degree	IP66 IK08 total
LED Modules	Removable / Replaceable
Dimensions	See the drawing
Weight	max 9.7kg
Exposed surface	Side: 0.15m ² – Top: 0.17m ²
Mounting	S: on brackets 1/2" GAS (typical insallation on bracket MG/TP). TS: on cable Ø5÷12mm.
Gear tray	Removable plate.
Operating temp.	-40°C / +50°C (525mA) -40°C / +35°C (700mA)
Storage temp.	-40°C / +80°C
Main reference standards	EN 60598-1, EN 60598-2-3, EN 62471, EN 55015, EN 61547, EN 61000-3-2, EN 61000-3-3



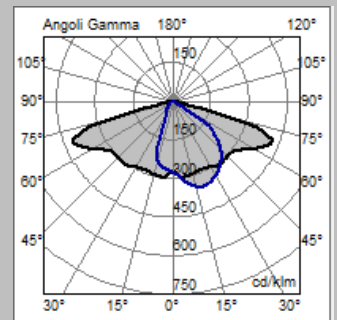
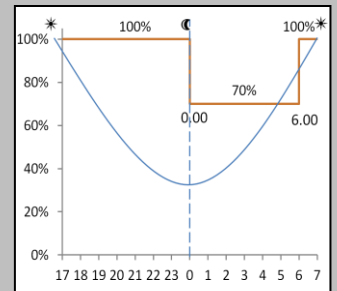
ELECTRICAL CHARACTERISTICS

Rated voltage	220÷240V 50/60Hz (Standard tolerance +/-10%. Other voltages and tolerances upon request)
Power factor	>0,95 (at full load F, DA, DAC)
On-load switch	Included, with integrated cable clamp.
Mains connection	For cables max section 4mm ²
Surge protection	Up to 10kV With SPD (optional) 10kV / 10kV CM/DM
SPD (optional)	10kV-10kA, type II, with LED signal and thermo fuse to disconnect load at the end of life.
Control system (options)	<p>F: Fixed power not dimmable. DA: Automatic dimming (virtual midnight) with default profile. DAC: Custom DA profile. FLC: Constant light flux. WL: Wireless single point communication system. DALI: Digital dimming interface DALI.</p>
Optical unit lifetime (Tq=25°C, 700mA)	>100.000hr L90B10 >100.000hr L90, TM-21

MATERIALS

Fixing	Turned steel.
Body	Turned aluminium powder painted.
Heatsink	Extruded aluminium.
Closure	Stainless steel captive screws.
Optic	99.85% aluminium with a surface finish in 99.95% with vacuum-sealed deposition. Aluminium grade class A+ (DIN EN 16268)
Screen	Flat tempered glass, 5mm thickness, high transparency.
Gasket	Polyurethane.
Colour	Graphite - Cod. 01

DA Profile



STU-M Optic

All the published photometrical data has been obtained according to EN 13032-1





LUMINAIRE	OPTIC	LED CURRENT (mA)	RATED LUMINAIRE FLUX* (Tq=25°C, 4000K, lm)	RATED LUMINAIRE POWER* (Tq=25°C, Vin=230Vac, F/DA/DAC, W)	LUMINAIRE EFFICACY (Tq=25°C, lm/W)	RATED LED FLUX* (Tj=85°C, 4000K, lm)	RATED LED POWER* (Tj=85°C, W)
ARTELYS DECO 460 0F2H1 4.5-1M	S05 STU-M STU-S SV SV2 TS	525	1840	16	115	2184	13
ARTELYS DECO 460 0F2H1 4.5-2M			3620	30.5	118	4368	26
ARTELYS DECO 460 0F2H1 4.5-3M			5420	44	123	6552	39
ARTELYS DECO 460 0F2H1 4.5-4M			7010	57	122	8736	52
ARTELYS DECO 460 0F2H1 4.7-1M	S05 STU-M STU-S SV SV2 TS	700	2370	21.5	110	2765	18
ARTELYS DECO 460 0F2H1 4.7-2M			4630	40	115	5530	36
ARTELYS DECO 460 0F2H1 4.7-3M			6890	58	118	8295	54
ARTELYS DECO 460 0F2H1 4.7-4M			8810	76	115	11060	72
ARTELYS DECO 460 0F3 4.5-1M	STE-M STE-S STW	525	2560	21.5	119	2950	17
ARTELYS DECO 460 0F3 4.5-2M			5060	39	129	5900	34
ARTELYS DECO 460 0F3 4.5-3M			7340	57	128	8850	51
ARTELYS DECO 460 0F3 4.5-4M			9750	76	128	11800	68
ARTELYS DECO 460 0F3 4.7-1M	STE-M STE-S STW	700	3200	28	114	3735	24
ARTELYS DECO 460 0F3 4.7-2M			6400	52	123	7470	48
ARTELYS DECO 460 0F3 4.7-3M			9230	76	121	11205	72
ARTELYS DECO 460 0F3 4.7-4M			12300	102	120	14940	96



LUMINAIRE	OPTIC	LED CURRENT (mA)	RATED LUMINAIRE FLUX* (Tq=25°C, 4000K, lm)	RATED LUMINAIRE POWER* (Tq=25°C, Vin=230Vac, F/DA/DAC, W)	LUMINAIRE EFFICACY (Tq=25°C, lm/W)	RATED LED FLUX* (Tj=85°C, 4000K, lm)	RATED LED POWER* (Tj=85°C, W)
ARTELYS DECO 460 0F2H1 S 4.5-2M	S	525	3620	30.5	118	4368	26
ARTELYS DECO 460 0F2H1 S 4.5-4M			7010	57	122	8736	52
ARTELYS DECO 460 0F2H1 4.7-2M	S	700	4630	40	115	5530	36
ARTELYS DECO 460 0F2H1 4.7-4M			8810	76	115	11060	72
ARTELYS DECO 460 0F6 4.5-1M	OP-DX OP-SX	525	5060	39	129	5901	35
ARTELYS DECO 460 0F6 4.5-2M			9750	76	128	11802	70

*RATED LUMINAIRE FLUX / RATED LUMINAIRE POWER: Rated data obtained in laboratory.

*RATED LED FLUX / RATED LED POWER: Rated data extrapolated from LED manufacturer datasheet.

Values indicated in this technical sheet are to be considered rated values. Flux tolerance: ±7%. Power tolerance: ±5%.

The characteristics of the product listed above are subjected to change without notice.



LUMINAIRE	OPTIC	LED CURRENT (mA)	RATED LUMINAIRE FLUX* (Tq=25°C, 3000K, lm)	RATED LUMINAIRE POWER* (Tq=25°C, Vin=230Vac, F/DA/DAC, W)	LUMINAIRE EFFICACY (Tq=25°C, lm/W)	RATED LED FLUX* (Tj=85°C, 3000K, lm)	RATED LED POWER* (Tj=85°C, W)
ARTELYS DECO 460 0F2H1 3.5-1M	S05 STU-M STU-S SV SV2 TS	525	1720	16	107	1990	13
ARTELYS DECO 460 0F2H1 3.5-2M			3360	30.5	110	3980	26
ARTELYS DECO 460 0F2H1 3.5-3M			5040	44	114	5970	39
ARTELYS DECO 460 0F2H1 3.5-4M			6520	57	114	7960	52
ARTELYS DECO 460 0F2H1 3.7-1M	S05 STU-M STU-S SV SV2 TS	700	2210	21.5	102	2520	18
ARTELYS DECO 460 0F2H1 3.7-2M			4300	40	107	5040	36
ARTELYS DECO 460 0F2H1 3.7-3M			6410	58	110	7560	54
ARTELYS DECO 460 0F2H1 3.7-4M			8190	76	107	10080	72
ARTELYS DECO 460 0F3 3.5-1M	STE-M STE-S STW	525	2380	21.5	110	2701	17
ARTELYS DECO 460 0F3 3.5-2M			4700	39	120	5402	34
ARTELYS DECO 460 0F3 3.5-3M			6830	57	119	8103	51
ARTELYS DECO 460 0F3 3.5-4M			9070	76	119	10804	68
ARTELYS DECO 460 0F3 3.7-1M	STE-M STE-S STW	700	2980	28	106	3420	24
ARTELYS DECO 460 0F3 3.7-2M			5950	52	114	6840	48
ARTELYS DECO 460 0F3 3.7-3M			8580	76	112	10260	72
ARTELYS DECO 460 0F3 3.7-4M			11440	102	112	13680	96



LUMINAIRE	OPTIC	LED CURRENT (mA)	RATED LUMINAIRE FLUX* (Tq=25°C, 3000K, lm)	RATED LUMINAIRE POWER* (Tq=25°C, Vin=230Vac, F/DA/DAC, W)	LUMINAIRE EFFICACY (Tq=25°C, lm/W)	RATED LED FLUX* (Tj=85°C, 3000K, lm)	RATED LED POWER* (Tj=85°C, W)
ARTELYS DECO 460 0F2H1 S 3.5-2M	S	525	3360	30.5	110	3980	26
ARTELYS DECO 460 0F2H1 S 3.5-4M			6520	57	114	7960	52
ARTELYS DECO 460 0F2H1 3.7-2M	S	700	4300	40	107	5040	36
ARTELYS DECO 460 0F2H1 3.7-4M			8190	76	107	10080	72
ARTELYS DECO 460 0F6 3.5-1M	OP-DX OP-SX	525	4700	39	120	5190	35
ARTELYS DECO 460 0F6 3.5-2M			9070	76	119	10380	70

*RATED LUMINAIRE FLUX / RATED LUMINAIRE POWER: Rated data obtained in laboratory.

*RATED LED FLUX / RATED LED POWER: Rated data extrapolated from LED manufacturer datasheet.

Values indicated in this technical sheet are to be considered rated values. Flux tolerance: ±7%. Power tolerance: ±5%.

The characteristics of the product listed above are subjected to change without notice.