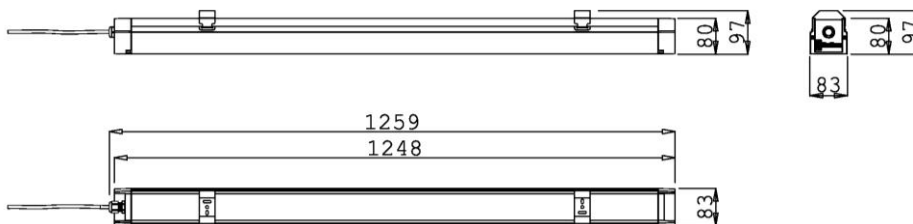
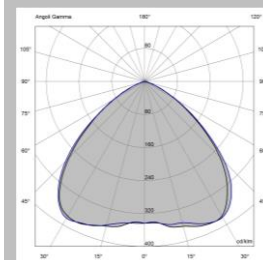


Product sheet



| GA12 | |
|--|--|
| MAIN CHARACTERISTICS | |
| Applications | Indoor lighting |
| Optic | LB-M: Symmetric optic for indoor lighting, medium emission. LB-L: Symmetric optic for indoor lighting, lambertian emission. Colour temperature: 6500K (4000K optional) CRI > 80 Photobiological safety class: EXEMPT GROUP LED source efficiency: 130 lm/W @ 525mA, Tj=85°C, 4000K |
| Insulation class | I |
| Protection degree | IP66 |
| Dimensions | See the drawing |
| Weight | 4.5kg |
| Mounting | Universal fixing for ceiling, wall, suspension. |
| Operating temp. | -20°C ÷ +35°C |
| Main reference standards | EN 60598-1, EN 60598-2-1, EN 60598-2-24, EN 62471, EN 55015, EN 61547, EN 61000-3-2, EN 61000-3-3, EN 62493 |
| | |
| ELECTRICAL CHARACTERISTICS | |
| Rated voltage | 220÷240V 50/60Hz <i>(Standard tolerance +/-10%, other voltages and tolerances upon request)</i> |
| Power factor | >0,9 (at full load) |
| Mains connection | Branch wiring: Cable H05VV-F 3/5p x 1mm ² - quick release connector M/F IP66/68 (optional) Pass through: IP66/68 Panel Terminal Block |
| Control system (optional) | F: Fixed power (base version) DALI: Dimming by DALI digital interface. |
| Optical unit lifetime (Tq=25°C) | >50.000hr L80B10 (including critical failures) >100.000hr L80, TM-21 |
| MATERIALS | |
| Fixing | Stainless steel. |
| Body | Extruded aluminium. Powder painted. |
| Optic | 99.85% aluminium with a surface finish in 99.95% with vacuum-sealed deposition. Alluminum grade class A+ (DIN EN 16268) |
| Screen | PMMA |
| Cable gland | Plastic M20x1.5 - IP68 |
| Gasket | Polyurethane |
| Colour | RAL9003 (white) |



All the published photometrical data has been obtained according to EN 13032-1



GA12 6500K

| LUMINAIRE | OPTIC | RATED LUMINAIRE FLUX ¹ (Tq=25°C, 6500K, lm) | RATED LUMINAIRE POWER ¹ (Tq=25°C, Vin=230Vac) | LUMINAIRE EFFICACY (Tq=25°C, lm/W) |
|-------------------------|-------|---|---|---------------------------------------|
| GA12 0Q28 LB-L 865-3500 | LB-L | 3720 | 32 | 116 |
| GA12 0Q42 LB-L 865-4500 | | 4740 | 38 | 125 |
| GA12 0Q42 LB-L 865-5500 | | 5620 | 46,5 | 121 |
| GA12 0Q28 LB-M 865-3500 | LB-M | 3980 | 32 | 124 |
| GA12 0Q42 LB-M 865-4500 | | 4990 | 38 | 131 |
| GA12 0Q42 LB-M 865-5500 | | 5930 | 46,5 | 128 |

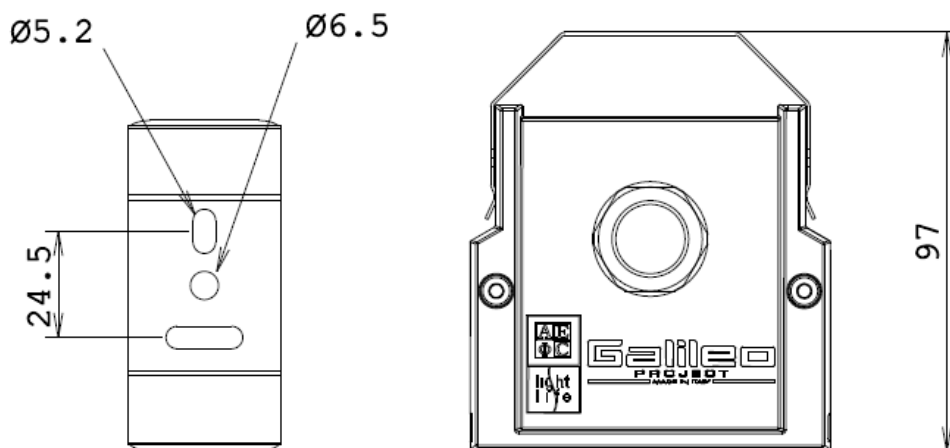
**Dati pacchetto fotometrico v. 10-16*

GA12 4000K

| LUMINAIRE | OPTIC | RATED LUMINAIRE FLUX ¹ (Tq=25°C, 4000K, lm) | RATED LUMINAIRE POWER ¹ (Tq=25°C, Vin=230Vac, F / DA / DAC. W) | LUMINAIRE EFFICACY (Tq=25°C, lm/W) |
|-------------------------|-------|---|--|---------------------------------------|
| GA12 0Q28 LB-L 840-3500 | LB-L | 3720 | 32 | 116 |
| GA12 0Q42 LB-L 840-4500 | | 4740 | 38 | 125 |
| GA12 0Q42 LB-L 840-5500 | | 5620 | 46,5 | 121 |
| GA12 0Q28 LB-M 840-3500 | LB-M | 3980 | 32 | 124 |
| GA12 0Q42 LB-M 840-4500 | | 4990 | 38 | 131 |
| GA12 0Q42 LB-M 840-5500 | | 5930 | 46,5 | 128 |

**Dati pacchetto fotometrico v. 10-16*

FIXING DETAIL



*Note: The characteristics of the product listed above are subjected to change.
Values indicated in this technical sheet are to be considered rated values subject to a tolerance of +/-5%.*