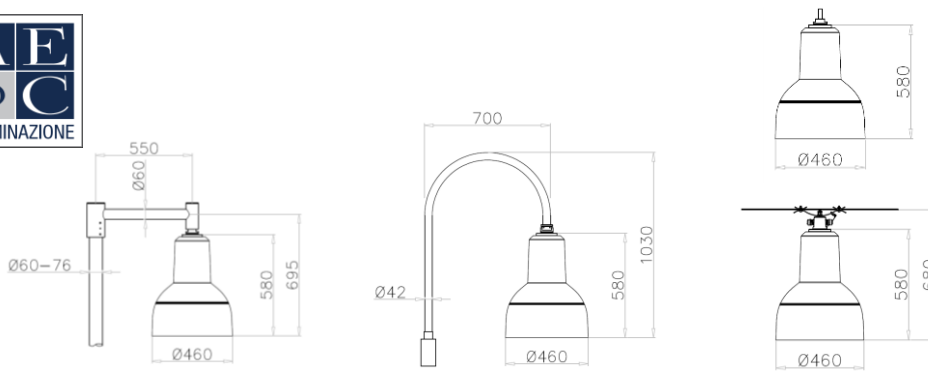


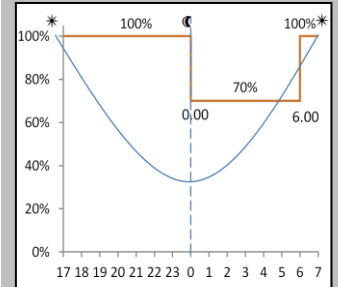


Product Sheet

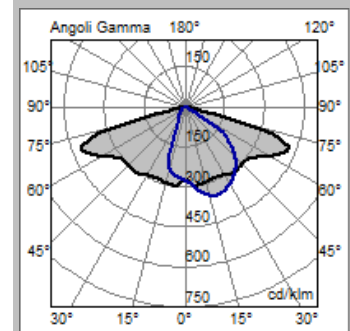
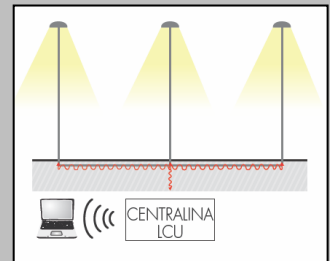


ARTELYS DECO 460	
MAIN CHARACTERISTICS	
<b>Applications</b>	Street and urban lighting.
<b>Optic</b>	STE-M/S: Asymmetrical optic for street lighting (suburban). STU-M/S: Asymmetrical optic for street lighting (urban). STW: Asymmetrical optic for wide roads and wet asphalts lighting. S05: Asymmetrical optic for urban and street lighting. TS: Asymmetrical optic for parking and urban areas. SV: Asymmetrical optic for narrow urban streets or highway entrance/exit turns. S: Roto-symmetrical optic for parking and urban areas. OP-DX / SX: Asymmetrical optic for crosswalks lighting. Colour temperature: 4000K (optional 3000K)   CRI ≥ 70 Photobiological safety class: EXEMPT GROUP LED source efficiency: 168 lm/W @ 525mA, Tj=85°C – 4000K
<b>Insulation class</b>	EU: II (I optional) – US: 1
<b>Protection degree</b>	IP66   IK08 total
<b>LED Modules</b>	Removable / Replaceable
<b>Dimensions</b>	See the drawing
<b>Weight</b>	max 11kg
<b>Exposed surface</b>	Side: 0.15m <sup>2</sup> – Top: 0.17m <sup>2</sup>
<b>Mounting</b>	S: on brackets 1/2" GAS (typical insallation on bracket MG/TP). TS: on cable Ø5÷12mm.
<b>Gear tray</b>	Removable plate.
<b>Operating temp.</b>	-40°C / +50°C (525mA)   -40°C / +35°C (700mA)
<b>Storage temp.</b>	-40°C / +80°C
<b>Main reference standards</b>	EN 60598-1, EN 60598-2-3, EN 62471, EN 55015, EN 61547, EN 61000-3-2, EN 61000-3-3
ELECTRICAL CHARACTERISTICS	
<b>Rated voltage</b>	220÷240V 50/60Hz (Standard tolerance +/-10%, other voltages and tolerances upon request)
<b>LED current</b>	525mA, 700mA
<b>Power factor</b>	>0,95 (at full load F, DA, DAC)
<b>On-load switch</b>	Included, with integrated cable clamp.
<b>Mains connection</b>	For cables max section 4mm <sup>2</sup>
<b>Surge protection</b>	SPD integrated 10kV-10kA, type II, with LED signal and thermo fuse to disconnect load at the end of life. Pulse withstand: 10kV / 10kV CM/DM
<b>Control system (options)</b>	F: Fixed power not dimmable. DA: Automatic dimming (virtual midnight) with default profile. DAC: Custom DA profile. FLC: Constant light flux. PLM: Power Line single point communication system. WL: Wireless single point communication system. DALI: Digital dimming interface DALI.
<b>Optical unit lifetime (Tq=25°C, 700mA)</b>	>100.000hr L90B10 >100.000hr L90, TM-21
MATERIALS	
<b>Fixing</b>	Stainless steel.
<b>Body</b>	Spun aluminium calotte powder painted.
<b>Heatsink</b>	Extruded aluminium.
<b>Closure hook</b>	Stainless steel captive screws.
<b>Optic</b>	99.85% aluminium with a surface finish in 99.95% with vacuum-sealed deposition. Aluminium grade class A+ (DIN EN 16268)
<b>Screen</b>	Flat tempered glass with silk screen printing, 5mm thickness.
<b>Gasket</b>	Polyurethane.
<b>Colour</b>	Graphite (Cod. 01)

DA Profile



PLM



STU-M Optic

All the published photometrical data has been obtained according to EN 13032-1





**4000K**

LUMINAIRE	LED Current (mA)	OPTIC	RATED LUMINAIRE FLUX <sup>1</sup> (Tq=25°C, 4000K, lm)	RATED LUMINAIRE POWER <sup>1</sup> (Tq=25°C, Vin=230Vac, F / DA / DAC, W)	LUMINAIRE EFFICACY (Tq=25°C, lm/W)	RATED LED FLUX <sup>2</sup> (Tj=85°C, 4000K, lm)	RATED LED POWER <sup>2</sup> (Tj=85°C, W)	
ARTELYS DECO 460 0F2H1 4.5-1M	525	STU-S	1840	16	115	2184	13	
ARTELYS DECO 460 0F2H1 4.5-2M		STU-M	3620	30,5	119	4369	26	
ARTELYS DECO 460 0F2H1 4.5-3M		S05	5420	44	123	6553	39	
ARTELYS DECO 460 0F2H1 4.5-4M		TS	7010	57	123	8737	53	
ARTELYS DECO 460 0F2H1 4.7-1M	700	SV	2370	21,5	110	2765	18	
ARTELYS DECO 460 0F2H1 4.7-2M		STU-S	4630	40	116	5530	36	
ARTELYS DECO 460 0F2H1 4.7-3M		STU-M	6890	58	119	8295	53	
ARTELYS DECO 460 0F2H1 4.7-4M		S05	8810	76	116	11060	71	
ARTELYS DECO 460 0F2H1 4.5-2M	525	S	3620	30,5	119	4369	26	
ARTELYS DECO 460 0F2H1 4.5-4M			7010	57	123	8737	53	
ARTELYS DECO 460 0F2H1 4.7-2M	700	S	4630	40	116	5530	36	
ARTELYS DECO 460 0F2H1 4.7-4M			8810	76	116	11060	71	
ARTELYS DECO 460 0F3 4.5-1M	525	STE-S	2560	21,5	119	2951	18	
ARTELYS DECO 460 0F3 4.5-2M			STE-M	5060	39	130	5901	35
ARTELYS DECO 460 0F3 4.5-3M			TS	7340	57	129	8852	53
ARTELYS DECO 460 0F3 4.5-4M			STW	9750	76	128	11803	70
ARTELYS DECO 460 0F3 4.7-1M	700	STE-S	3200	28	114	3735	24	
ARTELYS DECO 460 0F3 4.7-2M			STE-M	6400	52	123	7470	47
ARTELYS DECO 460 0F3 4.7-3M			TS	9230	76	121	11205	71
ARTELYS DECO 460 0F3 4.7-4M			STW	12300	102	121	14940	95
ARTELYS DECO 460 0F6 4.5-1M	525	OP-DX	5060	39	130	5901	35	
ARTELYS DECO 460 0F6 4.5-2M			OP-SX	9750	76	128	14940	95

**3000K**

LUMINAIRE	LED Current (mA)	OPTIC	RATED LUMINAIRE FLUX <sup>1</sup> (Tq=25°C, 3000K, lm)	RATED LUMINAIRE POWER <sup>1</sup> (Tq=25°C, Vin=230Vac, F / DA / DAC, W)	LUMINAIRE EFFICACY (Tq=25°C, lm/W)	RATED LED FLUX <sup>2</sup> (Tj=85°C, 3000K, lm)	RATED LED POWER <sup>2</sup> (Tj=85°C, W)	
ARTELYS DECO 460 0F2H1 3.5-1M	525	STU-S	1710	16	107	2031	13	
ARTELYS DECO 460 0F2H1 3.5-2M		STU-M	3370	30,5	110	4063	26	
ARTELYS DECO 460 0F2H1 3.5-3M		S05	5040	44	115	6094	39	
ARTELYS DECO 460 0F2H1 3.5-4M		TS	6520	57	114	8126	53	
ARTELYS DECO 460 0F2H1 3.7-1M	700	SV	2200	21,5	102	2571	18	
ARTELYS DECO 460 0F2H1 3.7-2M		STU-S	4310	40	108	5143	36	
ARTELYS DECO 460 0F2H1 3.7-3M		STU-M	6410	58	111	7714	53	
ARTELYS DECO 460 0F2H1 3.7-4M		S05	8190	76	108	10286	71	
ARTELYS DECO 460 0F2H1 3.5-2M	525	S	3370	30,5	110	4063	26	
ARTELYS DECO 460 0F2H1 3.5-4M			6520	57	114	8126	53	
ARTELYS DECO 460 0F2H1 3.7-2M	700	S	4310	40	108	5143	36	
ARTELYS DECO 460 0F2H1 3.7-4M			8190	76	108	10286	71	
ARTELYS DECO 460 0F3 3.5-1M	525	STE-S	2380	21,5	111	2744	18	
ARTELYS DECO 460 0F3 3.5-2M			STE-M	4710	39	121	5488	35
ARTELYS DECO 460 0F3 3.5-3M			TS	6830	57	120	8232	53
ARTELYS DECO 460 0F3 3.5-4M			STW	9070	76	119	10976	70
ARTELYS DECO 460 0F3 3.7-1M	700	STE-S	2980	28	106	3474	24	
ARTELYS DECO 460 0F3 3.7-2M			STE-M	5950	52	114	6947	47
ARTELYS DECO 460 0F3 3.7-3M			TS	8580	76	113	10421	71
ARTELYS DECO 460 0F3 3.7-4M			STW	11440	102	112	13894	95
ARTELYS DECO 460 0F6 3.5-1M	525	OP-DX	4710	39	121	5488	35	
ARTELYS DECO 460 0F6 3.5-2M			OP-SX	9070	76	119	13894	95

The tables above describe the flux and output power of the available versions. These parameters are necessary in order to guarantee a correct comparison of the luminaire performance. In particular, the luminaire efficiency (expressed in lm/W) must be calculated as the ratio between the output luminous flux of the luminaire and the power absorbed by the input power supply unit.

For the sake of completeness the tables also show the data of the nominal flux and power of the used LED.

Note: 1: Rated data obtained in laboratory | 2: Rated data extrapolated from LED manufacturer datasheet.

The characteristics of the product listed above are subjected to change without notice.

They will have to be confirmed in case of order.

Values indicated in this technical sheet are to be considered rated values subject to a tolerance of +/-5%.





Product Sheet

LUMINAIRE	LED Current (mA)	OPTIC	INRUSH CURRENT Duration 50%pk (µs)	INRUSH CURRENT Peak (A)	MCB B-Type 10A / 16A / 25A	MCB C-Type 10A / 16A / 25A	SURGE PROTECTION CL.I (CM / DM, kV)	SURGE PROTECTION CL.II (CM / DM, kV)
ARTELYS DECO 460 0F2H1 4.5-1M	525	STU-S STU-M S05 TS SV	360	15	14 / 23 / 35	23 / 39 / 59	10 / 10	10 / 10
ARTELYS DECO 460 0F2H1 4.5-2M			250	30	10 / 17 / 28	17 / 28 / 44	10 / 10	10 / 10
ARTELYS DECO 460 0F2H1 4.5-3M			230	55	7 / 12 / 20	12 / 20 / 32	10 / 10	10 / 10
ARTELYS DECO 460 0F2H1 4.5-4M			230	55	7 / 12 / 20	12 / 20 / 32	10 / 10	10 / 10
ARTELYS DECO 460 0F2H1 4.7-1M	700	STU-S STU-M S05 TS SV	360	15	14 / 23 / 35	23 / 39 / 59	10 / 10	10 / 10
ARTELYS DECO 460 0F2H1 4.7-2M			250	30	10 / 17 / 28	17 / 28 / 44	10 / 10	10 / 10
ARTELYS DECO 460 0F2H1 4.7-3M			230	55	7 / 12 / 20	12 / 20 / 32	10 / 10	10 / 10
ARTELYS DECO 460 0F2H1 4.7-4M			210	57	7 / 12 / 20	12 / 20 / 32	10 / 10	10 / 10
ARTELYS DECO 460 0F2H1 4.5-2M	525	S	250	30	10 / 17 / 28	17 / 28 / 44	10 / 10	10 / 10
ARTELYS DECO 460 0F2H1 4.5-4M			230	55	7 / 12 / 20	12 / 20 / 32	10 / 10	10 / 10
ARTELYS DECO 460 0F2H1 4.7-2M	700	S	250	30	10 / 17 / 28	17 / 28 / 44	10 / 10	10 / 10
ARTELYS DECO 460 0F2H1 4.7-4M			210	57	7 / 12 / 20	12 / 20 / 32	10 / 10	10 / 10
ARTELYS DECO 460 0F3 4.5-1M	525	STE-S STE-M STW	360	15	14 / 23 / 35	23 / 39 / 59	10 / 10	10 / 10
ARTELYS DECO 460 0F3 4.5-2M			250	30	10 / 17 / 28	17 / 28 / 44	10 / 10	10 / 10
ARTELYS DECO 460 0F3 4.5-3M			230	55	7 / 12 / 20	12 / 20 / 32	10 / 10	10 / 10
ARTELYS DECO 460 0F3 4.5-4M			210	57	7 / 12 / 20	12 / 20 / 32	10 / 10	10 / 10
ARTELYS DECO 460 0F3 4.7-1M	700	STE-S STE-M STW	250	30	10 / 17 / 28	17 / 28 / 44	10 / 10	10 / 10
ARTELYS DECO 460 0F3 4.7-2M			230	55	7 / 12 / 20	12 / 20 / 32	10 / 10	10 / 10
ARTELYS DECO 460 0F3 4.7-3M			210	57	7 / 12 / 20	12 / 20 / 32	10 / 10	10 / 10
ARTELYS DECO 460 0F3 4.7-4M			330	62	4 / 8 / 14	8 / 14 / 21	10 / 10	10 / 10
ARTELYS DECO 460 0F6 4.5-1M	525	OP-DX OP-SX	250	30	10 / 17 / 28	17 / 28 / 44	10 / 10	10 / 10
ARTELYS DECO 460 0F6 4.5-2M			210	57	7 / 12 / 20	12 / 20 / 32	10 / 10	10 / 10

NOTE 1: The number of luminaires under a three-phase MCB is calculated multiplying by 3 the number in the table. These values are based on data declared by power supply manufacturer and tested on worst case MCB model. An inrush current limiter (i.e. Finder SSR 77.11.x.xxx.8250 (15A) or 77.31.x.xxx.8050 model (30A)) can improve the max.number of luminaire under the MCB

NOTE 2: Power supply manufacturer never did any considerations about 50A or 63A MCB. So we can't declare anything about using of MCB higher than 25A.

