

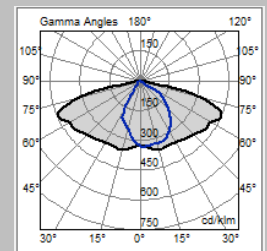
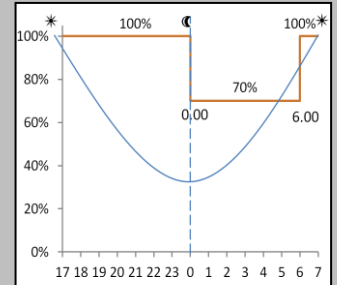
## COMPASS 2

### MAIN CHARACTERISTICS

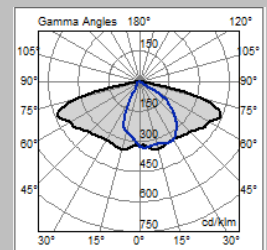
<b>Applications</b>	Street and urban lighting.
<b>Optic</b>	<p>STU-S: Asymmetrical optic for street, urban and cycle-path lighting (narrow emission).                  STU-M: Asymmetrical optic for street, urban and cycle-path lighting (medium emission).                  STU-W: Asymmetrical optic for wide urban and suburban road lighting.                  S03: Asymmetrical optic for wide urban and suburban road lighting.                  S: Symmetrical optic for urban lighting and green areas.                  Colour temperature: 4000K (3000K optional)   CRI ≥ 70                  LOR= 100%, DLOR= 100%, ULOR= 0%                  Photobiological safety class: EXEMPT GROUP                  LED source efficiency: 174 lm/W @ 400mA, Tj=85°C, 4000K</p>
<b>Insulation class</b>	II, I
<b>Protection degree</b>	IP66   IK08 total
<b>LED Modules</b>	Removable / Replaceable
<b>Dimensions</b>	See the drawing
<b>Weight</b>	max 13.5kg
<b>Exposed surface</b>	Side: 0.06m <sup>2</sup> – Top: 0.32m <sup>2</sup>
<b>Mounting</b>	<p>TP/BR: Installation on post top Ø48-60mm - on bracket: Ø42-60mm.                  Post top inclination: 0°, +5°, +10°, +15°, +20°.                  Bracket inclination: +5°, 0°, -5°, -10°, -15°, -20°.                  TP: Installation on post top ø60-76-102 mm.                  Post top inclination: 0°, +5°, +10°, +15°, +20°.                  AM: Wall mounting. Inclination: 0°, +5°, +10°, +15°, +20°.                  S: Suspended installation on bracket 1/2" GAS</p>
<b>Gear tray</b>	Removable plate.
<b>Operating temp.</b>	-40°C / +50°C
<b>Storage temperature</b>	-40°C / +80°C
<b>Main reference standards</b>	EN 60598-1, EN 60598-2-3, EN 62471, EN 55015, EN 61547, EN 61000-3-2, EN-61000-3-3
<b>ELECTRICAL CHARACTERISTICS</b>	
<b>Rated voltage</b>	220÷240V 50/60Hz
<b>Power factor</b>	>0,9 (at full load, F, DA, DAC)
<b>On-load switch</b>	Included, with integrated cable clamp.
<b>Mains connection</b>	For cables max section 4mm <sup>2</sup>
<b>Surge protection</b>	Up to 10kV   With SPD (optional) 10kV / 10kV CM/DM
<b>SPD (optional)</b>	10kV-10kA, type II, with LED signal and thermo fuse to disconnect load at the end of life.
<b>Control system (options)</b>	<p>F: Fixed power not dimmable.                  DA: Automatic dimming (virtual midnight) with default profile.                  DAC: Custom DA profile.                  FLC: Constant light flux.                  WL: Wireless single point communication system.                  DALI: Digital dimming interface DALI.                  NEMA: Socket 7 pin (ANSI C136.41).                  ZHAGA: Socket 4 pin (ZHAGA Book 18).</p>
<b>Optical unit lifetime (Tq=25°C, 500mA)</b>	<p>&gt;100.000hr L90B10                  &gt;100.000hr L90, TM21</p>
<b>MATERIALS</b>	
<b>Fixing</b>	Die-cast aluminum UNI EN1706 powder painted.
<b>Body</b>	
<b>Closure hook</b>	
<b>Optic</b>	99.85% aluminum with a surface finish in 99.95% with vacuum-sealed deposition. Aluminum grade class A+ (DIN EN 16268)
<b>Screen</b>	Flat tempered glass, 5mm thickness high transparency.
<b>Cable gland</b>	Plastic M20x1.5 - IP68
<b>Gasket</b>	Polyurethane
<b>Colour</b>	Graphite - Cod. 01



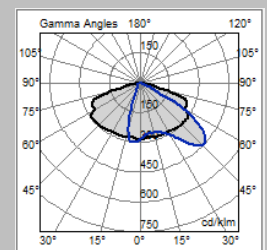
### DA Profile



STU-S Optic



STU-M Optic

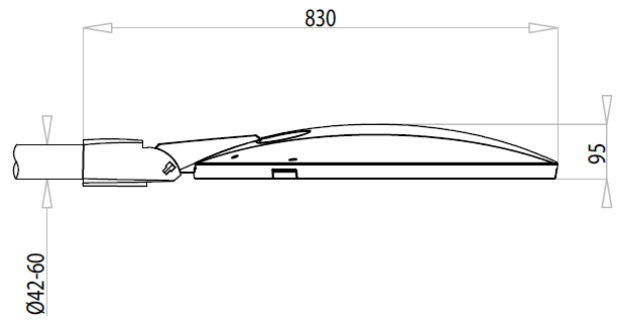
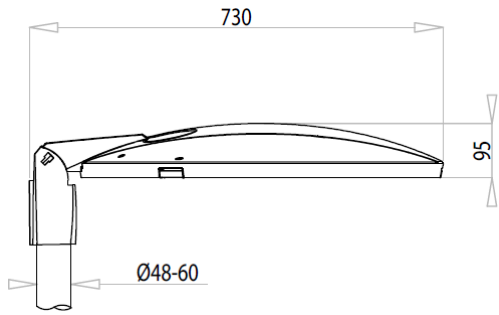


S03 Optic

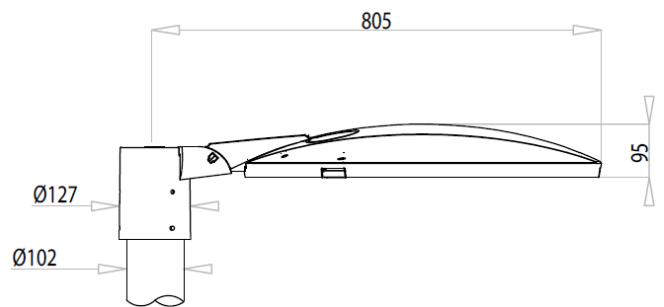
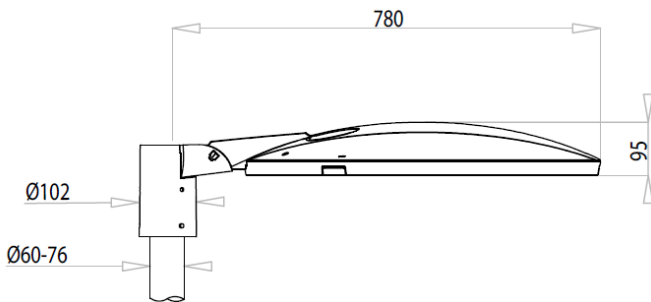
All the published photometrical data has been obtained according to EN 13032-1



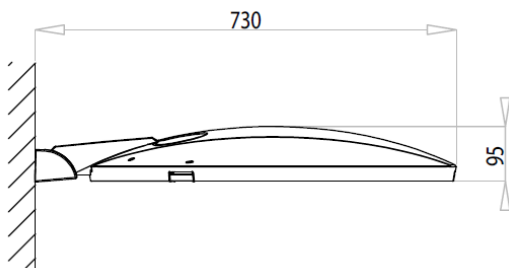
TP-BR



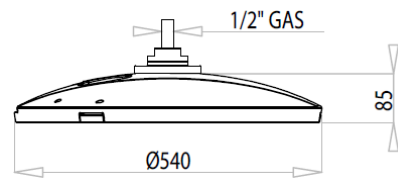
TP



AM



S





LUMINAIRE	OPTIC	LED CURRENT (mA)	RATED LUMINAIRE FLUX* (Tq=25°C, 4000K, lm)	RATED LUMINAIRE POWER* (Tq=25°C, Vin=230Vac, F/DA/DAC, W)	LUMINAIRE EFFICACY (Tq=25°C, lm/W)	RATED LED FLUX* (Tj=85°C, 4000K, lm)	RATED LED POWER* (Tj=85°C, W)
COMPASS 2 2W8 4.40-1M	STU-M STU-S STU-W	400	2830	21.5	131	3184	18
COMPASS 2 2W8 4.40-2M			5700	40.5	140	6368	36
COMPASS 2 2W8 4.40-3M			8490	59.5	142	9552	54
COMPASS 2 2W8 4.40-4M			11180	79.5	140	12736	72
COMPASS 2 2W8 4.40-5M			13760	98	140	15920	90
COMPASS 2 2W8 4.40-6M			16730	118	141	19104	108
COMPASS 2 2W8 4.50-1M	STU-M STU-S STU-W	500	3420	27	126	3899	23
COMPASS 2 2W8 4.50-2M			6950	51.5	134	7798	46
COMPASS 2 2W8 4.50-3M			10250	75.5	135	11697	69
COMPASS 2 2W8 4.50-4M			13370	100	133	15596	92
COMPASS 2 2W8 4.50-5M			16220	123	131	19495	115
COMPASS 2 2W8 4.50-6M			19980	149	134	23394	138
COMPASS 2 2W8 4.40-1M	S03	400	2780	21.5	129	3184	18
COMPASS 2 2W8 4.40-2M			5590	40.5	138	6368	36
COMPASS 2 2W8 4.40-3M			8320	59.5	139	9552	54
COMPASS 2 2W8 4.40-4M			10950	79.5	137	12736	72
COMPASS 2 2W8 4.40-5M			13490	98	137	15920	90
COMPASS 2 2W8 4.40-6M			16400	118	138	19104	108
COMPASS 2 2W8 4.50-1M	S03	500	3350	27	124	3899	23
COMPASS 2 2W8 4.50-2M			6820	51.5	132	7798	46
COMPASS 2 2W8 4.50-3M			10050	75.5	133	11697	69
COMPASS 2 2W8 4.50-4M			13100	100	131	15596	92
COMPASS 2 2W8 4.50-5M			15900	123	129	19495	115
COMPASS 2 2W8 4.50-6M			19580	149	131	23394	138



LUMINAIRE	OPTIC	LED CURRENT (mA)	RATED LUMINAIRE FLUX* (Tq=25°C, 4000K, lm)	RATED LUMINAIRE POWER* (Tq=25°C, Vin=230Vac, F/DA/DAC, W)	LUMINAIRE EFFICACY (Tq=25°C, lm/W)	RATED LED FLUX* (Tj=85°C, 4000K, lm)	RATED LED POWER* (Tj=85°C, W)
COMPASS 2 2W8 4.40-2M	S	400	5590	40.5	138	6368	36
COMPASS 2 2W8 4.40-4M			10950	79.5	137	12736	72
COMPASS 2 2W8 4.40-6M			16400	118	138	19104	108
COMPASS 2 2W8 4.50-2M	S	500	6820	51.5	132	7798	46
COMPASS 2 2W8 4.50-4M			13100	100	131	15596	92
COMPASS 2 2W8 4.50-6M			19580	149	131	23394	138

\*RATED LUMINAIRE FLUX / RATED LUMINAIRE POWER: Rated data obtained in laboratory.

\*RATED LED FLUX / RATED LED POWER: Rated data extrapolated from LED manufacturer datasheet.

Values indicated in this technical sheet are to be considered rated values. Flux tolerance: ±7%. Power tolerance: ±5%.

Power tolerance with ZHAGA version or power supply D4i/SR: ±10%.

The characteristics of the product listed above are subjected to change without notice.



LUMINAIRE	OPTIC	LED CURRENT (mA)	RATED LUMINAIRE FLUX* (Tq=25°C, 3000K, lm)	RATED LUMINAIRE POWER* (Tq=25°C, Vin=230Vac, F/DA/DAC, W)	LUMINAIRE EFFICACY (Tq=25°C, lm/W)	RATED LED FLUX* (Tj=85°C, 3000K, lm)	RATED LED POWER* (Tj=85°C, W)
COMPASS 2 2W8 3.40-1M	STU-M STU-S STU-W	400	2780	21.5	129	3089	18
COMPASS 2 2W8 3.40-2M			5590	40.5	138	6178	36
COMPASS 2 2W8 3.40-3M			8320	59.5	139	9267	54
COMPASS 2 2W8 3.40-4M			10950	79.5	137	12356	72
COMPASS 2 2W8 3.40-5M			13490	98	137	15445	90
COMPASS 2 2W8 3.40-6M			16400	118	138	18534	108
COMPASS 2 2W8 3.50-1M	STU-M STU-S STU-W	500	3350	27	124	3782	23
COMPASS 2 2W8 3.50-2M			6820	51.5	132	7564	46
COMPASS 2 2W8 3.50-3M			10050	75.5	133	11346	69
COMPASS 2 2W8 3.50-4M			13100	100	131	15128	92
COMPASS 2 2W8 3.50-5M			15900	123	129	18910	115
COMPASS 2 2W8 3.50-6M			19580	149	131	22692	138
COMPASS 2 2W8 3.40-1M	S03	400	2720	21.5	126	3089	18
COMPASS 2 2W8 3.40-2M			5480	40.5	135	6178	36
COMPASS 2 2W8 3.40-3M			8150	59.5	136	9267	54
COMPASS 2 2W8 3.40-4M			10730	79.5	134	12356	72
COMPASS 2 2W8 3.40-5M			13220	98	134	15445	90
COMPASS 2 2W8 3.40-6M			16070	118	136	18534	108
COMPASS 2 2W8 3.50-1M	S03	500	3280	27	121	3782	23
COMPASS 2 2W8 3.50-2M			6680	51.5	129	7564	46
COMPASS 2 2W8 3.50-3M			9840	75.5	130	11346	69
COMPASS 2 2W8 3.50-4M			12840	100	128	15128	92
COMPASS 2 2W8 3.50-5M			15580	123	126	18910	115
COMPASS 2 2W8 3.50-6M			19190	149	128	22692	138



LUMINAIRE	OPTIC	LED CURRENT (mA)	RATED LUMINAIRE FLUX* (Tq=25°C, 3000K, lm)	RATED LUMINAIRE POWER* (Tq=25°C, Vin=230Vac, F/DA/DAC, W)	LUMINAIRE EFFICACY (Tq=25°C, lm/W)	RATED LED FLUX* (Tj=85°C, 3000K, lm)	RATED LED POWER* (Tj=85°C, W)
COMPASS 2 2Z8 S 3.40-2M	S	400	5480	40.5	135	6178	36
COMPASS 2 2Z8 S 3.40-4M			10730	79.5	134	12356	72
COMPASS 2 2Z8 S 3.40-6M			16070	118	136	18534	108
COMPASS 2 2Z8 S 3.50-2M	S	500	6680	51.5	129	7564	46
COMPASS 2 2Z8 S 3.50-4M			12840	100	128	15128	92
COMPASS 2 2Z8 S 3.50-6M			19190	149	128	22692	138

\*RATED LUMINAIRE FLUX / RATED LUMINAIRE POWER: Rated data obtained in laboratory.

\*RATED LED FLUX / RATED LED POWER: Rated data extrapolated from LED manufacturer datasheet.

Values indicated in this technical sheet are to be considered rated values. Flux tolerance: ±7%. Power tolerance: ±5%.

Power tolerance with ZHAGA version or power supply D4i/SR: ±10%.

The characteristics of the product listed above are subjected to change without notice.