

GALILEO 3

MAIN CHARACTERISTICS

Applications	Street and architectural lighting.
Optic	ASP / ASC: Multi-focal asymmetric optic with adjustable emission. Colour temperature: 4000K (3000K, 5700K optional), CRI ≥ 70 Photobiological safety class: EXEMPT GROUP LED source efficiency: 168 lm/W @ 525mA, Tj=85°C, 4000K
Insulation class	I
Protection degree	IP66 IK08
LED Modules	Removable / Replaceable optical unit.
Tilt Angle	See dimensional drawings section
Dimensions	
Weight	27.3 kg without fixing flanges.
Exposed surface	Side: 0.14m ² - Top: 0.30m ²
Mounting	Mounting with adjustable integrated flange (See available flanges section).
Gear tray	Integrated. Removable.
Operating temp.	-40°C / +50°C (525mA) -40°C / +35°C (700mA)
Storage temp.	-40°C / +80°C
Main reference standards	EN 60598-1, EN 60598-2-3, EN 60598-2-5, EN 62471, EN 55015, EN 61547, EN 61000-3-2, EN 61000-3-3

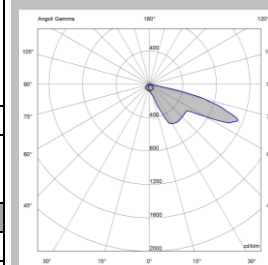


ELECTRICAL CHARACTERISTICS

Rated voltage	220÷240V 50/60Hz (Standard tolerance +/-10%, other voltages and tolerances upon request)
LED current	525mA, 700mA
Power factor	>0,9 (at full load)
Mains connection	Cable H07RN-F 450/750V with quick release connector M/F IP66/68 for cables 3 x 2.5mm ² , Dmax=12mm. Optional: Cable FG7-OR 0.6/1kV
Control system	F: Fixed power not dimmable. DA: Automatic dimming (virtual midnight) with default profile. DAC: Custom DA profile. FLC: Constant light flux. DB: Dual Power with control wire. PLM: Power Line single point communication system. WL: Wireless single point communication system. DALI: Digital dimming interface DALI.
Surge protection	Integrated SPD, 10kV-10kA. Pulse withstand ≥10 / 10kV CM/DM
Optical unit lifetime (Tq=25°C, 700mA)	≥100.000hr L90B10 ≥100.000hr L90, TM-21

MATERIALS

Fixing	Galvanized and painted steel.
Heat-sink	Die-cast aluminium UNI EN1706 with low copper content. Powder painted.
Body	
Gear tray body	
Optic	99.85% aluminium with a surface finish in 99.95% with vacuum-sealed deposition. Alluminum grade class A+ (DIN EN 16268)
Screen	Flat tempered glass, 4mm thickness.
Cable gland	Metallic, M20x1,5 – IP68
Gasket	Polyurethane
Colour	Graphite Cod. 01



ASP-7W Optic

All the published photometrical data has been obtained according to EN 13032-1



LUMINAIRE	OPTIC	LED Current (mA)	RATED LUMINAIRE FLUX ¹ (Tq=25°C, 4000K, lm)	RATED LUMINAIRE POWER ¹ (Tq=25°C, Vin=230Vac, F / DA / DAC, W)	LUMINAIRE EFFICACY (Tq=25°C, lm/W)	RATED LED FLUX ² (Tj=85°C, 4000K, lm)	RATED LED POWER ² (Tj=85°C, W)
GALILEO 3 0F6 4.5-7M	ASC-4W	525	34740	262	133	41309	245
GALILEO 3 0F6 4.5-8M	ASP-4N		38440	302	127	47210	280
GALILEO 3 0F6 4.5-9M	ASP-4W		43030	336	128	53112	315
GALILEO 3 0F6 4.7-7M	ASC-4W	700	42670	350	122	52290	332
GALILEO 3 0F6 4.7-8M	ASP-4N		47130	404	117	59760	380
GALILEO 3 0F6 4.7-9M	ASP-4W		52780	450	117	67230	427
GALILEO 3 0F6 4.5-7M	ASC-5W	525	34110	262	130	41309	245
GALILEO 3 0F6 4.5-8M	ASP-5N		37890	302	125	47210	280
GALILEO 3 0F6 4.5-9M	ASP-5W		42220	336	126	53112	315
GALILEO 3 0F6 4.7-7M	ASC-5W	700	41880	350	120	52290	332
GALILEO 3 0F6 4.7-8M	ASP-5N		46470	404	115	59760	380
GALILEO 3 0F6 4.7-9M	ASP-5W		51790	450	115	67230	427
GALILEO 3 0F6 4.5-7M	ASC-6W	525	33620	262	128	41309	245
GALILEO 3 0F6 4.5-8M	ASP-6N		37350	302	124	47210	280
GALILEO 3 0F6 4.5-9M	ASP-6W		41610	336	124	53112	315
GALILEO 3 0F6 4.7-7M	ASC-6W	700	41280	350	118	52290	332
GALILEO 3 0F6 4.7-8M	ASP-6N		45810	404	113	59760	380
GALILEO 3 0F6 4.7-9M	ASP-6W		51040	450	113	67230	427
GALILEO 3 0F6 4.5-7M	ASC-7W	525	32970	262	126	41309	245
GALILEO 3 0F6 4.5-8M	ASP-7N		36800	302	122	47210	280
GALILEO 3 0F6 4.5-9M	ASP-7W		41000	336	122	53112	315
GALILEO 3 0F6 4.7-7M	ASC-7W	700	40490	350	116	52290	332
GALILEO 3 0F6 4.7-8M	ASP-7N		45130	404	112	59760	380
GALILEO 3 0F6 4.7-9M	ASP-7W		50300	450	112	67230	427

The tables above describe the flux and output power of the available versions. These parameters are necessary in order to guarantee a correct comparison of the luminaire performance. In particular, the luminaire efficiency (expressed in lm/W) must be calculated as the ratio between the output luminous flux of the luminaire and the power absorbed by the input power supply unit. For the sake of completeness the tables also show the data of the nominal flux and power of the used LED.

Note:

1:Rated data obtained in laboratory

2:Rated data extrapolated from LED manufacturer datasheet.

The characteristics of the product listed above are subjected to change without notice.

They will have to be confirmed in case of order.

Values indicated in this technical sheet are to be considered rated values subject to a tolerance of +/-5%

LUMINAIRE	OPTICS	LED Current (mA)	INRUSH CURRENT Duration 50%pk (µs)	INRUSH CURRENT Peak (A)	MCB B-Type 10A / 16A / 25A	MCB C-Type 10A / 16A / 25A	SURGE PROTECTION CL1 (CM / DM, kV)
GALILEO 3 0F6 4.5-7M	ASC-4W	525	330	62	2 / 4 / 7	4 / 7 / 10	10 / 10
GALILEO 3 0F6 4.5-8M	ASP-4N		330	62	2 / 4 / 7	4 / 7 / 10	10 / 10
GALILEO 3 0F6 4.5-9M	ASP-4W		330	62	2 / 4 / 7	4 / 7 / 10	10 / 10
GALILEO 3 0F6 4.7-7M	ASC-4W	700	330	62	2 / 4 / 7	4 / 7 / 10	10 / 10
GALILEO 3 0F6 4.7-8M	ASP-4N		330	62	2 / 4 / 7	4 / 7 / 10	10 / 10
GALILEO 3 0F6 4.7-9M	ASP-4W		330	62	2 / 4 / 7	4 / 7 / 10	10 / 10
GALILEO 3 0F6 4.5-7M	ASC-5W	525	330	62	2 / 4 / 7	4 / 7 / 10	10 / 10
GALILEO 3 0F6 4.5-8M	ASP-5N		330	62	2 / 4 / 7	4 / 7 / 10	10 / 10
GALILEO 3 0F6 4.5-9M	ASP-5W		330	62	2 / 4 / 7	4 / 7 / 10	10 / 10
GALILEO 3 0F6 4.7-7M	ASC-5W	700	330	62	2 / 4 / 7	4 / 7 / 10	10 / 10
GALILEO 3 0F6 4.7-8M	ASP-5N		330	62	2 / 4 / 7	4 / 7 / 10	10 / 10
GALILEO 3 0F6 4.7-9M	ASP-5W		330	62	2 / 4 / 7	4 / 7 / 10	10 / 10
GALILEO 3 0F6 4.5-7M	ASC-6W	525	330	62	2 / 4 / 7	4 / 7 / 10	10 / 10
GALILEO 3 0F6 4.5-8M	ASP-6N		330	62	2 / 4 / 7	4 / 7 / 10	10 / 10
GALILEO 3 0F6 4.5-9M	ASP-6W		330	62	2 / 4 / 7	4 / 7 / 10	10 / 10
GALILEO 3 0F6 4.7-7M	ASC-6W	700	330	62	2 / 4 / 7	4 / 7 / 10	10 / 10
GALILEO 3 0F6 4.7-8M	ASP-6N		330	62	2 / 4 / 7	4 / 7 / 10	10 / 10
GALILEO 3 0F6 4.7-9M	ASP-6W		330	62	2 / 4 / 7	4 / 7 / 10	10 / 10
GALILEO 3 0F6 4.5-7M	ASC-7W	525	330	62	2 / 4 / 7	4 / 7 / 10	10 / 10
GALILEO 3 0F6 4.5-8M	ASP-7N		330	62	2 / 4 / 7	4 / 7 / 10	10 / 10
GALILEO 3 0F6 4.5-9M	ASP-7W		330	62	2 / 4 / 7	4 / 7 / 10	10 / 10
GALILEO 3 0F6 4.7-7M	ASC-7W	700	330	62	2 / 4 / 7	4 / 7 / 10	10 / 10
GALILEO 3 0F6 4.7-8M	ASP-7N		330	62	2 / 4 / 7	4 / 7 / 10	10 / 10
GALILEO 3 0F6 4.7-9M	ASP-7W		330	62	2 / 4 / 7	4 / 7 / 10	10 / 10

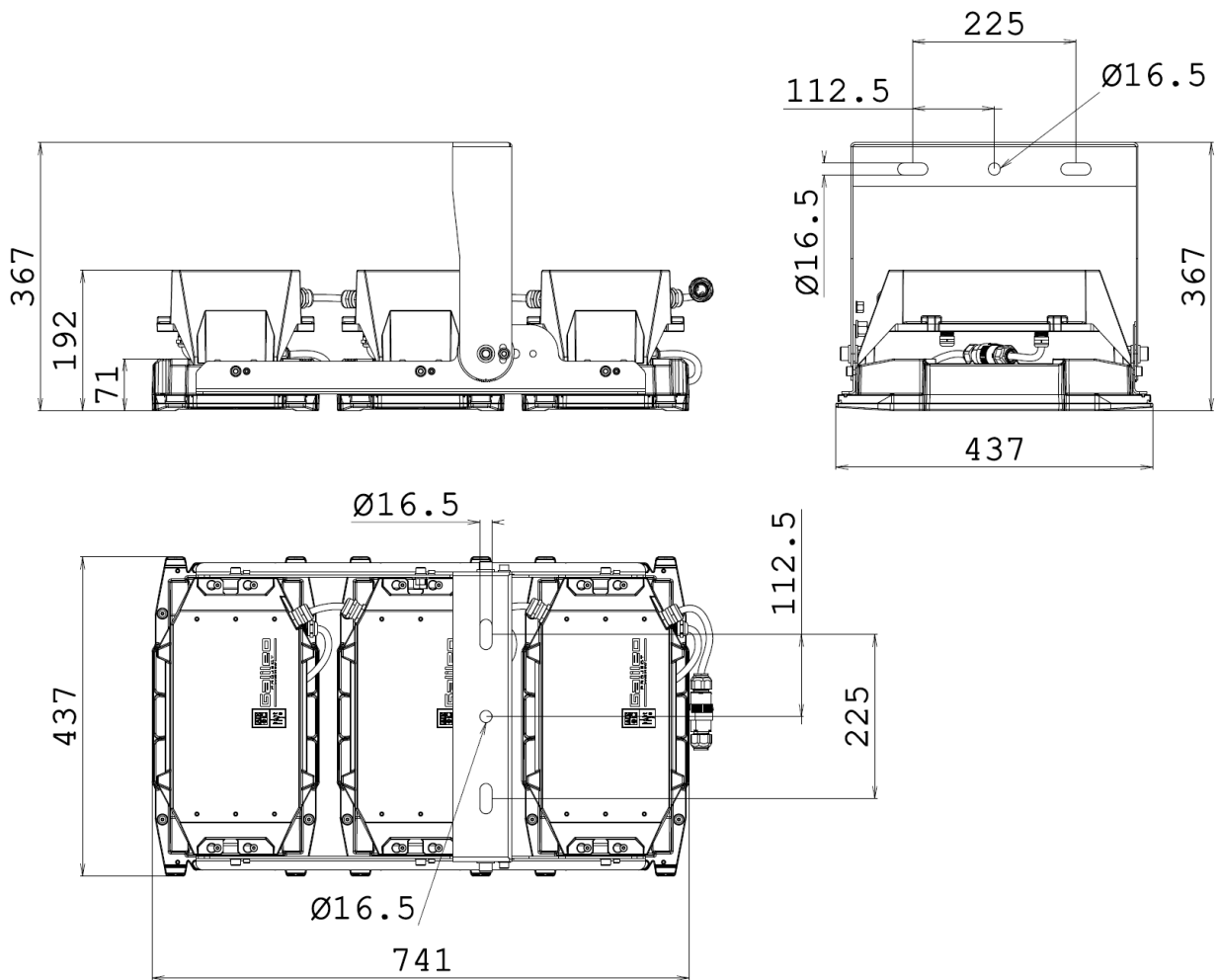
NOTE 1: The number of luminaires under a three-phase MCB is calculated multiplying by 3 the number in the table. These values are based on data declared by power supply manufacturer and tested on worst case MCB model. An inrush current limiter (i.e. Finder SSR 77.11.x.xxx.8250 (15A) or 77.31.x.xxx.8050 model (30A)) can improve the max.number of luminaire under the MCB

NOTE 2: Power supply manufacturer never did any considerations about 50A or 63A MCB. So we can't declare anything about using of MCB higher than 25A.



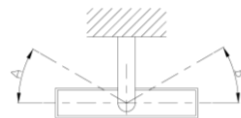
GALILEO 3

DIMENSIONAL DRAWINGS



AVAILABLE FIXING FLANGES

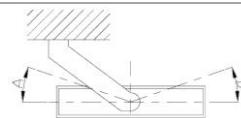
BRACKET C – STANDARD



A = 15°
B = 15°

2.3 kg

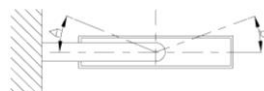
BRACKET D – OPTIONAL



A = 25°
B = 25°

5.3 kg

BRACKET E – OPTIONAL



A = 5°
B = 15°

3.3 kg