

GALILEO 2

MAIN CHARACTERISTICS

Applications	Street and architectural lighting.
Optic	ASP / ASC: Multi-focal asymmetric optic with adjustable emission. STE: Asymmetrical optic for street lighting (suburban). STW: Asymmetrical optic for wide roads and wet asphalts lighting. Colour temperature: 4000K (3000K, 5700K optional), CRI ≥ 70 Photobiological safety class: EXEMPT GROUP LED source efficiency: 168 lm/W @ 525mA, Tj=85°C, 4000K
Insulation class	I
Protection degree	IP66 IK08
LED Modules	Removable / Replaceable optical unit.
Tilt Angle	See dimensional drawings section
Dimensions	
Weight	18 kg without fixing flanges
Exposed surface	Side: 0.10m ² - Top: 0.20m ²
Mounting	Mounting with adjustable integrated flange (See available flanges section)
Gear tray	Integrated. Removable
Operating temp.	-40°C / +50°C (525mA) -40°C / +35°C (700mA)
Storage temp.	-40°C / +80°C
Main reference standards	EN 60598-1, EN 60598-2-3, EN 60598-2-5, EN 62471, EN 55015, EN 61547, EN 61000-3-2, EN 61000-3-3

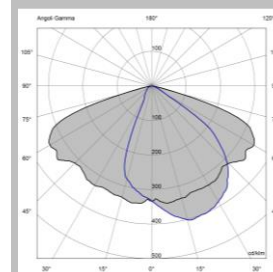


ELECTRICAL CHARACTERISTICS

Rated voltage	220-240V 50/60Hz <i>(Standard tolerance +/-10%, other voltages and tolerances upon request)</i>
LED current	525mA, 700mA
Power factor	>0,9 (at full load)
Mains connection	Cable H07RN-F 450/750V with quick release connector M/F IP66/68 for cables 3 x 2.5mm ² , Dmax=12mm Optional: Cable FG7-OR 0.6/1kV
Control system	F: Fixed power not dimmable. DA: Automatic dimming (virtual midnight) with default profile. DAC: Custom DA profile. FLC: Constant light flux. DB: Dual Power with control wire. PLM: Power Line single point communication system. WL: Wireless single point communication system. DALI: Digital dimming interface DALI.
Surge protection	SPD integrated 10kV-10kA, type II, with LED signal and thermo fuse to disconnect load at the end of life.
Optical unit lifetime (Tq=25°C, 700mA)	≥100.000hr L90B10 ≥100.000hr L90, TM-21

MATERIALS

Fixing	Galvanized and painted steel.
Heat-sink	Die-cast aluminium UNI EN1706 with low copper content. Powder painted.
Body	
Gear tray body	
Optic	99.85% aluminium with a surface finish in 99.95% with vacuum-sealed deposition. Aluminum grade class A+ (DIN EN 16268)
Screen	Flat tempered glass, 4mm thickness.
Cable gland	Metallic, M20x1,5 – IP68
Gasket	Polyurethane
Colour	Graphite cod. 01



STE-M Optic

All the published photometrical data has been obtained according to EN 13032-1

ASYMMETRICAL OPTIC

LUMINAIRE	OPTIC	LED Current (mA)	RATED LUMINAIRE FLUX ¹ (Tq=25°C, 4000K, lm)	RATED LUMINAIRE POWER ¹ (Tq=25°C, Vin=230Vac, F/DA/DAC W)	LUMINAIRE EFFICACY (Tq=25°C, lm/W)	RATED LED FLUX ² (Tj=85°C, 4000K, lm)	RATED LED POWER ² (Tj=85°C, W)
GALILEO 2 0F6 4.5-4M	ASC-4W ASP-4N ASP-4W	525	20440	150	136	23605	140
GALILEO 2 0F6 4.5-5M			24470	190	129	29507	175
GALILEO 2 0F6 4.5-6M			29240	224	131	35408	210
GALILEO 2 0F6 4.7-4M	ASC-4W ASP-4N ASP-4W	700	25160	201	125	29880	190
GALILEO 2 0F6 4.7-5M			30060	254	118	37350	237
GALILEO 2 0F6 4.7-6M			35910	300	120	44820	285
GALILEO 2 0F6 4.5-4M	ASC-5W ASP-5N ASP-5W	525	20060	150	134	23605	140
GALILEO 2 0F6 4.5-5M			24130	190	127	29507	175
GALILEO 2 0F6 4.5-6M			28690	224	128	35408	210
GALILEO 2 0F6 4.7-4M	ASC-5W ASP-5N ASP-5W	700	24700	201	123	29880	190
GALILEO 2 0F6 4.7-5M			29630	254	117	37350	237
GALILEO 2 0F6 4.7-6M			35230	300	117	44820	285
GALILEO 2 0F6 4.5-4M	ASC-6W ASP-6N ASP-6W	525	19770	150	132	23605	140
GALILEO 2 0F6 4.5-5M			23780	190	125	29507	175
GALILEO 2 0F6 4.5-6M			28280	224	126	35408	210
GALILEO 2 0F6 4.7-4M	ASC-6W ASP-6N ASP-6W	700	24340	201	121	29880	190
GALILEO 2 0F6 4.7-5M			29200	254	115	37350	237
GALILEO 2 0F6 4.7-6M			34730	300	116	44820	285
GALILEO 2 0F6 4.5-4M	ASC-7W ASP-7N ASP-7W	525	19390	150	129	23605	140
GALILEO 2 0F6 4.5-5M			23440	190	123	29507	175
GALILEO 2 0F6 4.5-6M			27870	224	124	35408	210
GALILEO 2 0F6 4.7-4M	ASC-7W ASP-7N ASP-7W	700	23880	201	119	29880	190
GALILEO 2 0F6 4.7-5M			28780	254	113	37350	237
GALILEO 2 0F6 4.7-6M			34220	300	114	44820	285

STREET OPTIC

LUMINAIRE	OPTICS	LED Current (mA)	RATED LUMINAIRE FLUX ¹ (Tq=25°C, 4000K, lm)	RATED LUMINAIRE POWER ¹ (Tq=25°C, Vin=230Vac, F/DA/DAC W)	LUMINAIRE EFFICACY (Tq=25°C, lm/W)	RATED LED FLUX ² (Tj=85°C, 4000K, lm)	RATED LED POWER ² (Tj=85°C, W)
GALILEO 2 0F3 4.5-8M	STE-S STE-M STW	525	20030	150	134	23605	140
GALILEO 2 0F3 4.5-10M			25190	188	134	29507	175
GALILEO 2 0F3 4.5-12M			30310	227	134	35408	210
GALILEO 2 0F3 4.7-8M		700	25180	201	125	29880	190
GALILEO 2 0F3 4.7-10M			31710	253	125	37350	237
GALILEO 2 0F3 4.7-12M			38080	304	125	44820	285

The tables above describe the flux and output power of the available versions. These parameters are necessary in order to guarantee a correct comparison of the luminaire performance. In particular, the luminaire efficiency (expressed in lm/W) must be calculated as the ratio between the output luminous flux of the luminaire and the power absorbed by the input power supply unit.

For the sake of completeness the tables also show the data of the nominal flux and power of the used LED.

Note:

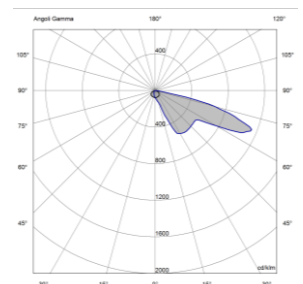
1:Rated data obtained in laboratory

2:Rated data extrapolated from LED manufacturer datasheet.

The characteristics of the product listed above are subjected to change without notice.

They will have to be confirmed in case of order.

Values indicated in this technical sheet are to be considered rated values subject to a tolerance of +/-5%



ASP-7W Optic

All the published photometrical data has been obtained according to EN 13032-1



LUMINAIRE	OPTICS	LED Current (mA)	INRUSH CURRENT Duration 50%pk (µs)	INRUSH CURRENT Peak (A)	MCB B-Type 10A / 16A / 25A	MCB C-Type 10A / 16A / 25A	SURGE PROTECTION CL.I (CM / DM, kV)
GALILEO 2 0F6 4.5-4M	ASC-4W ASP-4N ASP-4W	525	210	57	3 / 6 / 10	6 / 10 / 16	10 / 10
GALILEO 2 0F6 4.5-5M			330	62	2 / 4 / 7	4 / 7 / 10	10 / 10
GALILEO 2 0F6 4.5-6M			330	62	2 / 4 / 7	4 / 7 / 10	10 / 10
GALILEO 2 0F6 4.7-4M	ASC-4W ASP-4N ASP-4W	700	330	62	2 / 4 / 7	4 / 7 / 10	10 / 10
GALILEO 2 0F6 4.7-5M			330	62	2 / 4 / 7	4 / 7 / 10	10 / 10
GALILEO 2 0F6 4.7-6M			330	62	2 / 4 / 7	4 / 7 / 10	10 / 10
GALILEO 2 0F6 4.5-4M	ASC-5W ASP-5N ASP-5W	525	210	57	3 / 6 / 10	6 / 10 / 16	10 / 10
GALILEO 2 0F6 4.5-5M			330	62	2 / 4 / 7	4 / 7 / 10	10 / 10
GALILEO 2 0F6 4.5-6M			330	62	2 / 4 / 7	4 / 7 / 10	10 / 10
GALILEO 2 0F6 4.7-4M	ASC-5W ASP-5N ASP-5W	700	330	62	2 / 4 / 7	4 / 7 / 10	10 / 10
GALILEO 2 0F6 4.7-5M			330	62	2 / 4 / 7	4 / 7 / 10	10 / 10
GALILEO 2 0F6 4.7-6M			330	62	2 / 4 / 7	4 / 7 / 10	10 / 10
GALILEO 2 0F6 4.5-4M	ASC-6W ASP-6N ASP-6W	525	210	57	3 / 6 / 10	6 / 10 / 16	10 / 10
GALILEO 2 0F6 4.5-5M			330	62	2 / 4 / 7	4 / 7 / 10	10 / 10
GALILEO 2 0F6 4.5-6M			330	62	2 / 4 / 7	4 / 7 / 10	10 / 10
GALILEO 2 0F6 4.7-4M	ASC-6W ASP-6N ASP-6W	700	330	62	2 / 4 / 7	4 / 7 / 10	10 / 10
GALILEO 2 0F6 4.7-5M			330	62	2 / 4 / 7	4 / 7 / 10	10 / 10
GALILEO 2 0F6 4.7-6M			330	62	2 / 4 / 7	4 / 7 / 10	10 / 10
GALILEO 2 0F6 4.5-4M	ASC-7W ASP-7N ASP-7W	525	210	57	3 / 6 / 10	6 / 10 / 16	10 / 10
GALILEO 2 0F6 4.5-5M			330	62	2 / 4 / 7	4 / 7 / 10	10 / 10
GALILEO 2 0F6 4.5-6M			330	62	2 / 4 / 7	4 / 7 / 10	10 / 10
GALILEO 2 0F6 4.7-4M	ASC-7W ASP-7N ASP-7W	700	330	62	2 / 4 / 7	4 / 7 / 10	10 / 10
GALILEO 2 0F6 4.7-5M			330	62	2 / 4 / 7	4 / 7 / 10	10 / 10
GALILEO 2 0F6 4.7-6M			330	62	2 / 4 / 7	4 / 7 / 10	10 / 10

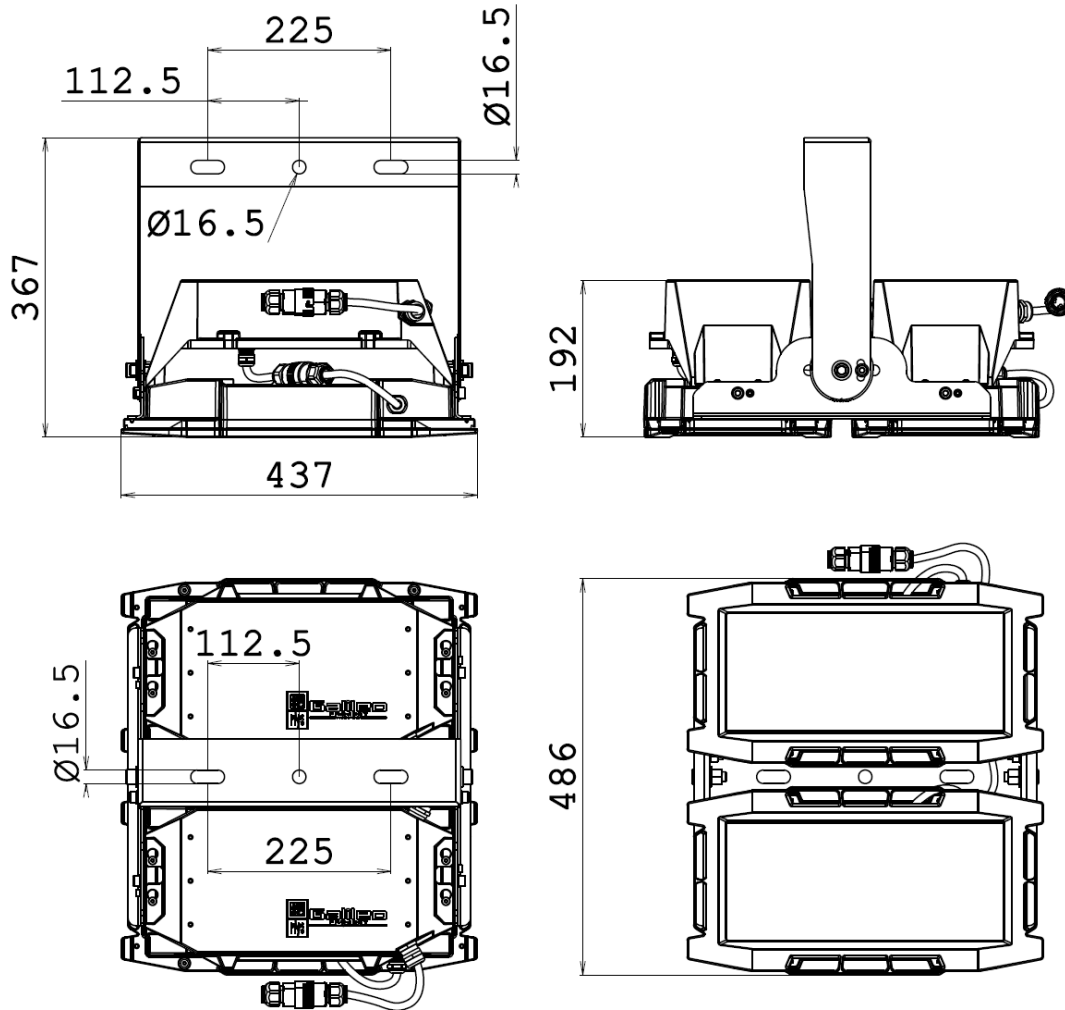
LUMINAIRE	OPTICS	LED Current (mA)	INRUSH CURRENT Duration 50%pk (µs)	INRUSH CURRENT Peak (A)	MCB B-Type 10A / 16A / 25A	MCB C-Type 10A / 16A / 25A	SURGE PROTECTION CL.I (CM / DM, kV)
GALILEO 2 0F3 4.5-8M	STE-S STE-M STW	525	210	57	3 / 6 / 10	6 / 10 / 16	10 / 10
GALILEO 2 0F3 4.5-10M			330	62	2 / 4 / 7	4 / 7 / 10	10 / 10
GALILEO 2 0F3 4.5-12M			330	62	2 / 4 / 7	4 / 7 / 10	10 / 10
GALILEO 2 0F3 4.7-8M		700	330	62	2 / 4 / 7	4 / 7 / 10	10 / 10
GALILEO 2 0F3 4.7-10M			330	62	2 / 4 / 7	4 / 7 / 10	10 / 10
GALILEO 2 0F3 4.7-12M			330	62	2 / 4 / 7	4 / 7 / 10	10 / 10

NOTE 1: The number of luminaires under a three-phase MCB is calculated multiplying by 3 the number in the table. These values are based on data declared by power supply manufacturer and tested on worst case MCB model. An inrush current limiter (i.e. Finder SSR 77.11.x.xxx.8250 (15A) or 77.31.x.xxx.8050 model (30A)) can improve the max.number of luminaire under the MCB

NOTE 2: Power supply manufacturer never did any considerations about 50A or 63A MCB. So we can't declare anything about using of MCB higher than 25A.

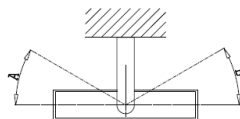


GALILEO 2
DIMENSIONAL DRAWINGS



AVAILABLE FIXING FLANGES

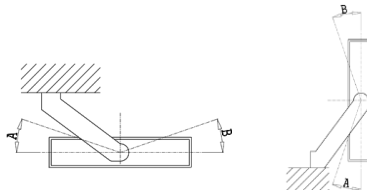
BRACKET C – STANDARD



A = 15°
B = 15°

2.3 kg

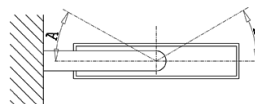
BRACKET D – OPTIONAL



A = 25°
B = 25°

5.3 kg

BRACKET E – OPTIONAL



A = 5°
B = 15°

3.3 kg

