

GALILEO 1

MAIN CHARACTERISTICS

Applications	Street and architectural lighting.
Optic	ASP / ASC: Asymmetrical optics for floodlighting. STU-M/S: Asymmetrical optic for street, urban and cycle-path lighting. STE-M/S: Asymmetrical optic for suburban street lighting. STW: Asymmetrical optic for wide urban and suburban road lighting, specific for wet asphalts. S05: Asymmetrical optic for street, urban and green areas lighting. Colour temperature: 4000K (3000K optional) CRI ≥ 70 Photobiological safety class: EXEMPT GROUP LED source efficiency: 168 lm/W @ 525mA, Tj=85°C, 4000K
Insulation class	II, I
Protection degree	IP66 IK08
LED Modules	Removable / Replaceable optical unit.
Tilt Angle	<i>See dimensional drawings section</i>
Dimensions	
Weight	
Exposed surface	
Mounting	
Gear tray	Integrated. Removable.
Operating temp.	-40°C / +50°C (525mA) -40°C / +35°C (700mA)
Storage temp.	-40°C / +80°C
Main reference standards	EN 60598-1, EN 60598-2-3, EN 60598-2-5, EN 62471, EN 55015, EN 61547, EN 61000-3-2, EN 61000-3-3



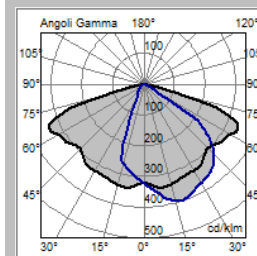
ELECTRICAL CHARACTERISTICS

Rated voltage	220÷240V 50/60Hz (Standard tolerance +/-10%, other voltages and tolerances upon request)
Power factor	>0,9 (at full load)
Mains connection	Cable H07RN-F nx1.5mm ² Optional: connector M/F IP66/68 for cables max. 2,5mm ² , Ø max. 14mm
Surge protection	Up to 10kV With SPD (optional) 10kV / 10kV CM/DM
SPD (optional)	10kV-10kA, type II, with LED signal and thermo fuse to disconnect load at the end of life.

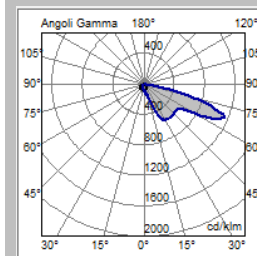
Control system (options)	F: Fixed power not dimmable. DA: Automatic dimming (virtual midnight) with default profile. DAC: Custom DA profile. FLC: Constant light flux. DB: Dual Power with control wire. WL: Wireless single point communication system. DALI: Digital dimming interface DALI.
Optical unit lifetime (Tq=25°C, 700mA)	>100.000hr L90B10 >100.000hr L90, TM-21

MATERIALS

Fixing	Galvanized and painted steel.
Heat-sink	Die-cast aluminium UNI EN1706 with low copper content.
Body	Powder painted.
Optic	99.85% aluminium with a surface finish in 99.95% with vacuum-sealed deposition. Alluminium grade class A+ (DIN EN 16268)
Screen	Flat tempered glass, 4mm thickness, high transparency.
Cable gland	Metallic, M20x1,5 – IP68
Gasket	Polyurethane
Colour	Graphite - Cod. 01



STE-M Optic



ASP-7W Optic

All the published photometrical data has been obtained according to EN 13032-1

GALILEO 1

1 MODULE ASP / ASC

2 MODULES STE / STU / STW / S05

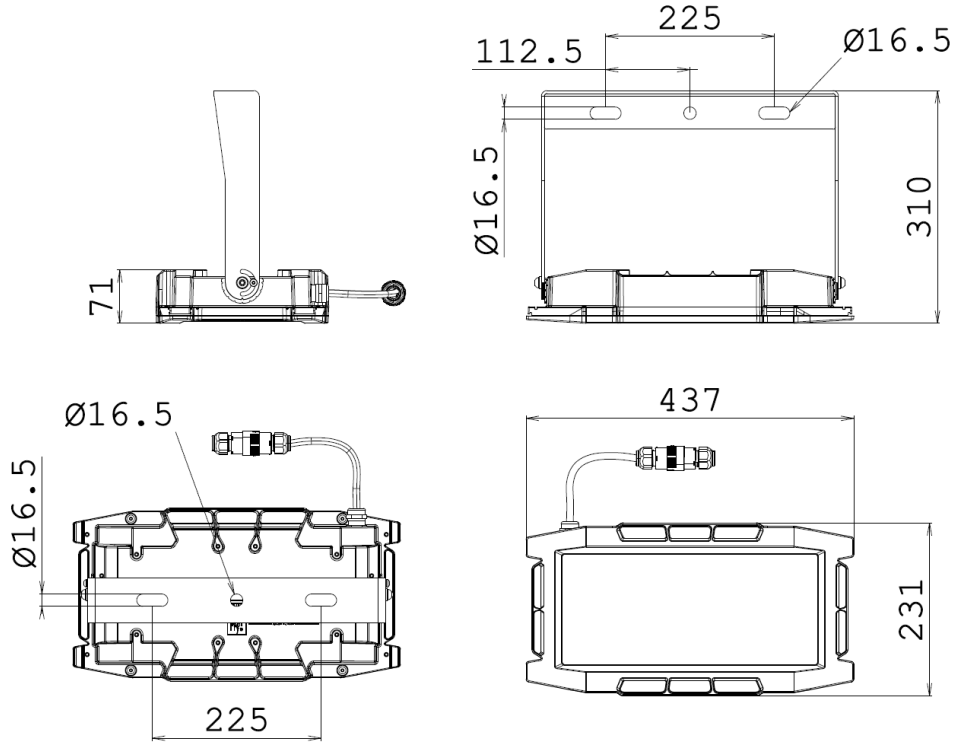
Product sheet

DIMENSIONAL DRAWINGS

WEIGHT WITHOUT FIXING FLANGES: 4.3 kg

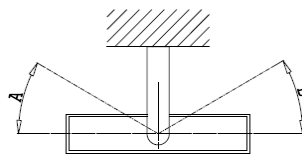
SIDE SURFACE: 0.03 m²

TOP SURFACE: 0.1 m²



AVAILABLE FIXING FLANGES

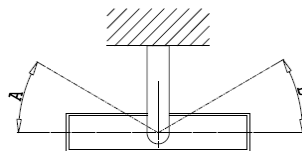
BRACKET A - STANDARD



A = 90°
B = 90°

1.6 kg

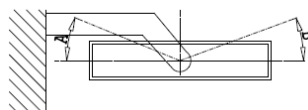
BRACKET B - OPTIONAL



A = 10°
B = 10°

0.6 kg

BRACKET G - OPTIONAL



A = 20°
B = 85°

1.3 kg



GALILEO 1

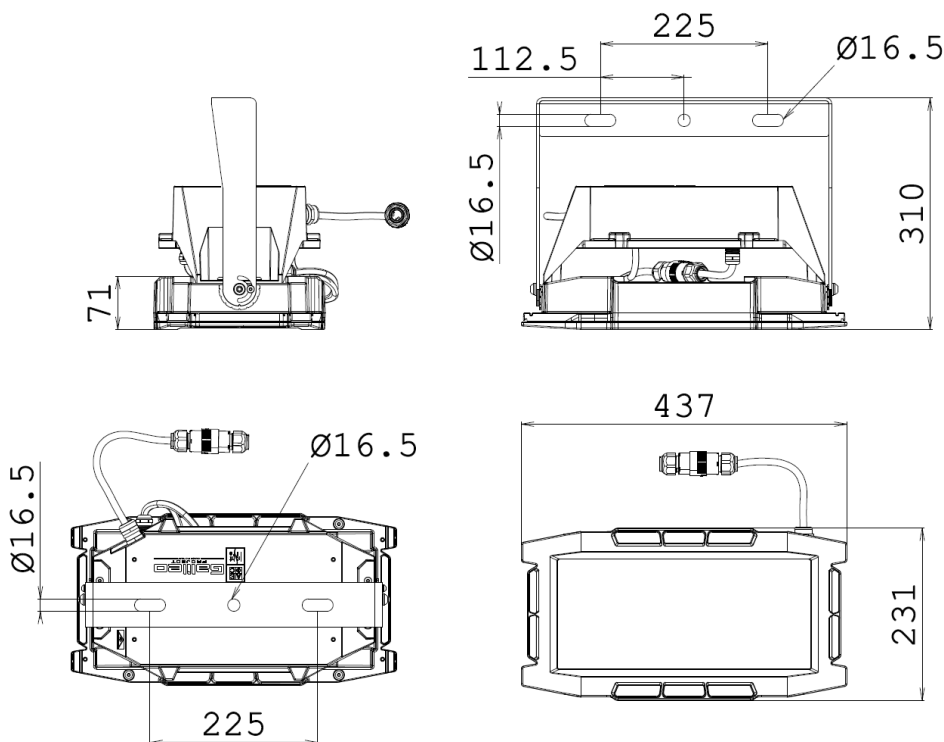
2 / 3 MODULE ASP / ASC

4 / 6 MODULES STE / STU / STW / S05

Product sheet

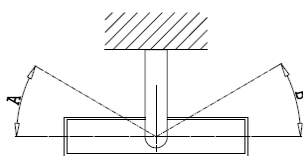
DIMENSIONAL DRAWINGS

WEIGHT WITHOUT FIXING FLANGES: 8.3 kg
SIDE SURFACE: 0.06 m²
TOP SURFACE: 0.1 m²



AVAILABLE FIXING FLANGES

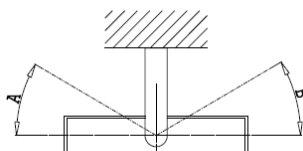
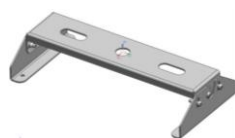
BRACKET A - STANDARD



A = 90°
B = 90°

1.6 kg

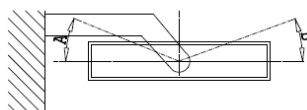
BRACKET B - OPTIONAL



A = 10°
B = 10°

0.6 kg

BRACKET G - OPTIONAL



A = 20°
B = 85°

1.3 kg





LUMINAIRE	OPTIC	RATED LUMINAIRE FLUX* (Tq=25°C, 4000K, lm)	RATED LUMINAIRE POWER* (Tq=25°C, Vin=230Vac, F/DA/DAC, W)	LUMINAIRE EFFICACY (Tq=25°C, lm/W)	RATED LED FLUX* (Tj=85°C, 4000K, lm)	RATED LED POWER* (Tj=85°C, W)
Galileo 1 0F2H1 4.5-2M	S05	3690	30.5	120	4368	26
Galileo 1 0F2H1 4.5-4M	STU-M	7150	57	125	8736	52
Galileo 1 0F2H1 4.5-6M	STU-S	11110	85	130	13104	78
Galileo 1 0F2H1 4.7-2M	S05	4720	40	118	5530	36
Galileo 1 0F2H1 4.7-4M	STU-M	8990	76	118	11060	72
Galileo 1 0F2H1 4.7-6M	STU-S	14070	114	123	16590	108
Galileo 1 0F3 4.5-2M	STE-M	5160	39	132	5900	34
Galileo 1 0F3 4.5-4M	STE-S	9950	76	130	11800	68
Galileo 1 0F3 4.5-6M	STW	15170	112	135	17700	102
Galileo 1 0F3 4.7-2M	STE-M	6530	52	125	7470	48
Galileo 1 0F3 4.7-4M	STE-S	12550	102	123	14940	96
Galileo 1 0F3 4.7-6M	STW	19040	150	126	22410	144
Galileo 1 0F6 4.5-1M	ASC-4W	5120	39	131	5901	35
Galileo 1 0F6 4.5-2M	ASP-4N	10080	76	132	11802	70
Galileo 1 0F6 4.5-3M	ASP-4W	15050	112	134	17703	105
Galileo 1 0F6 4.7-1M	ASC-4W	6410	52	123	7470	47
Galileo 1 0F6 4.7-2M	ASP-4N	12600	102	123	14940	94
Galileo 1 0F6 4.7-3M	ASP-4W	18530	150	123	22410	141
Galileo 1 0F6 4.5-1M	ASC-5W	5030	39	128	5901	35
Galileo 1 0F6 4.5-2M	ASP-5N	9900	76	130	11802	70
Galileo 1 0F6 4.5-3M	ASP-5W	14770	112	131	17703	105



LUMINAIRE	OPTIC	RATED LUMINAIRE FLUX* (Tq=25°C, 4000K, lm)	RATED LUMINAIRE POWER* (Tq=25°C, Vin=230Vac, F/DA/DAC, W)	LUMINAIRE EFFICACY (Tq=25°C, lm/W)	RATED LED FLUX* (Tj=85°C, 4000K, lm)	RATED LED POWER* (Tj=85°C, W)
Galileo 1 0F6 4.7-1M	ASC-5W	6290	52	120	7470	47
Galileo 1 0F6 4.7-2M	ASP-5N	12370	102	121	14940	94
Galileo 1 0F6 4.7-3M	ASP-5W	18190	150	121	22410	141
Galileo 1 0F6 4.5-1M	ASC-6W	4950	39	126	5901	35
Galileo 1 0F6 4.5-2M	ASP-6N	9760	76	128	11802	70
Galileo 1 0F6 4.5-3M	ASP-6W	14560	112	130	17703	105
Galileo 1 0F6 4.7-1M	ASC-6W	6210	52	119	7470	47
Galileo 1 0F6 4.7-2M	ASP-6N	12190	102	119	14940	94
Galileo 1 0F6 4.7-3M	ASP-6W	17920	150	119	22410	141
Galileo 1 0F6 4.5-1M	ASC-7W	4860	39	124	5901	35
Galileo 1 0F6 4.5-2M	ASP-7N	9570	76	125	11802	70
Galileo 1 0F6 4.5-3M	ASP-7W	14340	112	128	17703	105
Galileo 1 0F6 4.7-1M	ASC-7W	6090	52	117	7470	47
Galileo 1 0F6 4.7-2M	ASP-7N	11960	102	117	14940	94
Galileo 1 0F6 4.7-3M	ASP-7W	17660	150	117	22410	141

*RATED LUMINAIRE FLUX / RATED LUMINAIRE POWER: Rated data obtained in laboratory.

*RATED LED FLUX / RATED LED POWER: Rated data extrapolated from LED manufacturer datasheet.

Values indicated in this technical sheet are to be considered rated values. Flux tolerance: ±7%. Power tolerance: ±5%.

The characteristics of the product listed above are subjected to change without notice.



LUMINAIRE	OPTIC	RATED LUMINAIRE FLUX* (Tq=25°C, 3000K, lm)	RATED LUMINAIRE POWER* (Tq=25°C, Vin=230Vac, F/DA/DAC, W)	LUMINAIRE EFFICACY (Tq=25°C, lm/W)	RATED LED FLUX* (Tj=85°C, 3000K, lm)	RATED LED POWER* (Tj=85°C, W)
Galileo 1 0F2H1 3.5-2M	S05	3430	30.5	112	3980	26
Galileo 1 0F2H1 3.5-4M	STU-M	6650	57	116	7960	52
Galileo 1 0F2H1 3.5-6M	STU-S	10330	85	121	11940	78
Galileo 1 0F2H1 3.7-2M	S05	4390	40	109	5040	36
Galileo 1 0F2H1 3.7-4M	STU-M	8360	76	110	10080	72
Galileo 1 0F2H1 3.7-6M	STU-S	13090	114	114	15120	108
Galileo 1 0F3 3.5-2M	STE-M	4800	39	123	5402	34
Galileo 1 0F3 3.5-4M	STE-S	9250	76	121	10804	68
Galileo 1 0F3 3.5-6M	STW	14110	112	125	16206	102
Galileo 1 0F3 3.7-2M	STE-M	6070	52	116	6840	48
Galileo 1 0F3 3.7-4M	STE-S	11670	102	114	13680	96
Galileo 1 0F3 3.7-6M	STW	17710	150	118	20520	144
Galileo 1 0F6 3.5-1M	ASC-4W	4760	39	122	5190	35
Galileo 1 0F6 3.5-2M	ASP-4N	9370	76	123	10380	70
Galileo 1 0F6 3.5-3M	ASP-4W	14000	112	125	15570	105
Galileo 1 0F6 3.7-1M	ASC-4W	5960	52	114	6570	47
Galileo 1 0F6 3.7-2M	ASP-4N	11720	102	114	13140	94
Galileo 1 0F6 3.7-3M	ASP-4W	17230	150	114	19710	141
Galileo 1 0F6 3.5-1M	ASC-5W	4680	39	120	5190	35
Galileo 1 0F6 3.5-2M	ASP-5N	9210	76	121	10380	70
Galileo 1 0F6 3.5-3M	ASP-5W	13740	112	122	15570	105



LUMINAIRE	OPTIC	RATED LUMINAIRE FLUX* (Tq=25°C, 3000K, lm)	RATED LUMINAIRE POWER* (Tq=25°C, Vin=230Vac, F/DA/DAC, W)	LUMINAIRE EFFICACY (Tq=25°C, lm/W)	RATED LED FLUX* (Tj=85°C, 3000K, lm)	RATED LED POWER* (Tj=85°C, W)
Galileo 1 0F6 3.7-1M	ASC-5W	5850	52	112	6570	47
Galileo 1 0F6 3.7-2M	ASP-5N	11500	102	112	13140	94
Galileo 1 0F6 3.7-3M	ASP-5W	16920	150	112	19710	141
Galileo 1 0F6 3.5-1M	ASC-6W	4600	39	117	5190	35
Galileo 1 0F6 3.5-2M	ASP-6N	9080	76	119	10380	70
Galileo 1 0F6 3.5-3M	ASP-6W	13540	112	120	15570	105
Galileo 1 0F6 3.7-1M	ASC-6W	5780	52	111	6570	47
Galileo 1 0F6 3.7-2M	ASP-6N	11340	102	111	13140	94
Galileo 1 0F6 3.7-3M	ASP-6W	16670	150	111	19710	141
Galileo 1 0F6 3.5-1M	ASC-7W	4520	39	115	5190	35
Galileo 1 0F6 3.5-2M	ASP-7N	8900	76	117	10380	70
Galileo 1 0F6 3.5-3M	ASP-7W	13340	112	119	15570	105
Galileo 1 0F6 3.7-1M	ASC-7W	5660	52	108	6570	47
Galileo 1 0F6 3.7-2M	ASP-7N	11120	102	109	13140	94
Galileo 1 0F6 3.7-3M	ASP-7W	16420	150	109	19710	141

*RATED LUMINAIRE FLUX / RATED LUMINAIRE POWER: Rated data obtained in laboratory.

*RATED LED FLUX / RATED LED POWER: Rated data extrapolated from LED manufacturer datasheet.

Values indicated in this technical sheet are to be considered rated values. Flux tolerance: ±7%. Power tolerance: ±5%.

The characteristics of the product listed above are subjected to change without notice.